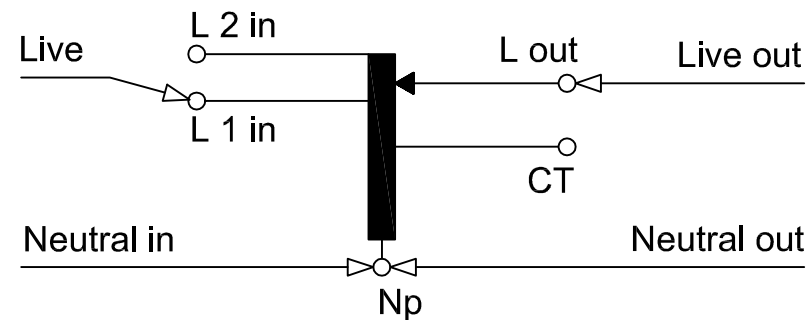
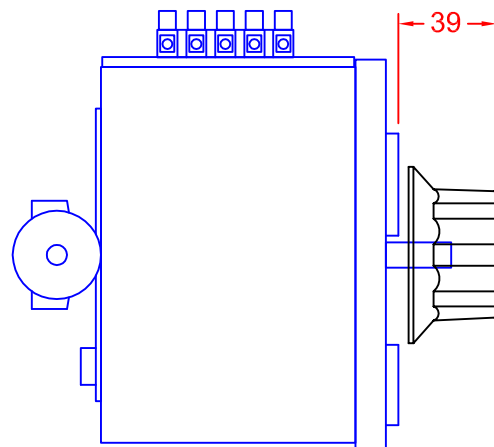
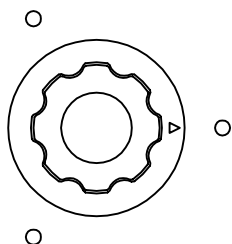
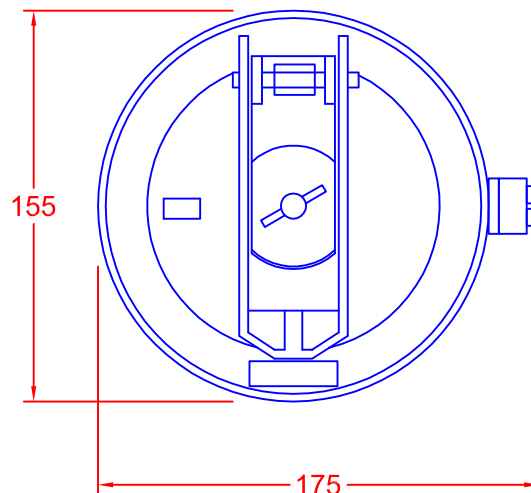
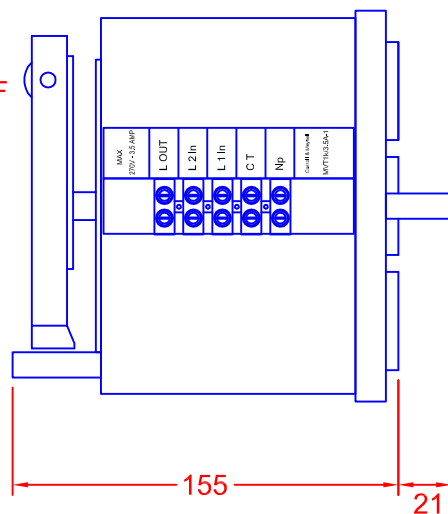
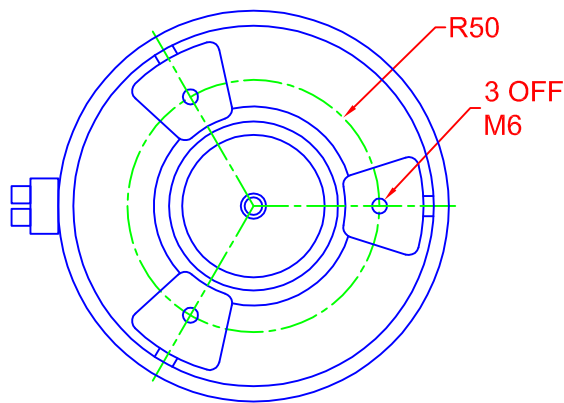


| TOLERANCES<br>(UNLESS SPECIFIED) |        |
|----------------------------------|--------|
| 0-10mm                           | ±0.2mm |
| 10.1-50mm                        | ±0.5mm |
| 50.1-250mm                       | ±1.0mm |
| >250mm                           | ±2.0mm |



**SINGLE PHASE VARIABLE AUTOTRANSFORMER**

**MODEL:** MVT1k/3.5A-1  
**INPUT:** UP TO 240V, 50/60Hz  
**OUTPUT:** 0-100% OF INPUT (USE L 2 in) OR  
 0-112% OF INPUT (USE L 1 in)  
**RATING:** 1.0kVA AT 270V, 3.5A MAX  
**TERMINATION:** CLAMP TYPE, 0.5-4.0mm<sup>2</sup>

| REV |  |
|-----|--|
| 4   |  |
| 3   |  |
| 2   |  |
| 1   |  |

**CARROLL & MEYNELL**  
 TRANSFORMERS LIMITED  
 TEL: 01642 617406 FAX: 01642 614178  
 enquiries@carroll-meynell.com

TITLE  
**VARIABLE TRANSFORMER**  
**3.5A**  
 ALL DIMENSIONS IN mm

| DRAWN   | PROJECTION | DATE     | SCALE |
|---------|------------|----------|-------|
| GB      |            | 22/12/15 | NTS   |
| DRAW No | REV        | PAGE     |       |
| 5779    | 0          | 1/1      |       |