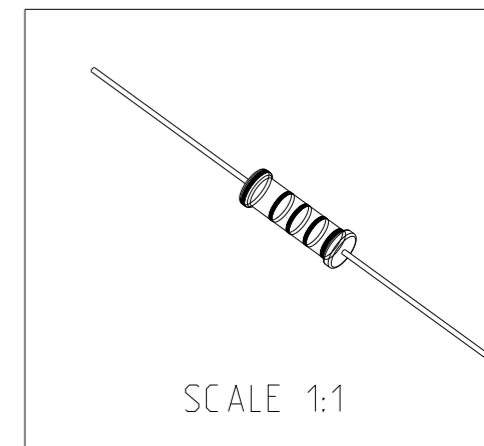
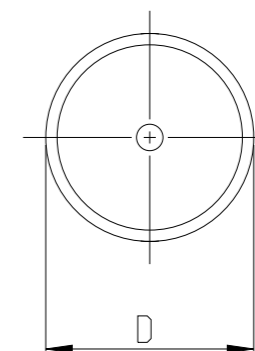
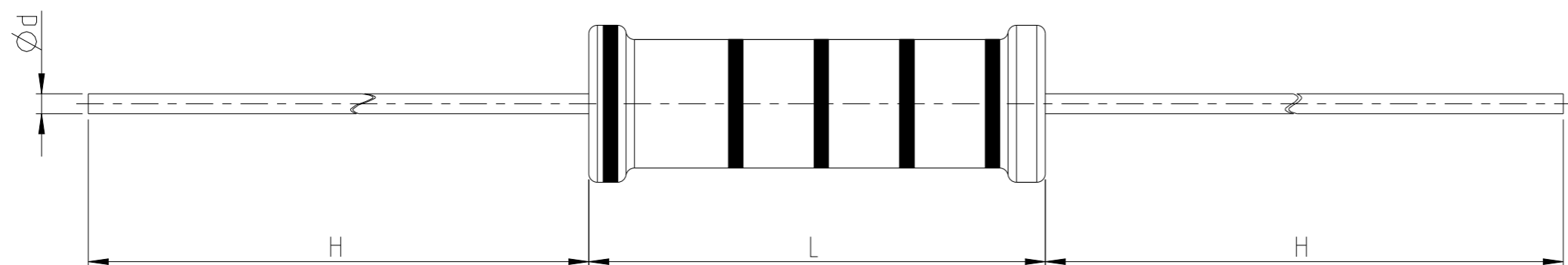



REVISIONS

P	LTR	DESCRIPTION	DATE	DWN	APVD
	BA	INITIAL DRAWING RELEASE	24APR2025	RS	GT

FOR FURTHER INFORMATION SEE DATA SHEET FOR FUSIBLE WIREWOUND FIXED RESISTOR - TYPE FWFU SERIES




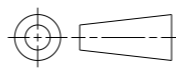
THIS DRAWING IS A CONTROLLED DOCUMENT.		DWN RAMESHA L S 24APR2025	 TE Connectivity	
DIMENSIONS: mm		CHK TRACY G 24APR2025		
TOLERANCES UNLESS OTHERWISE SPECIFIED:		APVD TRACY G 24APR2025	NAME FUSIBLE WIREWOUND FIXED RESISTOR TYPE FWFU 2W SERIES	
0 PLC ± 1 PLC ± 2 PLC ± 3 PLC ± 4 PLC ± ANGLES ±		PRODUCT SPEC -	RESTRICTED TO -	
MATERIAL -		FINISH -	APPLICATION SPEC -	SCALE 5:1
		WEIGHT -	SIZE A3	CAGE CODE 00779
			DRAWING NO C=2176792	SHEET 1 OF 2
		CUSTOMER DRAWING		REV BA

REVISIONS

P	LTR	DESCRIPTION	DATE	DWN	APVD
	-	SEE SHEET 1	-	-	-

SCHEDULE			
TCPN	CATALOGUE NUMBER	PART DESCRIPTION	PART STATUS
2176792-1	FWFU2WR47J	FWFU 2W R47 5%	PRODUCTION
2176792-2	FWFU2WR51J	FWFU 2W R51 5%	PRODUCTION
2176792-3	FWFU2WR56J	FWFU 2W R56 5%	PRODUCTION
2176792-4	FWFU2WR62J	FWFU 2W R62 5%	PRODUCTION
2176792-5	FWFU2WR68J	FWFU 2W R68 5%	PRODUCTION
2176792-6	FWFU2WR75J	FWFU 2W R75 5%	PRODUCTION
2176792-7	FWFU2WR82J	FWFU 2W R82 5%	PRODUCTION
2176792-8	FWFU2WR91J	FWFU 2W R91 5%	PRODUCTION
2176792-9	FWFU2W1R0J	FWFU 2W 1R0 5%	PRODUCTION
1-2176792-0	FWFU2W1R1J	FWFU 2W 1R1 5%	PRODUCTION
1-2176792-1	FWFU2W1R2J	FWFU 2W 1R2 5%	PRODUCTION
1-2176792-2	FWFU2W1R3J	FWFU 2W 1R3 5%	PRODUCTION
1-2176792-3	FWFU2W1R5J	FWFU 2W 1R5 5%	PRODUCTION
1-2176792-4	FWFU2W1R6J	FWFU 2W 1R6 5%	PRODUCTION
1-2176792-5	FWFU2W1R8J	FWFU 2W 1R8 5%	PRODUCTION
1-2176792-6	FWFU2W2R0J	FWFU 2W 2R0 5%	PRODUCTION
1-2176792-7	FWFU2W2R2J	FWFU 2W 2R2 5%	PRODUCTION
1-2176792-8	FWFU2W2R4J	FWFU 2W 2R4 5%	PRODUCTION
1-2176792-9	FWFU2W2R7J	FWFU 2W 2R7 5%	PRODUCTION
2-2176792-0	FWFU2W3R0J	FWFU 2W 3R0 5%	PRODUCTION
2-2176792-1	FWFU2W3R3J	FWFU 2W 3R3 5%	PRODUCTION
2-2176792-2	FWFU2W3R6J	FWFU 2W 3R6 5%	PRODUCTION
2-2176792-3	FWFU2W3R9J	FWFU 2W 3R9 5%	PRODUCTION
2-2176792-4	FWFU2W4R3J	FWFU 2W 4R3 5%	PRODUCTION
2-2176792-5	FWFU2W4R7J	FWFU 2W 4R7 5%	PRODUCTION
2-2176792-6	FWFU2W5R1J	FWFU 2W 5R1 5%	PRODUCTION
2-2176792-7	FWFU2W5R6J	FWFU 2W 5R6 5%	PRODUCTION
2-2176792-8	FWFU2W6R2J	FWFU 2W 6R2 5%	PRODUCTION
2-2176792-9	FWFU2W6R8J	FWFU 2W 6R8 5%	PRODUCTION
3-2176792-0	FWFU2W7R5J	FWFU 2W 7R5 5%	PRODUCTION
3-2176792-1	FWFU2W8R2J	FWFU 2W 8R2 5%	PRODUCTION
3-2176792-2	FWFU2W9R1J	FWFU 2W 9R1 5%	PRODUCTION
3-2176792-3	FWFU2W10RJ	FWFU 2W 10R 5%	PRODUCTION

SCHEDULE			
TCPN	CATALOGUE NUMBER	PART DESCRIPTION	PART STATUS
3-2176792-4	FWFU2W11RJ	FWFU 2W 11R 5%	PRODUCTION
3-2176792-5	FWFU2W12RJ	FWFU 2W 12R 5%	PRODUCTION
3-2176792-6	FWFU2W13RJ	FWFU 2W 13R 5%	PRODUCTION
3-2176792-7	FWFU2W15RJ	FWFU 2W 15R 5%	PRODUCTION
3-2176792-8	FWFU2W16RJ	FWFU 2W 16R 5%	PRODUCTION
3-2176792-9	FWFU2W18RJ	FWFU 2W 18R 5%	PRODUCTION
4-2176792-0	FWFU2W20RJ	FWFU 2W 20R 5%	PRODUCTION
4-2176792-1	FWFU2W22RJ	FWFU 2W 22R 5%	PRODUCTION
4-2176792-2	FWFU2W24RJ	FWFU 2W 24R 5%	PRODUCTION
4-2176792-3	FWFU2W27RJ	FWFU 2W 27R 5%	PRODUCTION
4-2176792-4	FWFU2W30RJ	FWFU 2W 30R 5%	PRODUCTION
4-2176792-5	FWFU2W33RJ	FWFU 2W 33R 5%	PRODUCTION
4-2176792-6	FWFU2W36RJ	FWFU 2W 36R 5%	PRODUCTION
4-2176792-7	FWFU2W39RJ	FWFU 2W 39R 5%	PRODUCTION
4-2176792-8	FWFU2W43RJ	FWFU 2W 43R 5%	PRODUCTION
4-2176792-9	FWFU2W47RJ	FWFU 2W 47R 5%	PRODUCTION
5-2176792-0	FWFU2W51RJ	FWFU 2W 51R 5%	PRODUCTION
5-2176792-1	FWFU2W56RJ	FWFU 2W 56R 5%	PRODUCTION
5-2176792-2	FWFU2W62RJ	FWFU 2W 62R 5%	PRODUCTION
5-2176792-3	FWFU2W68RJ	FWFU 2W 68R 5%	PRODUCTION
5-2176792-4	FWFU2W75RJ	FWFU 2W 75R 5%	PRODUCTION
5-2176792-5	FWFU2W82RJ	FWFU 2W 82R 5%	PRODUCTION
5-2176792-6	FWFU2W91RJ	FWFU 2W 91R 5%	PRODUCTION
5-2176792-7	FWFU2W100RJ	FWFU 2W 100R 5%	PRODUCTION
5-2176792-8	FWFU2W110RJ	FWFU 2W 110R 5%	PRODUCTION
5-2176792-9	FWFU2W120RJ	FWFU 2W 120R 5%	PRODUCTION
6-2176792-0	FWFU2W130RJ	FWFU 2W 130R 5%	PRODUCTION
6-2176792-1	FWFU2W150RJ	FWFU 2W 150R 5%	PRODUCTION
6-2176792-2	FWFU2W160RJ	FWFU 2W 160R 5%	PRODUCTION
6-2176792-3	FWFU2W180RJ	FWFU 2W 180R 5%	PRODUCTION
6-2176792-4	FWFU2W200RJ	FWFU 2W 200R 5%	PRODUCTION
6-2176792-5	FWFU2W220RJ	FWFU 2W 220R 5%	PRODUCTION
6-2176792-6	FWFU2W240RJ	FWFU 2W 240R 5%	PRODUCTION

THIS DRAWING IS A CONTROLLED DOCUMENT.		DWN RAMESHA L S 24APR2025	 TE Connectivity	
DIMENSIONS: mm		CHK TRACY G 24APR2025		
		APVD TRACY G 24APR2025		
TOLERANCES UNLESS OTHERWISE SPECIFIED:		PRODUCT SPEC	NAME FUSIBLE WIREWOUND FIXED RESISTOR TYPE FWFU 2W SERIES	
0 PLC ±		APPLICATION SPEC	SIZE CAGE CODE DRAWING NO RESTRICTED TO	
1 PLC ±		WEIGHT	A3 00779 C-2176792	
2 PLC ±		CUSTOMER DRAWING	SCALE 5:1 SHEET 2 OF 2 REV BA	
3 PLC ±				
4 PLC ±				
ANGLES ±				
MATERIAL				
FINISH				