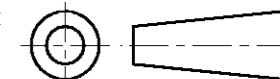


DO NOT SCALE

DIMENSIONS IN mm

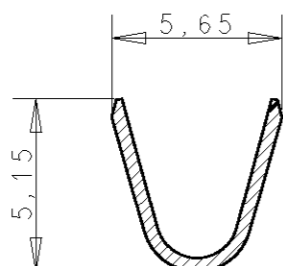
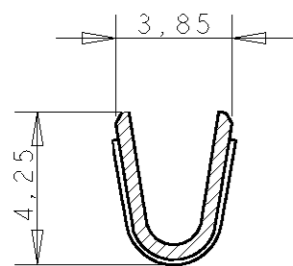
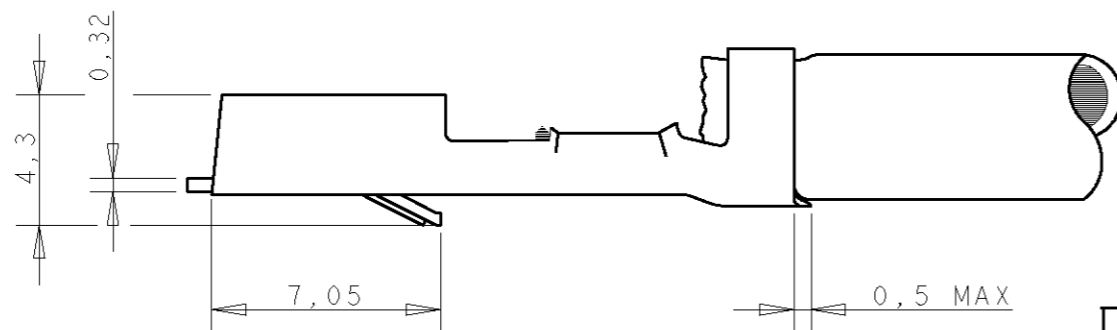
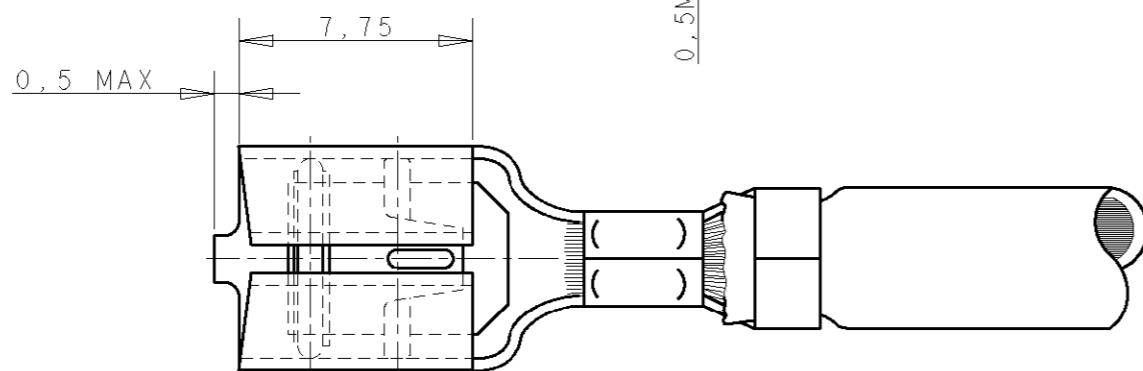
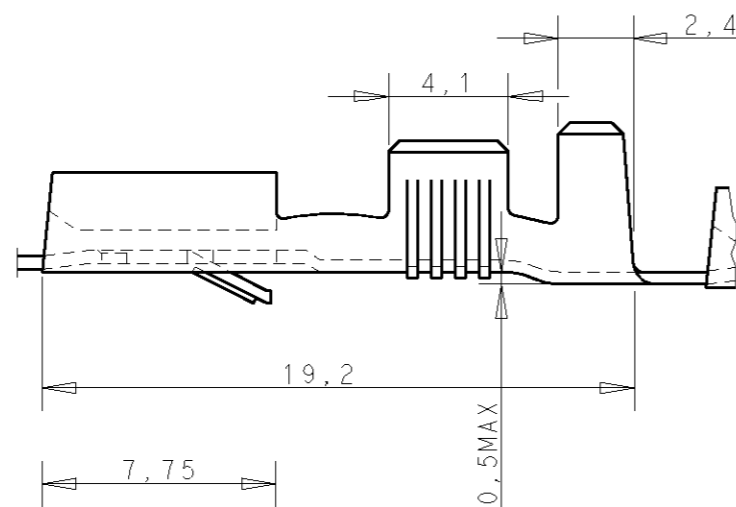
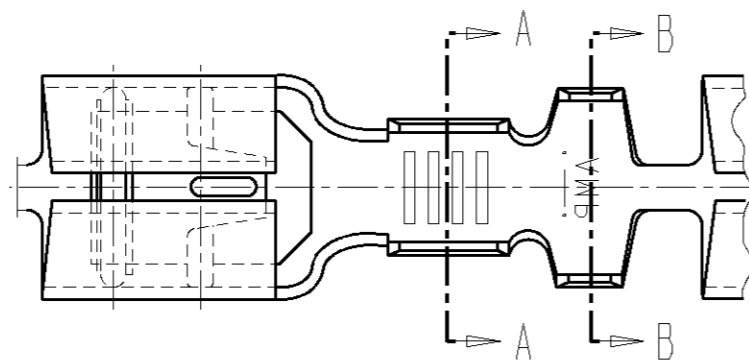
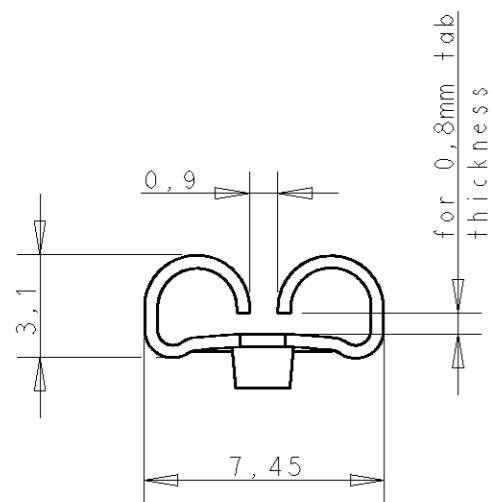
METRIC

THIRD ANGLE
PROJECTION



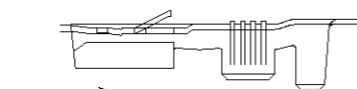
NOTES

- 1 FOR USE ON MINIATURE APPLICATORS (LEFT-RIGHT FEED) AND STANDARD APPLICATORS (RIGHT-LEFT FEED).
- 2 FOR USE ON MINIATURE APPLICATORS (AMP-O-MATOR APPLICATION). (LEFT-RIGHT FEED).



WIRE RANGE :
1,0-2,5 mm²
INSULATION RANGE :
3,4-5,1mm DIA.


DIRECTION OFF TOP OF REEL



Terminal "U" down.

GENERAL TOLERANCES ±0.3

NOTES	FINISH	MATERIAL	PARTNUMBER
1	PRE-TINPLATED	PH.BRONZE	6-160448-8
1	PRE-TINPLATED	BRASS	6-160448-7
1/2	SILVERPLATED	BRASS	6-160448-6
1	TINPLATED	BRASS	6-160448-5
1	SILVERPLATED	PH.BRONZE	6-160448-3
1	TINPLATED	PH.BRONZE	6-160448-2
1	UNPLATED	PH.BRONZE	6-160448-1
1	UNPLATED	BRASS	6-160448-0

REV.	DESCRIPTION	DR.	CHK.	DATE	CUSTOMER DRAWING FOR REFERENCE ONLY WILL NOT BE UPDATED							
-	-	-	-	-		© COPYRIGHT 19- BY AMP HOLLAND B.V. ALL INTERNATIONAL RIGHTS RESERVED. AMP PRODUCTS MAY BE COVERED BY U.S. AND FOREIGN AND/OR PATENTS PENDING. THIS DRAWING IS UNPUBLISHED RELEASED FOR PUBLICATION						
K	ES00-0008-03	JL	JL	17JAN03	 Tyco Electronics AMP Barcelona, Spain NAME .250 SRS FASTIN-ON RECEPTACLE.							
J	ES00-0065-01	JC	JL	19JUN01								
H	ES00-0043-01	JC	RS	23APR01								
G	EH-1454-97	D.K.	R.V.	29 DEC 97								
F	H-9671	JvL	AB	23-03-92								
LTR.	REVISION RECORD	DR.	CHK.	DATE								
DR.:	J.v.LIEMPT.	CHK.:	A.BIJNEN.	APP.:	L.v.SOEST.	DWG.No.	C-160448	REV.LTR.	K	SHEET	1 OF 1	A3
DATE:	23 MAR 1992	DATE:	-	DATE:	-							