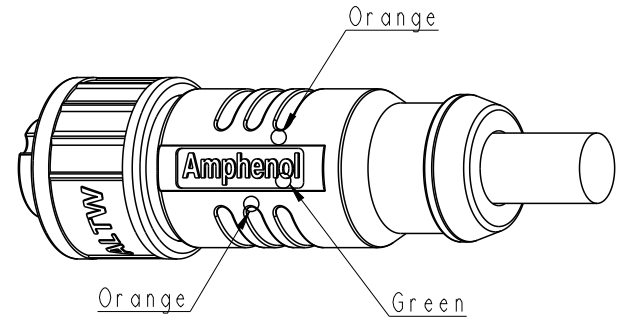
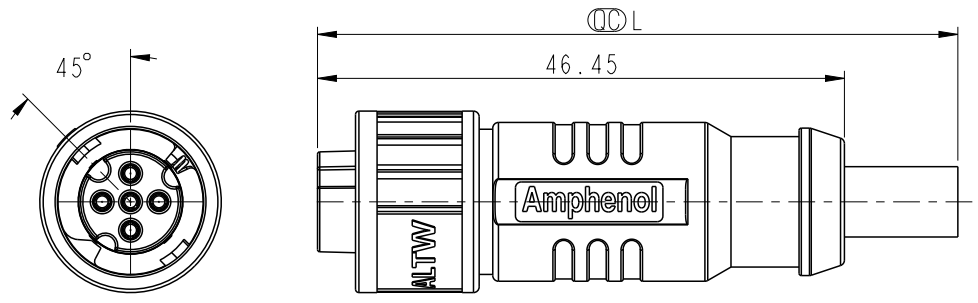
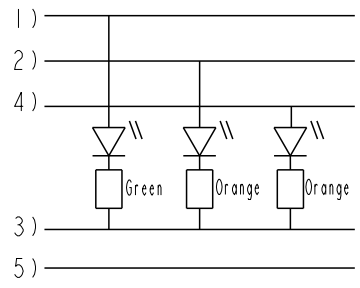


THIS DOCUMENT IS SUBJECT TO CHANGE WITHOUT NOTICE. IT IS CONFIDENTIAL AND A PROPERTY OF Amphenol LTW. DISCLOSURE TO THIRD PARTY HAS TO BE AUTHORIZED BY Amphenol LTW.

REV.	ECN NO.	DATE	SIGN	DESCRIPTION
A		2021-05-26	Sam Ho	Rev.01 to A, Initial Released

5 Pin	PVC	6.2	20	LAD-05BFFM-QL8DXX
4 Pin		6.0		LAD-04BFFM-QL8DXX
3 Pin		5.5		LAD-03BFFM-QL8DXX
Contacts	Cable Jacket	Cable OD	AWG	Item No.



Note:

- * \varnothing Important Dimension
- * Waterproof Rate: IPX8, Mated 1m/24h
- * Connector
 - Housing: Thermoplastic, Black
 - Pin: Copper Alloy, Gold Plated
 - O-Ring: Rubber, Black
 - Nut: Thermoplastic, Black
 - Outer Mold: Thermoplastic, Transparent Black.
- * Cable: UL21388, PVC Jacket, Black
- * Cable Length Tolerance:

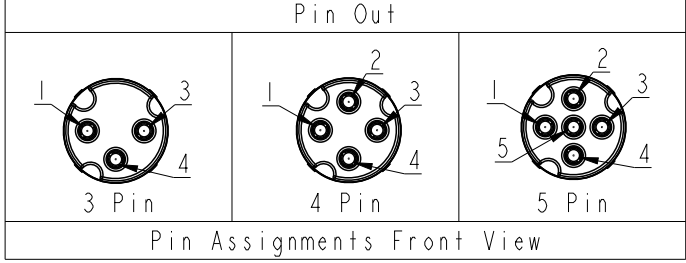
1M: +50/-0 mm
 1M < L ≤ 3M: +100/-0 mm
 3M < L ≤ 5M: +150/-0 mm
 5M < L ≤ 10M: ±100 mm
 10M < L ≤ 20M: ±200 mm
 20M < L ≤ 30M: ±300 mm
 30M < L ≤ 99M: ±500 mm

LAD- XX BFFM-QL8D XX

No. Of Pin

XX:L=0~99Meters
 01:L=1Meters
 02:L=2Meters
 :
 99:L=99Meters

5 - -	5 - -	5 Yellow	黃
4 Brown	4 Orange	4 Orange	橘
3 Red	3 Red	3 Red	紅
2 - -	2 Brown	2 Brown	棕
1 Black	1 Black	1 Black	黑



UNIT:mm		TITLE
TOLERANCE	$\pm 0.50\text{mm}$	XLOK, LED-A-5A, 05P, CABLE W/O SR F, F, MOLDING, PUSH LOCK
SCALE	3:2	SIZE A4
REV.	A	WC-REV.
		\varnothing : Inspection item

Amphenol LTW
 安費諾亮泰企業股份有限公司

ITEM NO	DRAWN BY	DATE
	Sam Ho	2021-05-11
DWG NO	CHECKED BY	DATE
LAD-XXBFFM-QL8DXX	Fred Lee	2021-05-11
CUSTOMER	APPROVED BY	DATE
ALTW	Fred Lee	2021-05-11