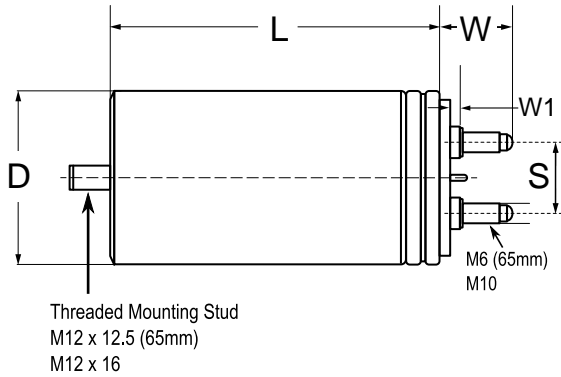


C44H, Film, Metallized Polypropylene, AC Filter, 150 uF, 5%, 440 VAC, 1000 VDC



General Information	
Supplier:	KEMET
Series:	C44H
Dielectric:	Metallized Polypropylene
Style:	Can
Features:	Single Phase PFC
RoHS:	Yes
Lead:	Fast On (2+2)
Miscellaneous:	Thermal Resistance = 3.8 C/W. Surge Voltage = 1500 VDC

Dimensions	
D	75mm +/-0.5mm
L	194mm +/-2mm
S	35mm +/-1mm

Packaging Specifications	
Mounting:	Bolt - M12x16
Packaging:	Bulk, Bag
Packaging Quantity:	9

Specifications	
Capacitance:	150 uF
Capacitance Tolerance:	5%
Voltage AC:	440 VAC
Voltage DC:	1000 VDC
Temperature Range:	-25/+70C
Rated Temperature:	70°C
Max dV/dt:	20 V/us
Resistance:	1.8 mOhms
Ripple Current:	45 Amps (RMS)
Inductance:	160 nH

Statements of suitability for certain applications are based on our knowledge of typical operating conditions for such applications, but are not intended to constitute - and we specifically disclaim - any warranty concerning suitability for a specific customer application or use. This Information is intended for use only by customers who have the requisite experience and capability to determine the correct products for their application. Any technical advice inferred from this Information or otherwise provided by us with reference to the use of our products is given gratis, and we assume no obligation or liability for the advice given or results obtained.