

Stainless Steel Ball Valve with Electric Actuator

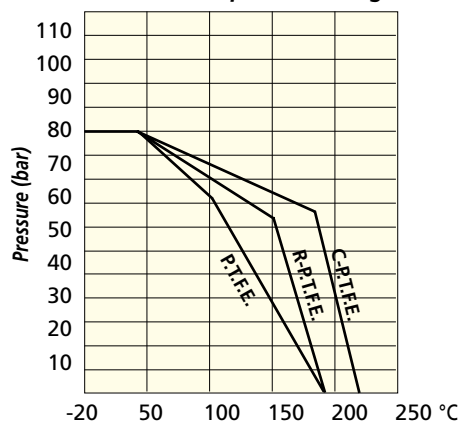
1,000 PSI Rated



Materials

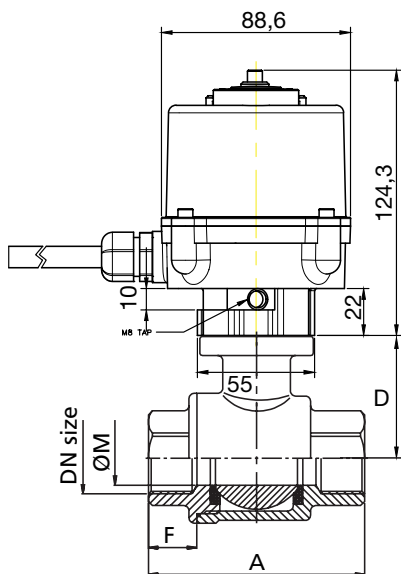
Body	=	CF8M - 316 S/S
Ball	=	316 S/S
Stem Seal	=	PTFE
Ball Seal	=	PTFE

Pressure - Temperature Diagram



Standard Specifications

Enclosure Rated	Weather proof IP67
Motor	24V DC Motor
Supplying Voltage	Multi-Voltage(85~265VAC or 24VDC)
Limit Switches	2 x open/close SPDT, 250 VAC 6A rating
Auxiliary Limit Switches	2 x open/close SPDT, 250 VAC 6A rating
Torque Switch	N/A
Travel Angle	90 degree
Indicator	LED lamp Indicator(Open/Close)
Heater	N/A
Manual Override	Push Button with Manual lever
Conduit Entries	1 X PG11 with 3m flying lead. 11 wires
Ambient Temperature	-20 ~ + 60
External Coating	Polyester Powder Coating
Base and Bore	ISO5211(F03/04/05) & 11mm Double Square



Model	Max. Torque (Nm)	Rated Current			Electric Motor Stop	Operating time	Bore Size	Base (ISO5211)
		110VAC	220VAC	24VDC				
HQ-003	30	0.12A	0.06A	0.46A	2.0A	12sec	11mm Star	F03/04/05

Overall Dimensions - Spring Return

RS Part No.	Dia mm	Size ins.	Model	A	D	F	ØM
7605703	8	1/4"	HQ-003	65	36	9.6	11
7605706	10	3/8"	HQ-003	65	36	9.6	12.7
7605700	15	1/2"	HQ-003	65	38	12	15
7605719	20	3/4"	HQ-003	74.5	41.7	19	20
7605712	25	1"	HQ-003	88.5	44.4	19.5	25
7605716	32	1 1/4"	HQ-003	102	54	20.3	32
7605725	40	1 1/2"	HQ-003	110	59.5	24.5	40
7605728	50	2"	HQ-003	125	67	29	50