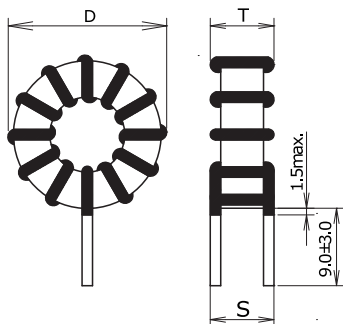


**KEMET Part Number: PHBC20-1R7A0097V**  
(UALP201R7A0097)

KEMET, PHBC, AC Line Filters, Normal Mode, 97 uH, 20%



#### Dimensions

|           |            |
|-----------|------------|
| <b>D</b>  | 41.2mm MAX |
| <b>T</b>  | 20.3mm MAX |
| <b>LL</b> | 9mm +/-3mm |
| <b>S</b>  | 14mm NOM   |

#### Packaging Specifications

|                            |      |
|----------------------------|------|
| <b>Packaging:</b>          | Tray |
| <b>Packaging Quantity:</b> | 80   |
| <b>Weight:</b>             | 75 g |

#### General Information

|                       |  |
|-----------------------|--|
| <b>Series:</b>        | PHBC   |
| <b>Style:</b>         | Through-Hole   |
| <b>Features:</b>      | Switching Power Supply Outlet, DC-DC Converter, Phase Compensation, Noise Solution |
| <b>RoHS:</b>          | Yes  |
| <b>Miscellaneous:</b> | 45 (K) Temperature Rise Max.   |

#### Specifications

|                              |                 |
|------------------------------|-----------------|
| <b>Inductance:</b>           | 97 uH (0.1 MHz) |
| <b>Inductance Tolerance:</b> | 20%             |
| <b>Current:</b>              | 12 A            |
| <b>Temperature Range:</b>    | -40/+125°C      |
| <b>DC Resistance:</b>        | 16 mOhms        |