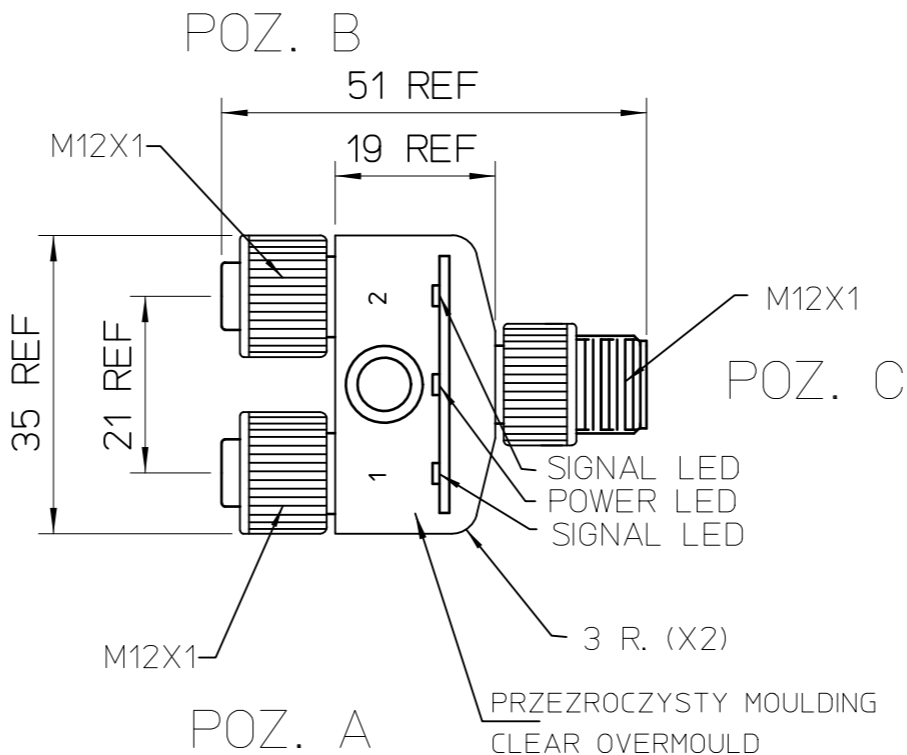
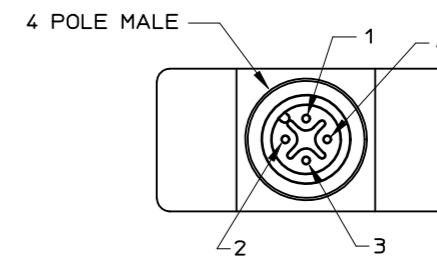
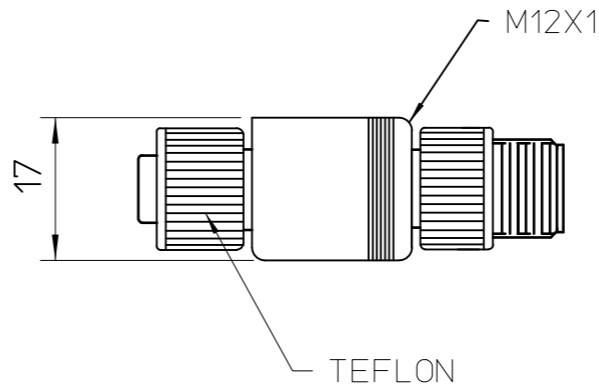
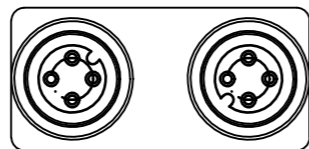


POZ. C
SCHEMAT POLACZEN
WIRING DIAGRAM



POZ. A
WIDOK OD STRONY CZOLA
FRONT VIEW

WIDOK OD STRONY CZOLA
FRONT VIEW



WOODHEAD P/N:
884AP0-7

UWAGI:
MONTAZ SPLITERA PATRZ INSTRUKCJA: VVK1_395_zal_6

NOTES:
SPLITTER ASSEMBLING: VVK1_395_zal_6

ORIGINAL RELEASE EC NO: DRWNK CHKD: APPR: A	DESCRIPTION REV	QUALITY SYMBOLS ▽=0 ∇=0	GENERAL TOLERANCES (UNLESS SPECIFIED)		DIMENSION STYLE		SCALE 1	DESIGN UNITS	◎ ▢ FIRST ANGLE PROJECTION	
			mm	INCH	DRAWN BY KOTYPKO	DATE 2008/07/25	TITLE MMC-4P-3LED MOULDED Y-SPLITTER			
			4 PLACES ±	±	CHECKED BY	DATE	APPROVED BY DWARWAS			
			3 PLACES ±	±	DATE 2008/07/25		MOLEX INCORPORATED			
			2 PLACES ±	±	MATERIAL NO. 1200090100		DOCUMENT NO. 884AP0-7		SHEET NO. 1 OF 1	
		1 PLACE ±	±	THIS DRAWING CONTAINS INFORMATION THAT IS PROPRIETARY TO MOLEX INCORPORATED AND SHOULD NOT BE USED WITHOUT WRITTEN PERMISSION						
		ANGULAR ± °	DRAFT WHERE APPLICABLE MUST REMAIN WITHIN DIMENSIONS							