


MCR-SL-S- 16-SP- 24

Order No.: 2864464



MCR contactor, for sinusoidal alternating currents 0 ... 16 A AC/ 1 PDT



| Commercial data | |
|--------------------------|--|
| EAN |  4 017918 904456 |
| Pack | 1 |
| Customs tariff | 85389091 |
| Gross weight in pieces | 141.20 g |
| Country of Origin | DE |
| Catalog page information | Page 719 (IF-2011) |

Product notes

WEEE/RoHS-compliant since:
09/11/2006



Please note that the data given here has been taken from the online catalog. For comprehensive information and data, please refer to the user documentation at <http://www.download.phoenixcontact.com>. The General Terms and Conditions of Use apply to Internet downloads.

Technical data

| Input data | |
|---------------------|---------------------------------|
| Input | Current measuring input |
| Input current range | 0 A AC ... 16 A AC |
| Impulse form | Sine |
| Overload capacity | 2 x I _N (continuous) |

| | |
|---------------------------|-------------------------------------|
| Nominal frequency f_N | 50 Hz |
| | 60 Hz |
| Frequency measuring range | 45 Hz ... 65 Hz |
| Connection method | Through connection, diameter 4.2 mm |

Switching output

| | |
|-------------------------------------|--|
| Output name | Relay output |
| Contact type | 1 PDT |
| Contact material | AgSnO, hard gold-plated |
| Maximum switching voltage | 30 V AC |
| | 36 V DC |
| | 250 V AC |
| Limiting continuous current | 50 mA (for gold layer, 30 V AC/ 36 V DC) |
| | 2 A (in case of a destroyed gold layer, 250 V AC) |
| Setting range of the response delay | Typ. 0.1 s ... 10 s (Adjustable using a potentiometer) |

Power supply

| | |
|--------------------------|---------------------|
| Supply voltage range | 20 V DC ... 30 V DC |
| Max. current consumption | < 30 mA |

Connection data

| | |
|--|---------------------|
| Connection method | Screw connection |
| Conductor cross section solid min. | 0.2 mm ² |
| Conductor cross section solid max. | 2.5 mm ² |
| Conductor cross section stranded min. | 0.2 mm ² |
| Conductor cross section stranded max. | 2.5 mm ² |
| Conductor cross section AWG/kcmil min. | 24 |
| Conductor cross section AWG/kcmil max | 14 |
| Stripping length | 8 mm |
| Screw thread | M3 |

General data

| | |
|---------------------------------|------------|
| Width | 22.5 mm |
| Height | 99 mm |
| Depth | 114.5 mm |
| Maximum temperature coefficient | < 0.02 %/K |
| Step response (10-90%) | 40 ms |

| | |
|---------------------------------|-----------------------------|
| Ambient temperature (operation) | -20 °C ... 65 °C |
| Degree of protection | IP20 |
| Surge voltage category | III |
| Pollution degree | 2 |
| Rated insulation voltage | 300 V AC (to earth) |
| Test voltage input/output | 4 kV (50 Hz, 1 min.) |
| Test voltage input/power supply | 4 kV (50 Hz, 1 min.) |
| Color | green |
| Housing material | Polyamide PA non-reinforced |
| Mounting position | Any |
| Conformance | CE-compliant |

Certificates

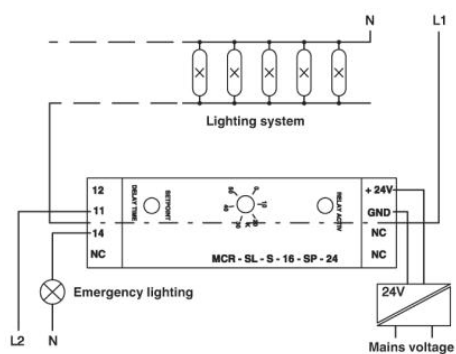
Certification CUL, GOST, UL

Certifications applied for:

Certification Ex:

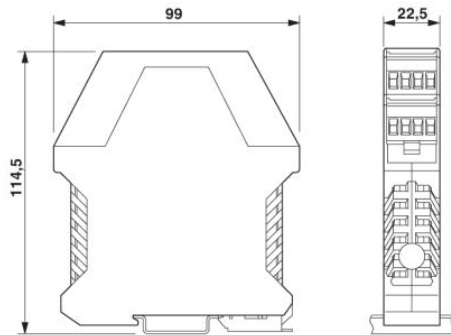
Drawings

Application drawing

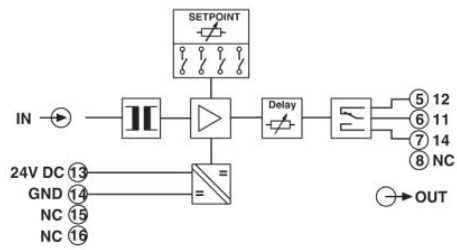


Lighting system with emergency lighting

Dimensioned drawing



Circuit diagram



Connection data incl. use groups



