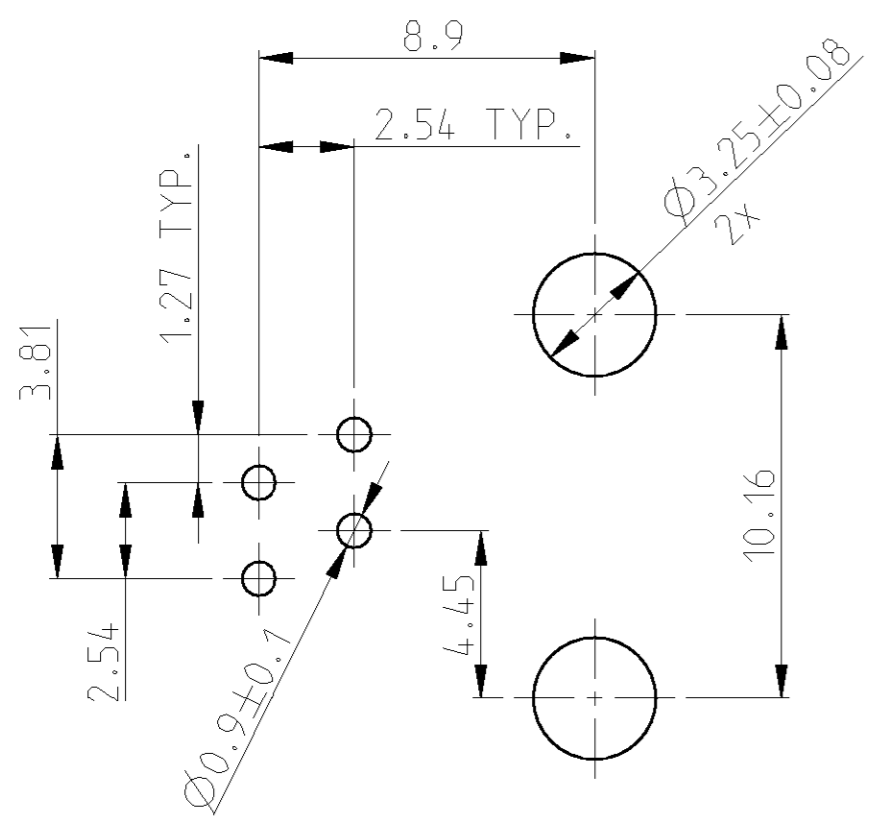
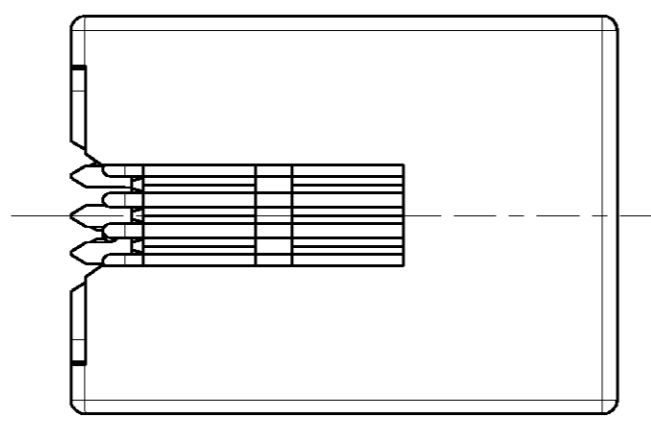
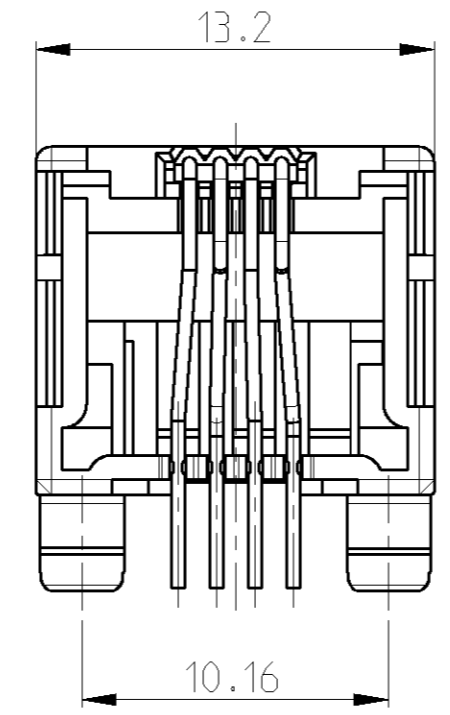
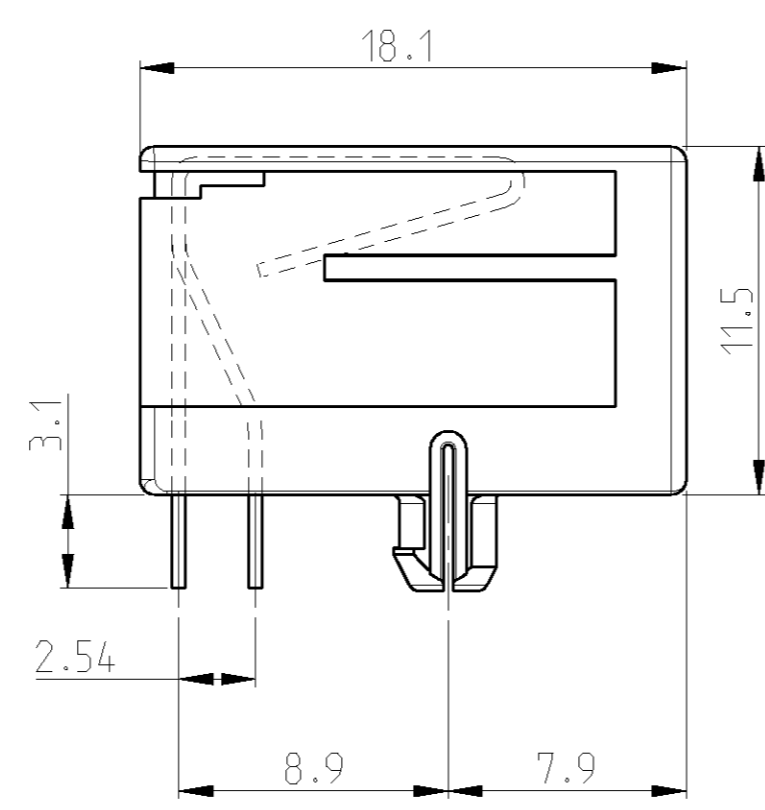
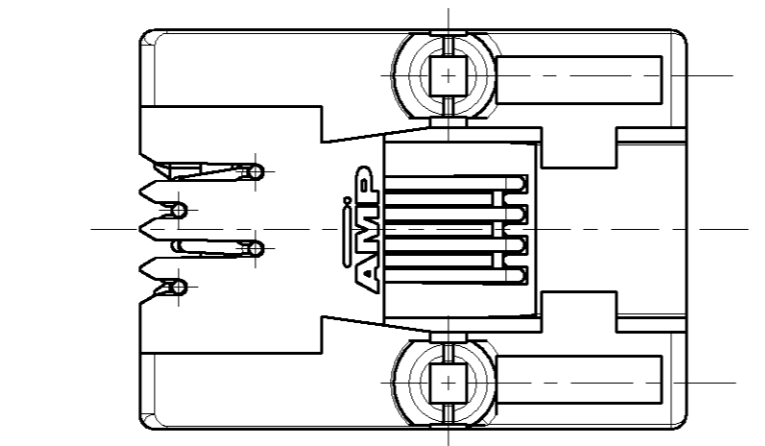
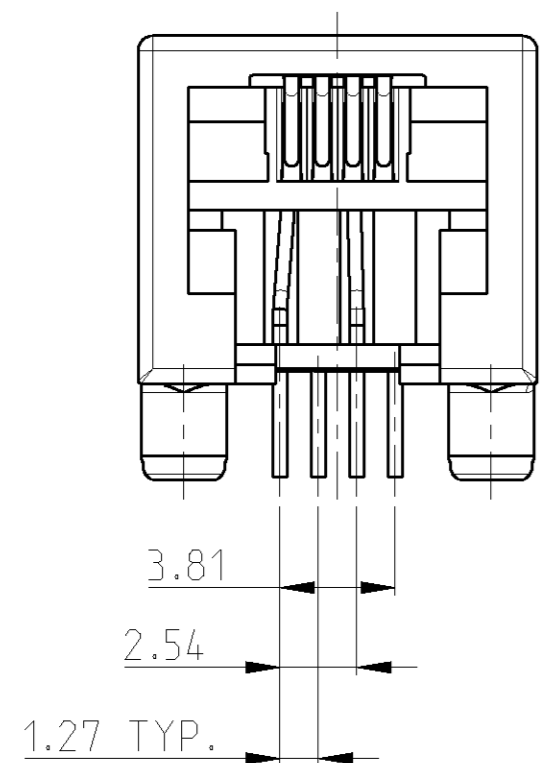


LOC	DIST	REVISIONS			
P	LTR	DESCRIPTION	DATE	DWN	APVD
GW	-	SEE SHEET 1	-	-	-

- 1 SEE SHEET 1 FOR MODULAR JACK 6 POS./6 CONTACTS.
- 2 FOR APPLICATION INFORMATION SEE AMP SPEC. 114-19019.
- 3 TOLERANCES UNLESS OTHERWISE SPECIFIED: ± 0.15 .



PRINTED CIRCUIT BOARD LAYOUT (6 POS./4 CONTACT)

[VIEW SHOWN IS CIRCUIT (NONCOMPONENT) SIDE OF BOARD]
 PRINTED CIRCUIT BOARD THICKNESS: 1,6 mm NOMINAL.
 TOLERANCES UNLESS OTHERWISE SPECIFIED: ± 0.05 .

240 PIECES IN A TRAY	6 POS./ 4 CONTACTS	IN CONTACT AREA: 0,15 μ m MIN. SEL. GOLD OVER 1,2 μ m MIN. NICKEL	HOUSING COLOR BLACK: PBT, UL 94 V-0	1-1705950-2
TAPE MOUNTED 800 PCS/REEL		SOLDER TINES: 2,5 μ m MIN. TIN OVER 1,2 μ m MIN. NICKEL	CONTACT INSERT: PBT, UL 94 V-0	1705950-2
PACKAGING	REMARKS	FINISH	MATERIAL	P/N

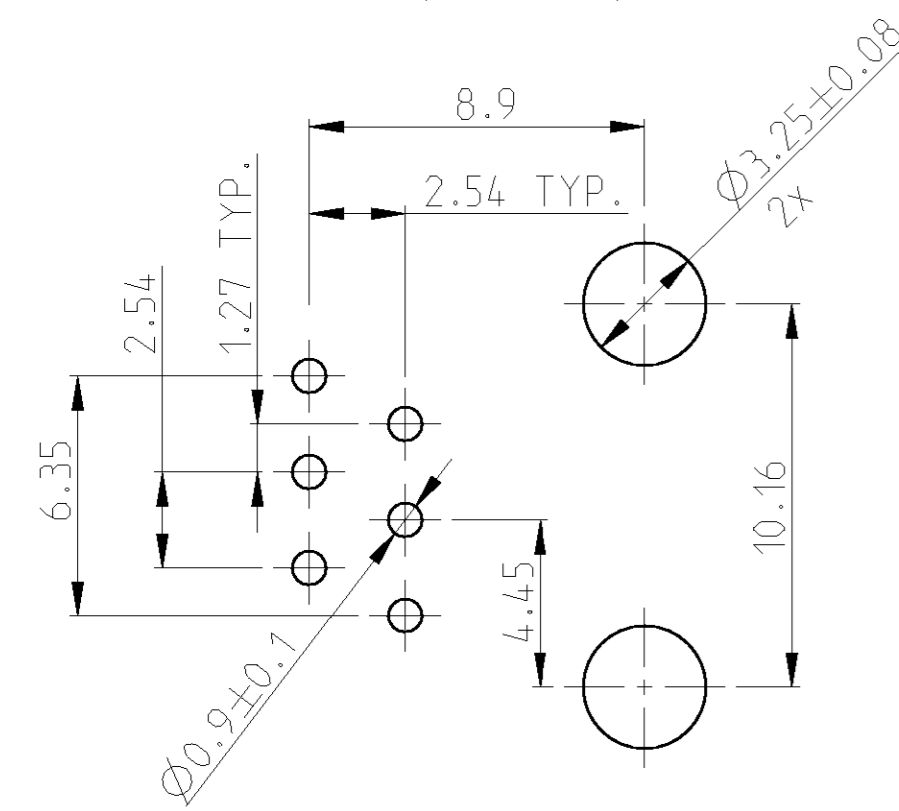
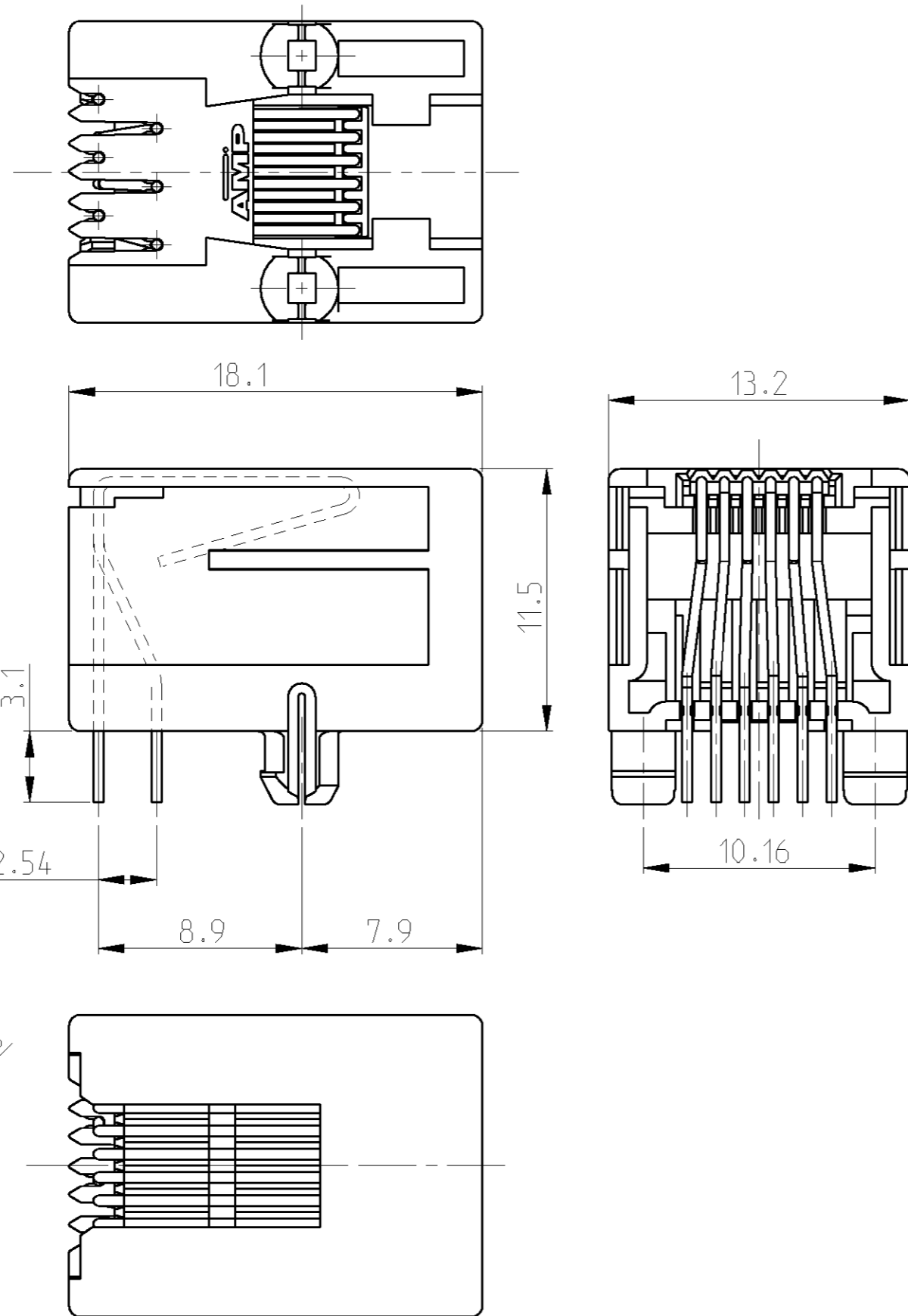
THIS DRAWING IS A CONTROLLED DOCUMENT FOR TYCO ELECTRONICS CORPORATION IT IS SUBJECT TO CHANGE AND THE CONTROLLING ENGINEERING ORGANIZATION SHOULD BE CONTACTED FOR THE LATEST REVISION.		DWN J.V.D.HEIJDEN 14 FEB 05
DIMENSIONS: mm		CHK P.WILLEMS 14 FEB 05
TOLERANCES UNLESS OTHERWISE SPECIFIED:		APVD J.BROEKSTEEG 14 FEB 05
0 PLC \pm	1 PLC \pm	PRODUCT SPEC
2 PLC \pm	3 PLC \pm	APPLICATION SPEC
4 PLC \pm	ANGLES \pm	114-19019
MATERIAL -	FINISH -	WEIGHT -
CUSTOMER DRAWING		

Tyco Electronics Oostkamp - Belgium		NAME MODULAR JACK, SIDE ENTRY, 6/4 FOR PRINTED CIRCUIT BOARD	
SIZE A2	CAGE CODE 00779	DRAWING NO. 1705950	RESTRICTED TO -
SCALE 4:1		SHEET 2 OF 2	REV A

THIS DRAWING IS UNPUBLISHED. RELEASED FOR PUBLICATION 2000
 © COPYRIGHT 2000 BY TYCO ELECTRONICS CORPORATION. ALL RIGHTS RESERVED.

LOC	DIST	REVISIONS			
P	LTR	DESCRIPTION	DATE	DWN	APVD
GW	-	A	EH10-0183-05	10 FEB 05	JvdH JB

- 1 SEE SHEET 2 FOR MODULAR JACK 6 POS./4 CONTACTS
- 2 FOR APPLICATION INFORMATION SEE AMP SPEC. 114-19019.
- 3 TOLERANCES UNLESS OTHERWISE SPECIFIED: $\pm 0,15\text{mm}$.



240 PIECES IN A TRAY	6 POS./6 CONTACTS.	IN CONTACT AREA: 0,15 μm MIN. SEL. GOLD OVER 1,2 μm MIN. NICKEL.	HOUSING COLOR BLACK PBT, UL 94 V-0	1-1705950-1
TAPE MOUNTED 800 PCS/REEL		SOLDER TINES: 2,5 μm MIN. TIN OVER 1,2 μm MIN. NICKEL.	CONTACT INSERT: PBT, UL 94 V-0	1705950-1
PACKAGING	REMARKS	FINISH	MATERIAL	P/N

THIS DRAWING IS A CONTROLLED DOCUMENT FOR TYCO ELECTRONICS CORPORATION IT IS SUBJECT TO CHANGE AND THE CONTROLLING ENGINEERING ORGANIZATION SHOULD BE CONTACTED FOR THE LATEST REVISION.		DWN J.V.D.HEIJDEN 14 FEB 05 CHK P.WILLEMS 14 FEB 05 APVD J.BROEKSTEEG 14 FEB 05	tyco Electronics Tyco Electronics Oostkamp - Belgium
DIMENSIONS: mm 	TOLERANCES UNLESS OTHERWISE SPECIFIED: 0 PLC \pm 1 PLC ± 0.1 2 PLC ± 0.01 3 PLC ± 0.001 4 PLC ± 0.0001 ANGLES \pm FINISH -	PRODUCT SPEC - APPLICATION SPEC 114-19019 WEIGHT - CUSTOMER DRAWING	NAME MODULAR JACK, SIDE ENTRY, 6/6 FOR PRINTED CIRCUIT BOARD SIZE A2 CAGE CODE 00779 DRAWING NO. C-1705950 RESTRICTED TO - SCALE 4:1 SHEET 1 OF 2 REV A