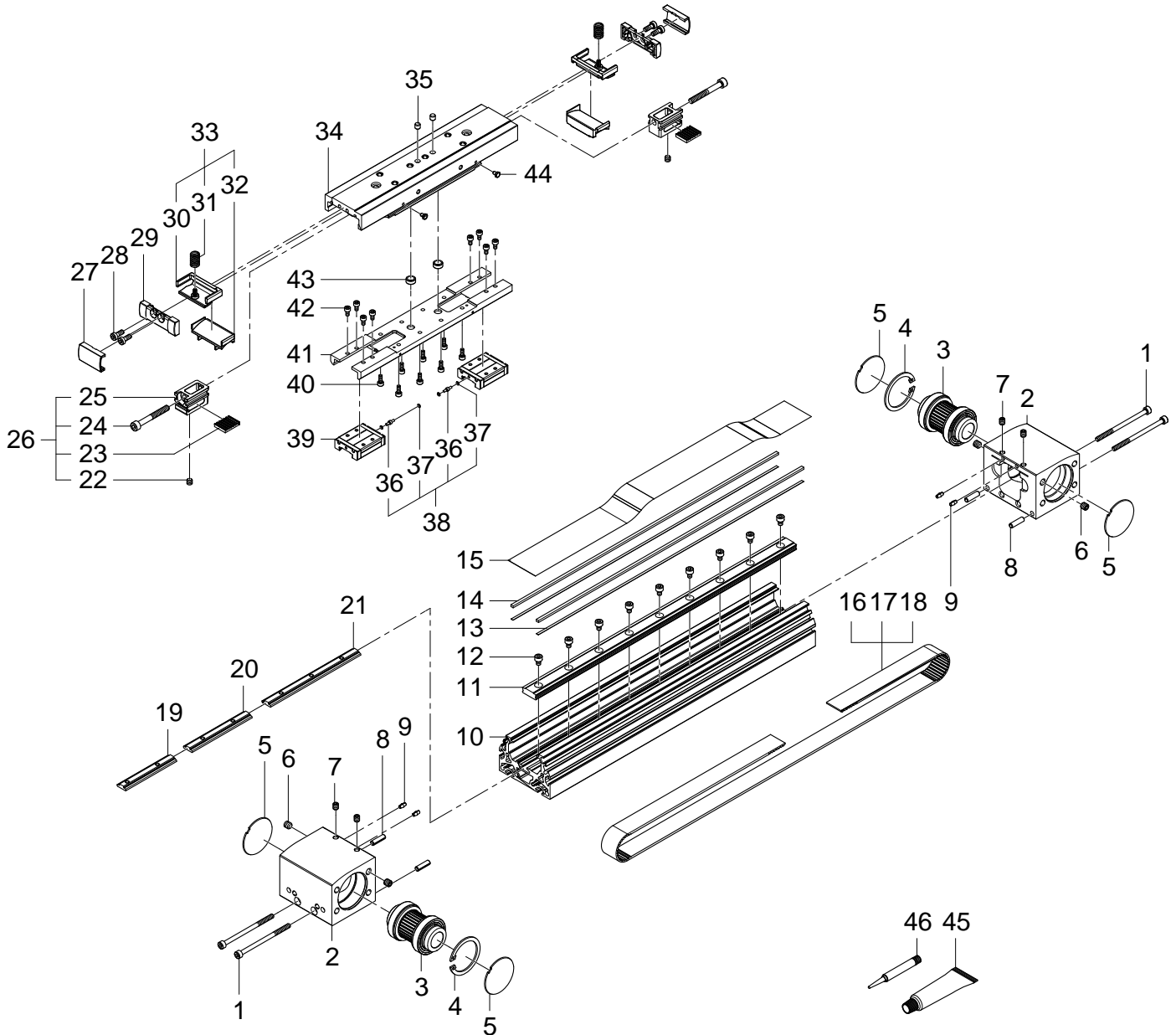


8041851 ELGA-TB-KF-70-300-0H Toothed belt axis - Series: All



## 8041851 ELGA-TB-KF-70-300-0H Toothed belt axis - Series: All

Pos.	Part no.	Type	Note	Qty.	Unit
1		ISO 14579-M4X65-10.9 Socket head screw	Not available Tightening torque 2.5 Nm / 1.8 lbf ft Use locking compound. See position 46	4	PC
2	3217494	ELGA-TB-70 Drive cover	Attention, please order position 6 as well	1	PC
3	1087548	ELGA-TB-G-70 Toothed belt pulley module		1	PC
4	664723	DIN 472-37X1,5 Retaining ring		1	PC
5	2493426	ELGA-TB-RF-70-F1:D38 Sealing washer		4	PC
6	204495	ISO 4028-M6X8-45H Threaded pin	Use locking compound. See position 46	2	PC
7	204481	ISO 4026-M5X6-45H Threaded pin	Tightening torque 2 Nm / 1.5 lbf ft	4	PC
8	349184	DIN 7346-4,5X16 Spring pin		2	PC
9	686822	DGSL-6-PJ Buffer element		2	PC
10		ELGA-TB-KF-70 Cylinder barrel	Not available	1	PC
11		ELGA-TB-KF-70 Roller track	Not available	1	PC
12		M4X6,5-10.9 Socket head screw	Not available	1	PC
13	4171246	ELGA-TB-KF Adhesive tape		25	M
14	8040752	2X3X10000 Magnetic tape	Attention! Length 10 meter	1	PC
15	8040744	ELGA-YA-TB-KF-70- - Cover strip	When ordering please specify the configuration (see type plate)	1	PC
16	8040748	ELGA-YT-TB-KF-70- - Toothed belt	When ordering please specify the configuration (see type plate) Attention! It is essential that the information in the repair manual be closely observed! <a href="#">▶ Replacing the toothed belt</a>	1	PC
17	8096937	19,3LL-3MR-5M-610-5555 Toothed belt	Attention! Length 5 meter Attention! The Material is [ ] <a href="#">▶ Replacing the toothed belt</a>	1	PC
18	8119355	PGGT-19-LL-3MR-5M-PU2 Toothed belt	Attention! Length 5 meter Attention! The Material is [PU2] <a href="#">▶ Replacing the toothed belt</a>	1	PC
19	652565	DGEA- 18-....-ZR Slot nut		2	PC
20	652564	DGEA- 18-....-ZR Slot nut		1	PC
21	652563	DGEA- 18-....-ZR Slot nut		1	PC
22	361605	ISO 4026-M5X5-45H Threaded pin	Tightening torque 0.5 Nm / 0.4 lbf ft Use locking compound. See position 46	1	PC
23		EGC-80-TB Clamping plate	Not available separately, see position 26	1	PC
24		ISO 4762-M5X40-10.9 Socket head screw	Not available separately, see position 26	1	PC
25		ELGA-TB-KF-70 Clamping part	Not available separately, see position 26	1	PC

Pos.	Part no.	Type	Note	Qty.	Unit
26	3547206	ELGA-TB-KF-70 Clamping		2	PC
27	1207834	ELGA-TB-G-70 Clip		2	PC
28	369843	DIN 6912-M4X10-8.8 Socket head screw	Tightening torque 1.2 Nm / 0.9 lbf ft Use locking compound. See position 46	4	PC
29	1207833	ELGA-TB-G-70 Cover		2	PC
30		ELGA-TB-G-70 Belt reversal	Not available separately, see position 33	2	PC
31		VADM-... Compression spring	Not available separately, see position 33	2	PC
32		ELGA-TB-G-70 Belt reversal	Not available separately, see position 33	2	PC
33	1202717	ELGA-TB-G-70 Belt reversal		2	PC
34	2491801	ELGA-TB-KF-70 Slide module	No longer available. Please order from product series J5 the components with position nos. 34+44+45. Grease using during assembly. See position 45	1	PC
35	150928	ZBS-5 Centring pin		2	PC
36		ELGA-TB-KF-70/80 Oil duct	Not available separately, see position 38	2	PC
37		B-1,5X1-N-NBR70 O-ring ISO3601	Not available separately, see position 38	4	PC
38	8049975	ELGA-...-KF-70/80 Oil duct		1	PC
39	716519	EGC-70-KF-GK/GV Roller carriage	Attention! It is essential that the information in the repair manual be closely observed! Grease using during assembly. See position 45	1	PC
40	723976	ISO 4762-M3X8-12.9 Socket head screw	Tightening torque 2 Nm / 1.5 lbf ft Use locking compound. See position 46	8	PC
41		ELGA-TB-KF-70 Connecting plate module	Not available	1	PC
42	8030872	ISO 4762-M3X6-12.9 Socket head screw	Tightening torque 2 Nm / 1.5 lbf ft Use locking compound. See position 46	8	PC
43	8146544	ZBH-7-B Centring sleeve		2	PC
44		D1 M3 Lubrication nipple	Not available Tightening torque 0.5 Nm / 0.4 lbf ft	2	PC
45	684474	LUB-KC1 SILIKONFREI 20ML Lubricating grease		1	PC
46	8181256	CYBERBOND TM44 TB1ML Adhesive bonding agent		1	PC