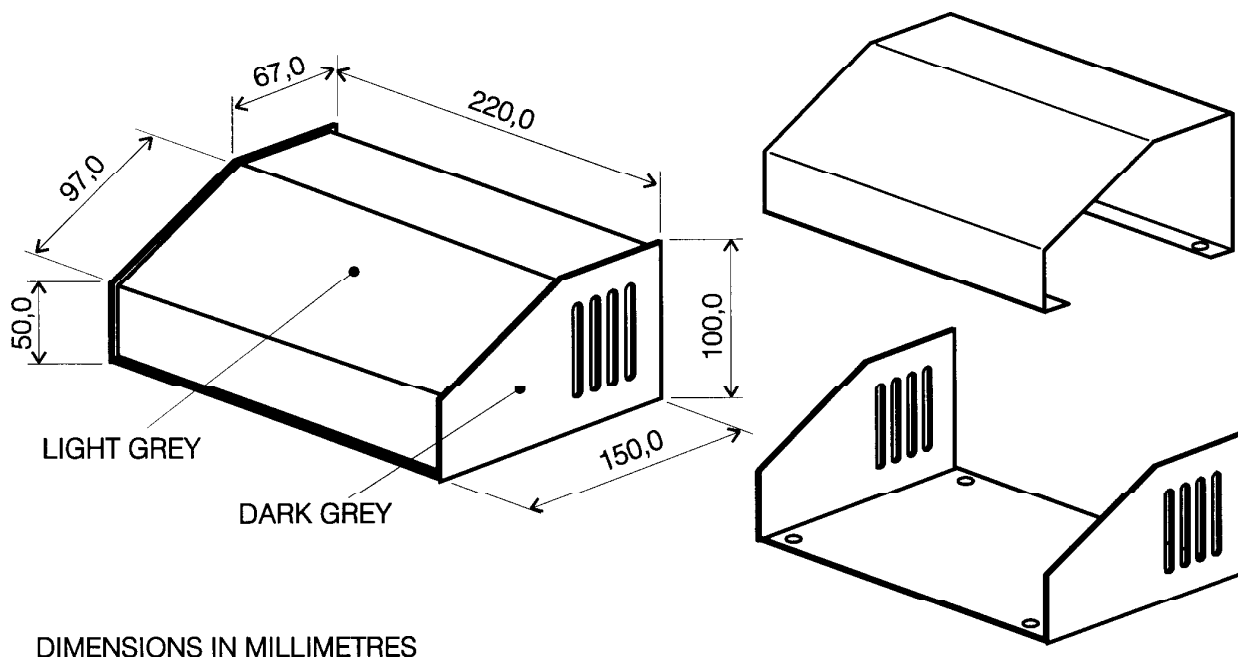
**CONSOLE CASE**Sheet No. **PS 0719****PRODUCT SPECIFICATION**

Date : 08.11.94

Issue No. 3 (29.09.95)

Sheet 1 of 1

Signature

Deltron Part No. **519-0910****Dimensions****Description**

A range of enclosures that will accommodate common electrical / electronic products. They are ideally suited to housing small control consoles and power supplies.

The two part construction is robust, with ventilation slots on either side, and self-adhesive rubber feet.

Finished in a durable, attractive two-tone paint, these console cases are suited to most applications.

**Features****MATERIALS**

TOP PANEL : Aluminium,  
1,2mm thick,  
light grey paint, smooth

BASE : Mild Steel,  
1,2mm thick  
dark grey paint, textured

SCREWS : Mild Steel,  
zinc plated