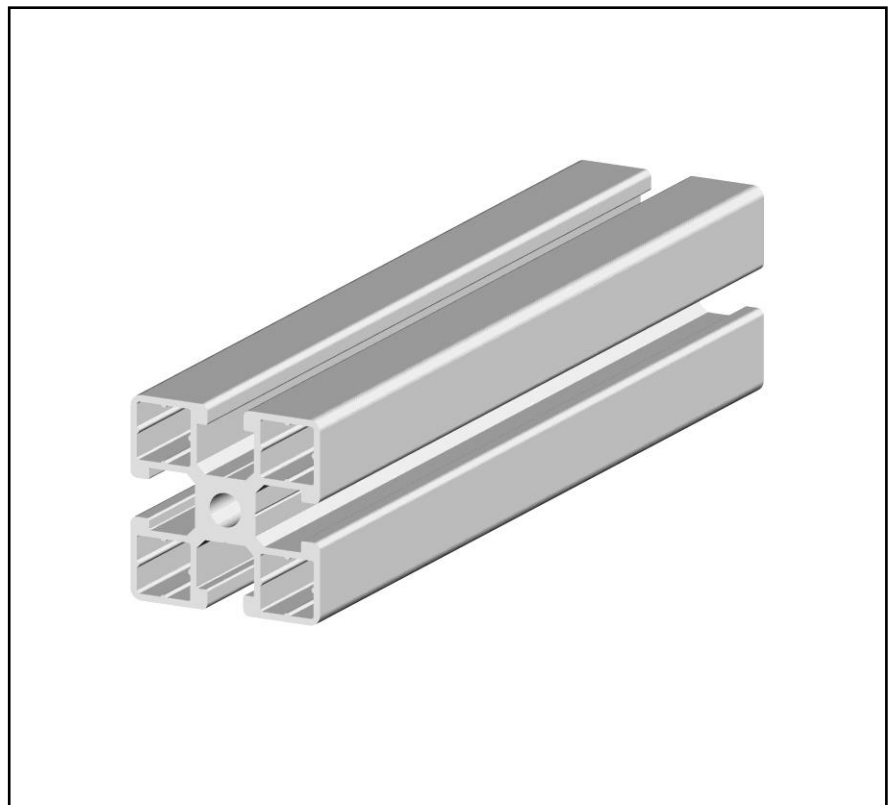


Features

- Light-weight aluminium alloy
- Suitable for cut to length application
- Structural element type: Strut Profile
- Compatible with support and connector accessories

RS PRO Strut Profile, 45x45, 8 mm Groove, 2000 mm Length

RS Stock No.: 0801797



RS Professionally Approved Products bring to you professional quality parts across all product categories. Our product range has been tested by engineers and provides a comparable quality to the leading brands without having a premium price.

Product Description

- RS PRO aluminium profiles offer a modular solution for building structures, frameworks and workstations.
- Many components and connectors allow you to choose from a wide range of applications.
- The modular system includes different profile types and lengths of 1 m, 2 m and 3 m with different cross-sections and groove-sizes in grid dimensions from 20 mm to 90 mm.

General Specifications

| | |
|--------------------------------|--|
| Structural Element Type | Strut Profile / Aluminium Profile |
| Number of Grooves | 4 |
| Material | Aluminium anodized |
| Colour | Silver |
| Product System | Construction, Workstations, Industrial equipment, Automotive manufacturing |

Mechanical Specifications

| | |
|-----------------------------------|--|
| Strut Profile | 45 x 45 mm |
| Length | 2000 mm |
| Groove Size | 8 mm |
| Mass (G) | 1.65 kg/m |
| Moment of Inertia (Ix, Iy) | 10.79 cm ⁴ 10.79 cm ⁴ |
| Section Modulus (Wx, Wy) | 4.80 cm ³ 4.80 cm ³ |

Similar Products

| Parameters | 0801798 | 0801799 | 0801800 | |
|----------------------------|--|--|--|--|
| Brand | RS PRO | RS PRO | RS PRO | |
| Structural Element Type | Strut Profile / Aluminium Profile | Strut Profile / Aluminium Profile | Strut Profile / Aluminium Profile | |
| Number of Grooves | 4 | 6 | 6 | |
| Material | Aluminium, anodized | Aluminium, anodized | Aluminium, anodized | |
| Colour | Silver | Silver | Silver | |
| Product System | Construction, Workstations, Industrial equipment, Automotive manufacturing | Construction, Workstations, Industrial equipment, Automotive manufacturing | Construction, Workstations, Industrial equipment, Automotive manufacturing | |
| Strut Profile | 45 x 45 mm | 45 x 90 mm | 45 x 90 mm | |
| Length | 3000 mm | 2000 mm | 3000 | |
| Groove Size | 8 | 8 | 8 | |
| Mass (G) | 1.65 kg/m | 2.46 kg/m | 2.46 kg/m | |
| Moment of Inertia (Ix, Iy) | 10.79 cm ⁴ | 72.40 cm ⁴ 17.83 cm ⁴ | 72.40 cm ⁴ 17.83 cm ⁴ | |
| Section Modulus (Wx, Wy) | 4.80 cm ³ | 16.09 cm ³ 7.92 cm ³ | 16.09 cm ³ 7.92 cm ³ | |

Dimensional Drawing

