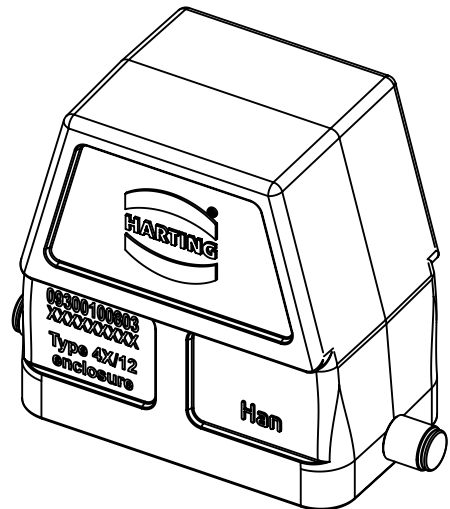
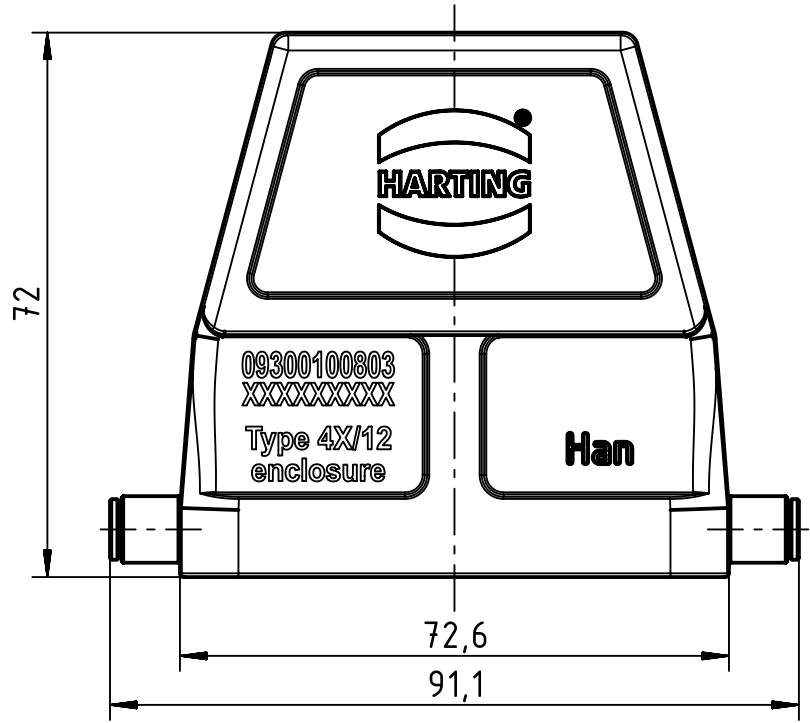
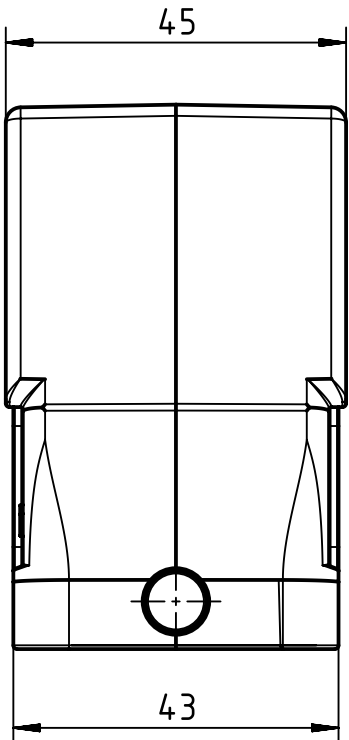



1 2 3 4 5 6

A
B
C
D



	All Dimensions in mm Original Size DIN A4		Scale 1:1	Free size tol.		Ref.	
	All rights reserved Department EL PD - DE		Created by FINKEV	Inspected by BERGHORN	Standardisation RUETERA	Date 2017-06-27	State Final Release
HARTING Electric GmbH & Co. KG D-32339 Espelkamp			Title Han 10B-GG-R			Doc-Key / ECM-Nr. 1002274-08/UGD/002/C 500000119122	
			Type TB	Number 09 30 010 0803		Rev. C	Page 1/1