



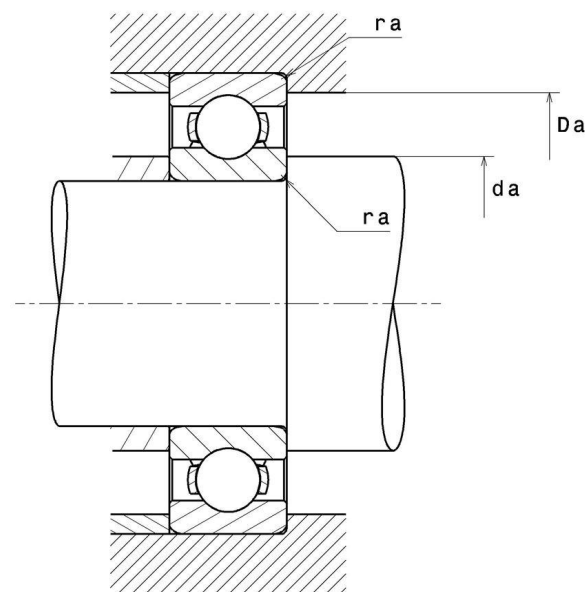
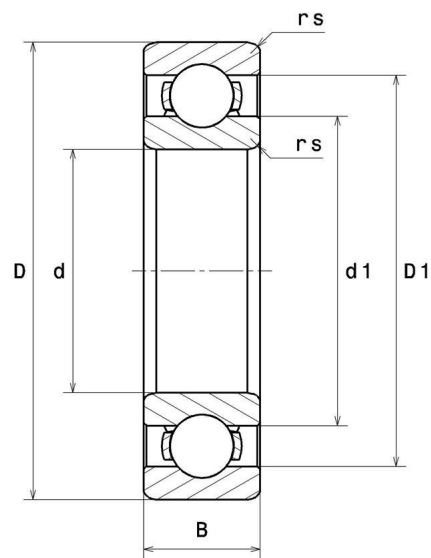
Technical data

6016.C3

Single row deep groove ball bearings

Deep groove ball bearing, radial contact, pressed steel cage, open

VISUAL (S)



6016.C3

Single row deep groove ball bearings

PRODUCT DEFINITION

Brand	NTN
d - Internal diameter	80 mm
D - External diameter	125 mm
B - Bearing/Inner ring width	22 mm
rs - Min fillet radius	1,1 mm
Radial clearance class	C3
Mass	0,854 kg

PRODUCT PERFORMANCE

C - Dynamic load	53000000 mN
C0 - Static load	40000000 mN
Cu - Fatigue limit load	2910000 mN
f0 - Coefficient	15.6
N lim - Oil lubrication limit speed	37200 °/s
N lim - Grease lubrication limit speed	31800 °/s
Tmin - Min operating temperature	233,15 °K
Tmax - Max operating temperature	393,15 °K

ABUTMENT

da min - Min shoulder diameter IR	86,5 mm
Da max - Max shoulder diameter OR	118,5 mm
ra max - Max shaft & housing fillet radius	1 mm

OE EQUIVALENTS

Manufacturer	Part number
---------------------	--------------------



NTN Europe

1 rue des Usines · BP 2017 · 74010 Annecy Cedex · France · Tel. +33 (0)4 50 65 30 00
S.A. au capital de 322 639 919 € · RCS ANNECY B 325 821 072 · Id. Fiscale : FR 48 325 821 072
SIRET 325 821 072 00015 · Code APE 2815 Z · Code NACE 28.15

6016.C3

Single row deep groove ball bearings

OE EQUIVALENTS

Manufacturer	Part number
ZF	0635 331 232

INDUSTRY CALCUL FACTORS

Equivalent dynamic radial load

$$P = X \cdot Fr + Y \cdot Fa$$

$\frac{f_0 F_a}{C_0}$	e	Fa / Fr ≤ e		Fa / Fr > e	
		X	Y	X	Y
0.172	0.19	1	0	0.56	2.3
0.345	0.22				1.99
0.689	0.26				1.71
1.03	0.28				1.55
1.38	0.3				1.45
2.07	0.34				1.31
3.45	0.38				1.15
5.17	0.42				1.04
6.89	0.44				1

Equivalent static radial load

$$P_0 = X_0 \cdot Fr + Y_0 \cdot Fa$$

X_0	Y_0
0.6	0.5

For single or DT bearing arrangement :

If $P_0 < Fr$, then use $P_0 = Fr$



NTN Europe

1 rue des Usines · BP 2017 · 74010 Annecy Cedex · France · Tel. +33 (0)4 50 65 30 00
 S.A. au capital de 322 639 919 € · RCS ANNECY B 325 821 072 · Id. Fiscale : FR 48 325 821 072
 SIRET 325 821 072 00015 · Code APE 2815 Z · Code NACE 28.15