

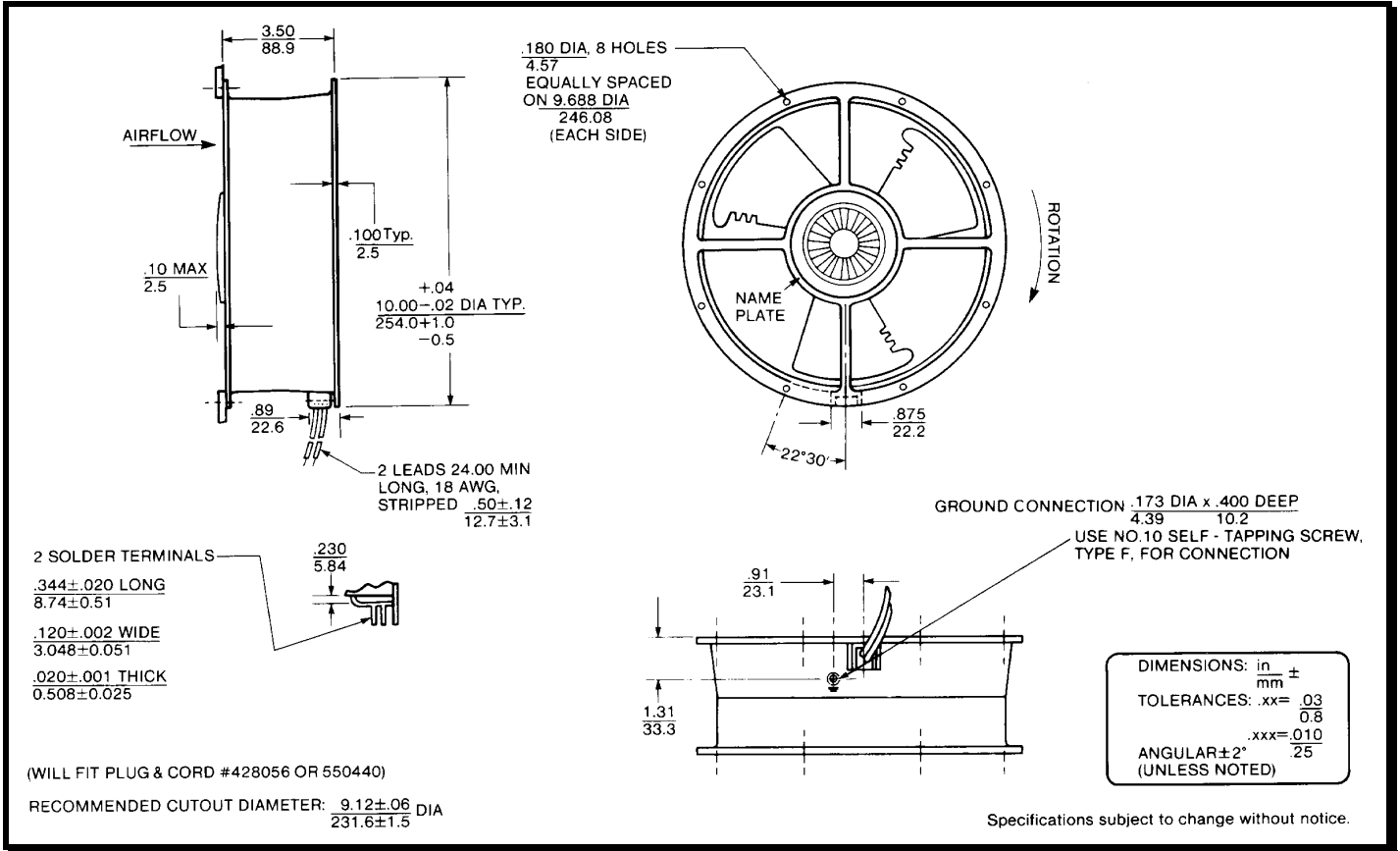
SPECIFICATIONS



Model Number: CLE3T2
Part Number: 19020191A

Apr. 01, 2016

Mechanical Drawing:



Motor:

Nominal Voltage	= 220 / 230 VAC
Frequency	= 50 / 60 Hz
Nominal Running Current	= 0.240 / 0.250 Amps
Max. Locked Rotor Current	= 0.355 amps
Running Power	= 60 Watts
Average Speed	= 1400 / 1650 RPM
Bearings	= Ball
Air Flow	= 455 / 550 CFM
Acoustic	= 45.4 / 49.2 dBA

Construction:

Venturi: Single Piece Die Cast Aluminum, Black
 Propeller: Plastic, Black, UL 94V-0

Life Expectancy:

This fan is designed for continuous duty life of 54,000 hours at 40°C.

Additional Features:

Permanent Split Capacitor Motor
 Automatic Reset Thermal Protector
 Feathered Edge Propeller
 Operating Temperature: -30°C to 60°C
 Storage Temperature: -40°C to 85°C

Agency Approvals:

UL, CE

Termination:

2 0.120" Terminals