



Brand of NTN corporation

Technical data

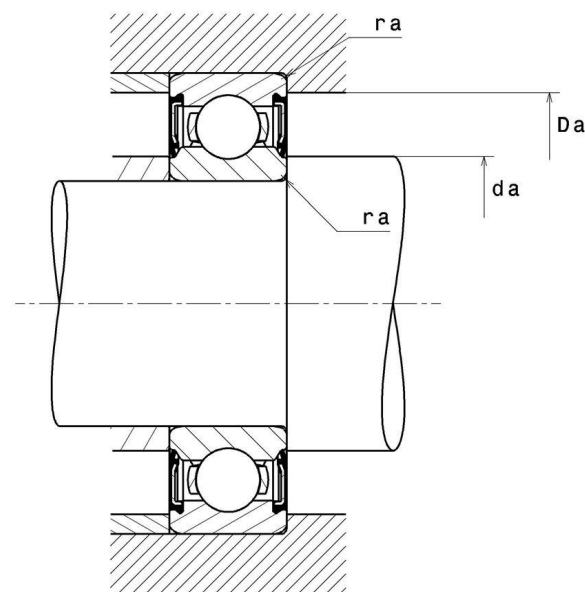
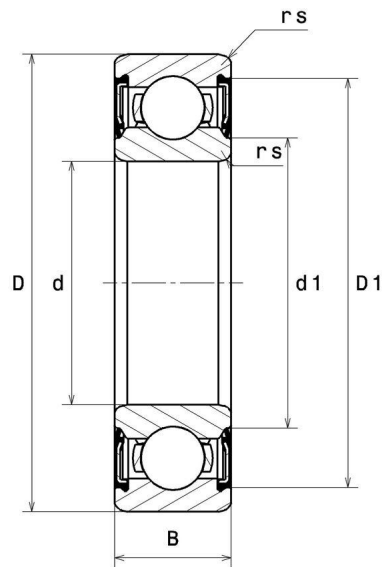
6205HT200

Single row deep groove ball bearings



TOPLINE deep groove ball bearing, radial contact, pressed steel cage, contact seals on both sides, applications up to 200°C.

VISUAL (S)



NTN Europe

1 rue des Usines · BP 2017 · 74010 Annecy Cedex · France · Tel. +33 (0)4 50 65 30 00
S.A. au capital de 322 639 919 € · RCS ANNECY B 325 821 072 · Id. Fiscale : FR 48 325 821 072
SIRET 325 821 072 00015 · Code APE 2815 Z · Code NACE 28.15

6205HT200

Single row deep groove ball bearings

PRODUCT DEFINITION

Brand	SNR
d - Internal diameter	25 mm
D - External diameter	52 mm
B - Bearing/Inner ring width	15 mm
d1 - External diameter inner ring	31,8 mm
D1 - Inner diameter outer ring	49,2 mm
rs - Min fillet radius	1 mm
Radial clearance class	C4
Mass	0,128 kg

PRODUCT PERFORMANCE

C - Dynamic load	13800000 mN
C0 - Static load	7900000 mN
Cu - Fatigue limit load	450000 mN
f0 - Coefficient	13.9
N lim - Mechanical Limit Speed	52200 °/s
Tmin - Min operating temperature	233,15 °K
Tmax - Max operating temperature	473,15 °K

BEARING FREQUENCIES

BPFO - Over rolling frequency on outer ring (60 rpm)	3.585 Hz
BPFI - Over rolling frequency on inner (60 rpm)	5.415 Hz
BSF - Over rolling frequency on rolling element (60 rpm)	4.715 Hz
BRF - Rotational frequency - rolling element (60 rpm)	2.358 Hz
FTF - Rotational frequency - cage (60 rpm)	0.398 Hz



NTN Europe

1 rue des Usines · BP 2017 · 74010 Annecy Cedex · France · Tel. +33 (0)4 50 65 30 00
S.A. au capital de 322 639 919 € · RCS ANNECY B 325 821 072 · Id. Fiscale : FR 48 325 821 072
SIRET 325 821 072 00015 · Code APE 2815 Z · Code NACE 28.15

6205HT200

Single row deep groove ball bearings

ABUTMENT

da min - Min shoulder diameter IR	30 mm
da max - Max shoulder diameter IR	31,8 mm
Da max - Max shoulder diameter OR	47 mm
ra max - Max shaft & housing fillet radius	1 mm

INDUSTRY CALCUL FACTORS

Equivalent dynamic radial load

$$P = X.F_r + Y.F_a$$

$\frac{f_0 F_a}{C_0}$	e	Fa / Fr ≤ e		Fa / Fr > e	
		X	Y	X	Y
0.172	0.19	1	0	0.56	2.3
0.345	0.22				1.99
0.689	0.26				1.71
1.03	0.28				1.55
1.38	0.3				1.45
2.07	0.34				1.31
3.45	0.38				1.15
5.17	0.42				1.04
6.89	0.44				1

Equivalent static radial load

$$P_0 = X_0.F_r + Y_0.F_a$$

X_0	Y_0
0.6	0.5

For single or DT bearing arrangement :

If $P_0 < F_r$, then use $P_0 = F_r$



NTN Europe

1 rue des Usines · BP 2017 · 74010 Annecy Cedex · France · Tel. +33 (0)4 50 65 30 00
 S.A. au capital de 322 639 919 € · RCS ANNECY B 325 821 072 · Id. Fiscale : FR 48 325 821 072
 SIRET 325 821 072 00015 · Code APE 2815 Z · Code NACE 28.15