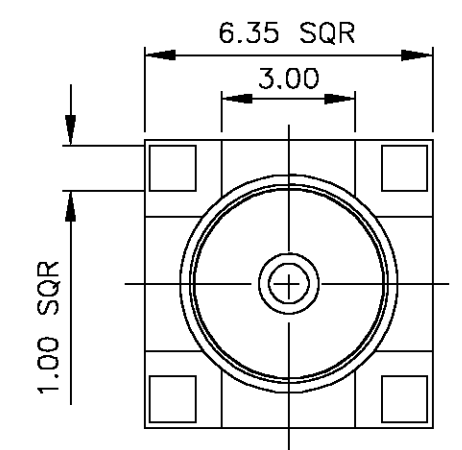
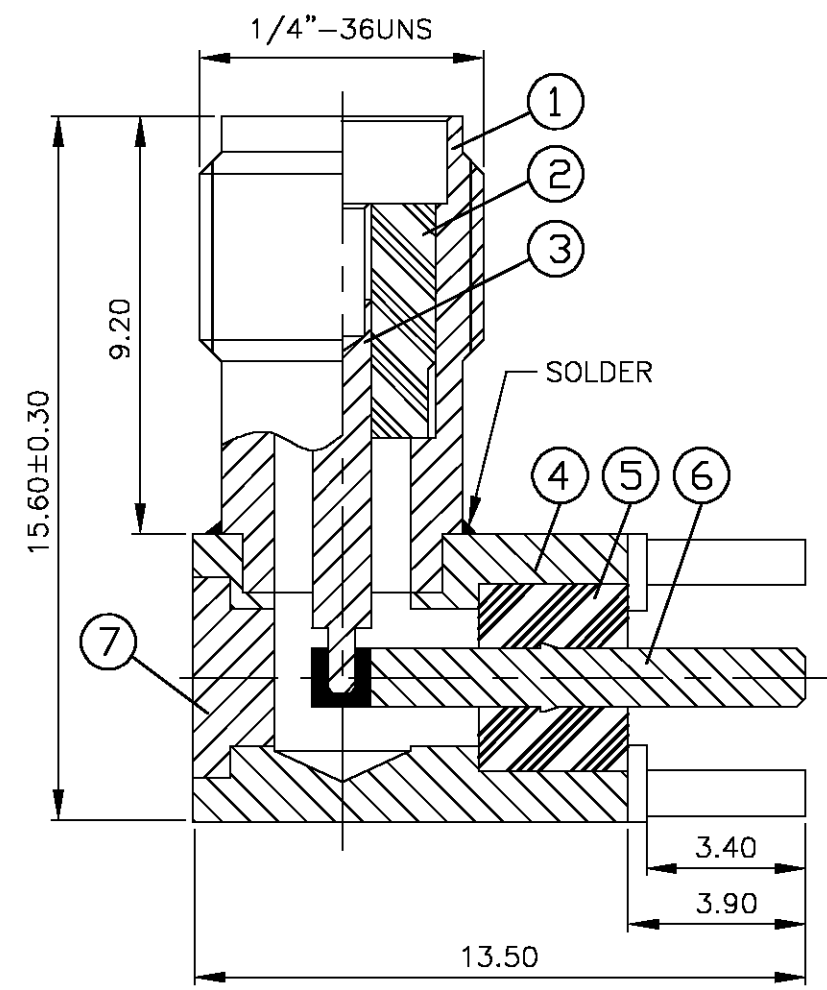


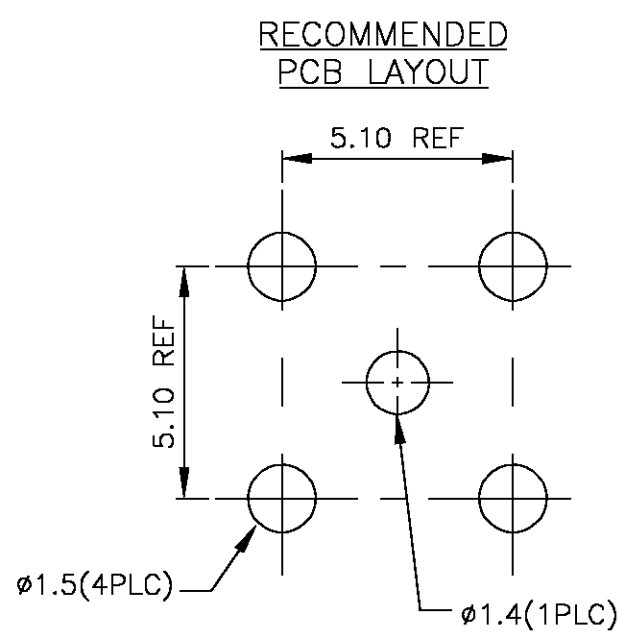
THIS DRAWING IS UNPUBLISHED. RELEASED FOR PUBLICATION DEC ,2003.  
 © COPYRIGHT 2003 BY TYCO ELECTRONICS CORPORATION. ALL RIGHTS RESERVED.

LOC	DIST	REVISIONS			
P	LTR	DESCRIPTION	DATE	DWN	APVD
E	B	A	EBD0-0035-03	09DEC03	JMS FWK

- NOTES:
- ① SINGLE PACK IN ACCORDANCE WITH SPEC 107-3275
  - ② 100 TRAY PACK IN ACCORDANCE WITH SPEC 107-3275
  - ③ 0.08µm Au PLATING OVER 1.27µm Ni PLATING
  - ④ 0.08µm Au PLATING OVER 1.27µm Ni PLATING OVER 0.76µm Cu PLATING
  - ⑤ 0.08µm Au PLATING OVER 1.27µm Ni PLATING OVER 0.76µm Cu PLATING
  - ⑥ 0.76µm Au PLATING OVER 1.27µm Ni PLATING OVER 0.76µm Cu PLATING



QTY	QTY	QTY	QTY	MATERIAL	DESCRIPTION	ITEM
1	1	-	-	BRASS	ACCESS CAP	7
-	-	1	1	STAINLESS STEEL	ACCESS CAP	7
-	1	1	1	BRASS	PIN	6
1	-	-	-	BRASS	PIN	6
1	-	-	-	DELTRIN	INSULATOR	5
-	1	1	1	PTFE	INSULATOR	5
1	1	-	-	BRASS	BODY	4
-	-	1	1	STAINLESS STEEL	BODY	4
-	1	1	1	BERYLLIUM COPPER	SOCKET	3
1	-	-	-	PHOSPHER BRONZE	SOCKET	3
1	-	-	-	DELTRIN	INSULATOR	2
-	1	1	1	PTFE	INSULATOR	2
1	1	-	-	BRASS	BODY	1
-	-	1	1	STAINLESS STEEL	BODY	1
3--1	3--0	1--1	1--0	MATERIAL	DESCRIPTION	ITEM
②	①	②	①			



THIS DRAWING IS A CONTROLLED DOCUMENT.

DWN J.SANDWELL 09DEC03	 Tyco Electronics Corporation Bideford, UK, EX39 4HE
CHK S.PARLOW 09DEC03	
APVD F.WHEELER-KING 09DEC03	NAME SMA RIGHT ANGLE PCB SOCKET RECEPTACLE
PRODUCT SPEC 108-3461	SIZE A3
APPLICATION SPEC 411-3281	CAGE CODE 00779
WEIGHT -	DRAWING NO C-1478978
MATERIAL SEE TABLE	RESTRICTED TO -
CUSTOMER DRAWING	
SCALE NTS	SHEET 1 OF 1
REV A	