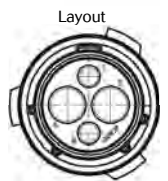


# UTS Series

102W2 (2x#12 + 2x#20)



## Specifications

Contact type	Connector type	Backshell	Part number	
			Male insert	Female insert
Crimp contacts supply separately see page 67	Free hanging receptacle	Cable gland (Fig.1)	UTS1JC102W2P	UTS1JC102W2S
	Plug	Without (Fig.2)	UTS6102W2P	UTS6102W2S
	Plug	Cable gland (Fig.3)	UTS6JC102W2P	UTS6JC102W2S
	Jam nut receptacle	Without (Fig.4)	UTS7102W2P	UTS7102W2S

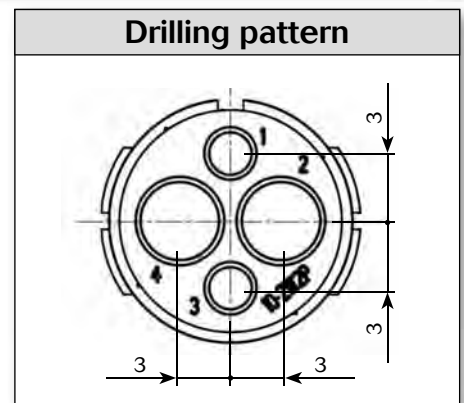
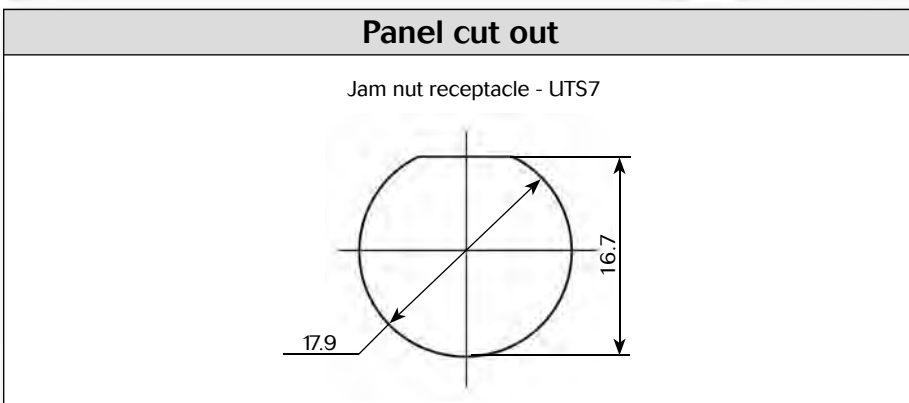
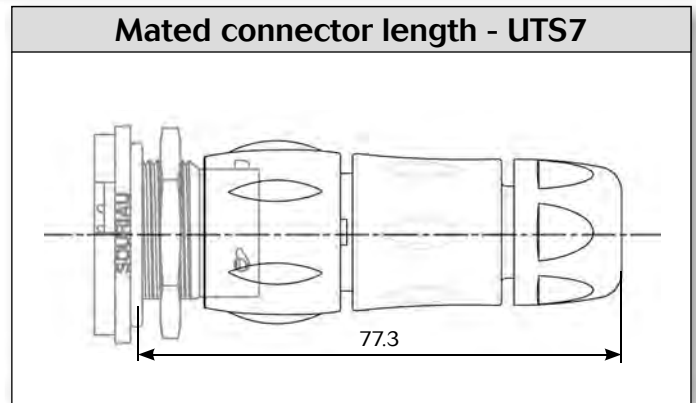
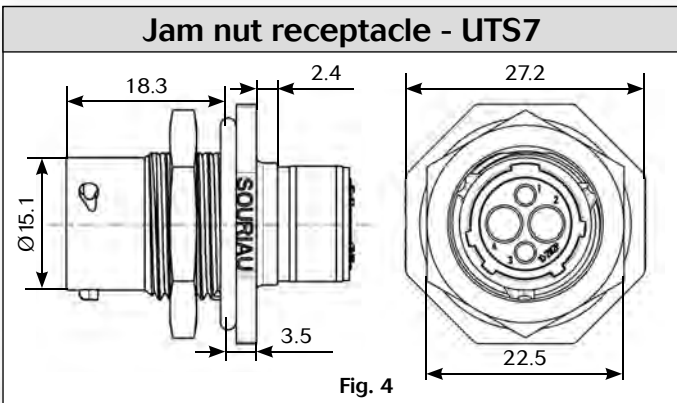
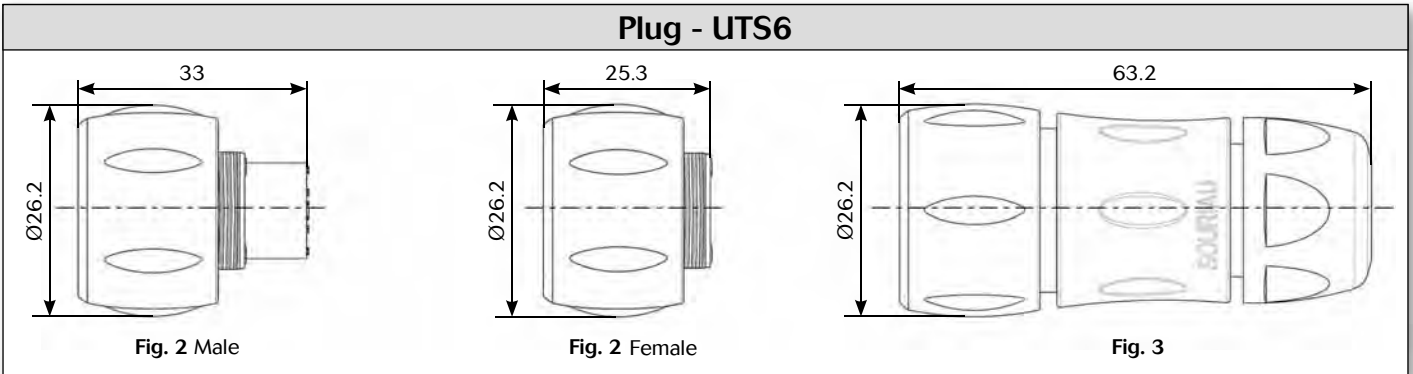
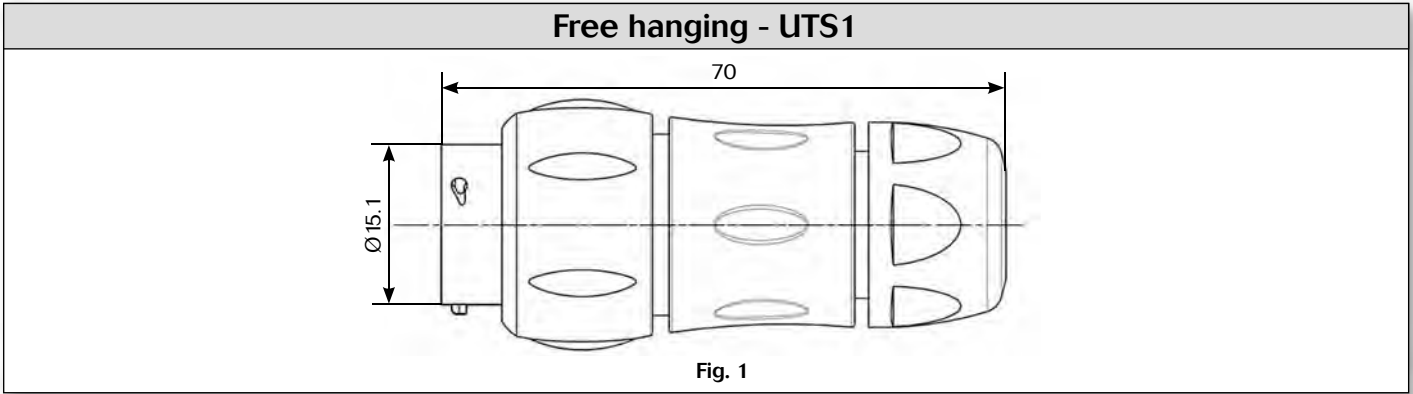
# UTS Series

102W2 (2x#12 + 2x#20)



4 contacts  
25A/150V  
per IEC 61984

## Dimensions



Note: all dimensions are in mm

# UTS Series

102W2 (2x#12 + 2x#20)



## Accessories and tooling

### Jam nut sealing caps

Metal terminal

Part number	Part number
UTS10DCG	UTS10DCGR

### Plug sealing cap

Part number
UTS610DCG

### Plastic protective cap

Part numbers	
Receptacle cap	Plug cap
85005586A	85005595

### Gasket

Part numbers / neoprene
UTFD12B

### Color coding rings

G for Green  
Y for Yellow  
R for Red

Part numbers	
Receptacles	Plugs
UTS710CCRR	UTS610CCRR
UTS710CCRY	UTS610CCRY
UTS710CCRG	UTS610CCRG

\* Add G for Green, Y for Yellow, R for Red

### Crimp tooling #20

Part number	Part number
SHANDLES	TOOLKIT

Contacts	Contact size	Part number of head
RM/RC 24W3K <sup>(1)</sup>	Standard contacts #20 Ø 1mm	S20RM
RM/RC 20W3K <sup>(1)</sup>		S20RM
RM/RC 18W3K <sup>(1)</sup>		S20RM
SM/SC 24W3S <sup>(2)</sup>		S20SCM20
SM/SC 24WL3S <sup>(3)</sup>		S20SCM20
SM/SC 20W3S <sup>(2)</sup>		S20SCM20
SM/SC 20WL3S <sup>(3)</sup>	S20SCM20	

(1): example of plating, for other plating see UTS catalog page 148  
(2): contact reeled (3): loose contact

### Crimp tooling #12

Part number hand tool	Part number positioner + locator setting
M317	VGE10078A

Part number extraction tool
51060210924

# UTS Series

102W2 (2x#12 + 2x#20)



4 contacts  
25A/150V  
per IEC 61984

## Contacts

#20	Contact type	AWG	Part number		Max insulator Ø
			Male	Female	
Crimp	Machined	26-24	RM24W3K <sup>(1)</sup>	RC24W3K <sup>(1)</sup>	1.58
		22-20	RM20W3K <sup>(1)</sup>	RC20W3K <sup>(1)</sup>	1.58
		20-18	RM18W3K <sup>(1)</sup>	RC18W3K <sup>(1)</sup>	2.1
	stamped & formed reeled contacts	26-24	SM24W3TK6 <sup>(2)</sup>	SC24W3TK6 <sup>(2)</sup>	0.89-1.58
		26-24	SM24W3S26 <sup>(2)</sup>	SC24W3S25 <sup>(2)</sup>	0.89-1.58
		22-20	SM20W3TK6 <sup>(2)</sup>	SC20W3TK6 <sup>(2)</sup>	1.17-2.08
		22-20	SM20W3S26 <sup>(2)</sup>	SC20W3S25 <sup>(2)</sup>	1.17-2.08
	PCB	Machined <sup>(3)</sup>	-	RMW5016K	RCW5016K
#12					
Crimp	Machined	22	82911457NA	82911456A	4.9
		20	82911459NA	82911458A	
		18	82911461NA	82911460A	
		16	82911463NA	82911462A	
		14	82911465NA	82911464A	
		12	82911467NA	82911466A	

(1): Example of plating, for other plating see page 143  
 (2): Loose piece contact available if putting L. Example: SM20ML1-TK6  
 (3): For dimensions see page 148

Mechanics

Electrical characteristics
<p><b>UL</b> 20A 500V UL94 V-0</p> <p><b>CSA</b> 18A 500V UL94 V-0</p> <p><b>IEC</b> 25A 150V 2.5kV 3 Temperature elevation: 50°C</p>

