

# TRIO3-PS/3AC/48DC/20 - Power supply



1362784

<https://www.phoenixcontact.com/pc/products/1362784>

Please be informed that the data shown in this PDF document is generated from our online catalog. Please find the complete data in the user documentation. Our general terms of use for downloads are valid.



Primary-switched power supply unit TRIO POWER, Push-in connection, DIN rail mounting, input: 3-phase, output: 48 V DC / 20 A, adjustable from 40 V DC ... 56 V DC

## Product description

All TRIO POWER power supplies feature smart diagnostics with multicolor LEDs and a collective alarm contact. This is used to signal all relevant states such as DC OK, overload, and short circuit. Devices with integrated multi-channel device protection and an IO-Link interface for diagnostics and parameterization are optionally available. The compact devices reduce the installation work, space requirements in the control cabinet, and material costs. TRIO POWER power supplies therefore provide power reliability in one device.

## Your advantages

- Space-saving due to its low overall width and capability of being mounted side by side
- Robust and reliable due to dynamic boost with a powerful output characteristic curve
- Easy handling with Push-in connection technology
- Smart diagnostics with multicolor LEDs and collective relay contact for a clear status display, with optional IO-Link
- High system availability: power reliability in one device due to the integrated compact multi-channel circuit breaker

## Commercial data

Item number	1362784
Packing unit	1 pc
Minimum order quantity	1 pc
Product key	CMPD34
GTIN	4063151706432
Weight per piece (including packing)	2,315 g
Weight per piece (excluding packing)	1,938 g
Customs tariff number	85044095
Country of origin	CN

## Technical data

### Input data

#### AC operation

Supply system configuration	Star network (TN, TT, IT (PE))
Nominal input voltage range	3x 400 V AC ... 500 V AC
Input voltage range	3x 400 V AC ... 500 V AC -20 % ... +10 % 2x 400 V AC ... 500 V AC $\pm$ 10 %
Typical national grid voltage	3x 400 V AC 3x 480 V AC
Voltage type of supply voltage	AC
Inrush current	< 21 A (25 °C)
Inrush current integral ( $I^2t$ )	< 0.94 A <sup>2</sup> s
Frequency range ( $f_N$ )	50 Hz ... 60 Hz
Mains buffering time	typ. 34 ms (3x 400 V AC) typ. 34 ms (3x 480 V AC)
Current consumption	3x 1.5 A (3x 400 V AC) 3x 1.2 A (3x 500 V AC) 2x 2.6 A (2x 400 V AC) 2x 2.1 A (2x 500 V AC)
Protective circuit	Transient protection; Varistor
Power factor (cos phi)	0.94 (3x 480 V AC)
Device mains fuse	6.3 A internal (device protection)
Recommended breaker for input protection	3x 6 A ... 20 A (Characteristic B, C, D, K or comparable)
Discharge current to PE	< 3.5 mA

### Output data

Efficiency	typ. 96.1 % (3x 400 V AC) typ. 96.3 % (3x 480 V AC)
Nominal output voltage	48 V DC
Setting range of the output voltage ( $U_{Set}$ )	40 V DC ... 56 V DC (> 48 V DC, constant capacity restricted)
Nominal output current ( $I_N$ )	20 A
Dynamic Boost ( $I_{Dyn.Boost}$ )	max. 30 A (5 s)
Short-circuit-proof	yes
No-load proof	yes
Derating	60 °C ... 70 °C
Crest factor	typ. 1.56 (3x 400 V AC) typ. 1.57 (3x 480 V AC)
Output power ( $P_N$ )	960 W
Output power ( $P_{Dyn.Boost}$ )	max. 1440 W (5 s)
Connection in parallel	yes, for increased efficiency and redundancy
Connection in series	yes, for increased output voltage (observe SELV limit)
Feedback voltage resistance	$\leq$ 60 V DC

# TRIO3-PS/3AC/48DC/20 - Power supply



1362784

<https://www.phoenixcontact.com/pc/products/1362784>

Protection against overvoltage at the output (OVP)	≤ 60 V DC
Residual ripple	typ. 50 mV <sub>PP</sub> (with nominal values)
Control deviation	< 1 % (change in load, static 10 % ... 90 %)
	< 3 % (change in load, dynamic 10 % ... 90 %)
	< 0.1 % (change in input voltage ±10 %)
Rise time	≤ 1 s (U <sub>Out</sub> = 10 % ... 90 %)
Minimum no-load power dissipation	< 0.3 W (3x 400 V AC)
Maximum no-load power dissipation	< 0.26 W (3x 480 V AC)
Minimum nominal load power dissipation	< 43.21 W (3x 400 V AC)
Power loss nominal load max.	< 35.65 W (3x 480 V AC)
Integrated fuse protection	no
Fuse protection (secondary side)	electronic

## Connection data

### Input

Position	1.x
----------	-----

### Connection technology

Position marking	1.1 (L1), 1.2 (L2), 1.3 (L3), 1.4 (⊕, ⊖, PE, N)
------------------	---

### Conductor connection

Connection method	Push-in connection
rigid	0.2 mm <sup>2</sup> ... 4 mm <sup>2</sup>
	1.5 mm <sup>2</sup> (recommended)
flexible	0.2 mm <sup>2</sup> ... 2.5 mm <sup>2</sup>
	1.5 mm <sup>2</sup> (recommended)
flexible with ferrule without plastic sleeve	0.25 mm <sup>2</sup> ... 2.5 mm <sup>2</sup>
	1.5 mm <sup>2</sup> (recommended)
flexible with ferrule with plastic sleeve	0.25 mm <sup>2</sup> ... 2.5 mm <sup>2</sup>
	1.5 mm <sup>2</sup> (recommended)
AWG	24 ... 12 (Cu)
	16 (recommended)
Stripping length	10 mm (Rigid/flexible/ferrule)

### Output

Position	2.x
----------	-----

### Connection technology

Position marking	2.1, 2.2 (+), 2.3, 2.4, 2.5 (-)
------------------	---------------------------------

### Conductor connection

Connection method	Push-in connection
rigid	0.2 mm <sup>2</sup> ... 10 mm <sup>2</sup>
	4 mm <sup>2</sup> (recommended)
flexible	0.2 mm <sup>2</sup> ... 6 mm <sup>2</sup>
	4 mm <sup>2</sup> (recommended)

# TRIO3-PS/3AC/48DC/20 - Power supply



1362784

<https://www.phoenixcontact.com/pc/products/1362784>

flexible with ferrule without plastic sleeve	0.25 mm <sup>2</sup> ... 6 mm <sup>2</sup> (Cu)
	4 mm <sup>2</sup> (recommended)
flexible with ferrule with plastic sleeve	0.25 mm <sup>2</sup> ... 6 mm <sup>2</sup>
	4 mm <sup>2</sup> (recommended)
AWG	24 ... 8 (Cu)
	12 (recommended)
Stripping length	12 mm (Rigid/flexible/ferrule)

## Signal

Position	3.x
----------	-----

## Connection technology

Position marking	3.1 (13), 3.2 (14)
------------------	--------------------

## Conductor connection

Connection method	Push-in connection
rigid	0.2 mm <sup>2</sup> ... 1.5 mm <sup>2</sup>
	0.5 mm <sup>2</sup> (recommended)
flexible	0.2 mm <sup>2</sup> ... 1.5 mm <sup>2</sup>
	0.5 mm <sup>2</sup> (recommended)
flexible with ferrule without plastic sleeve	0.25 mm <sup>2</sup> ... 1.5 mm <sup>2</sup> (Cu)
	0.5 mm <sup>2</sup> (recommended)
flexible with ferrule with plastic sleeve	0.25 mm <sup>2</sup> ... 0.75 mm <sup>2</sup>
	0.5 mm <sup>2</sup> (recommended)
AWG	24 ... 16 (Cu)
	20 (recommended)
Stripping length	10 mm (Rigid/flexible/ferrule)

## Signaling

### LED signaling

Types of signaling	DC OK LED - signal state operation ( $U_N = 48 \text{ V DC}$ , $I_{Out} = I_N$ )
Function	Visual operating state display
Color	red, yellow, green (multicolor LED)
LED off	Supply voltage input AC not present (Off)
LED on (green), DC OK	$U_{Out} > 36 \text{ V DC}$ and $I_{Out} < 0.9 \times I_N$ (On (green), DC OK)
LED on (yellow), $I_{Out} > 90 \%$	$U_{Out} > 36 \text{ V DC}$ and $I_{Out} > 0.9 \times I_N$ (On (yellow), $I_{Out} > 90\%$ )
LED on (red), ISHORT	$U_{Out} < 36 \text{ V DC}$ and $I_{Out} > 0.9 \times I_N$ (On (red), $I_{SHORT}$ )
LED on (flashing red) OVP	$U_{OUT} > OVP$ (Over voltage protection) (on (flashing red))

### Signal output DC OK

Position	3.x
Type of signaling	DC OK switch contact - signal state operation ( $U_N = 48 \text{ V DC}$ , $I_{Out} = I_N$ )
Position marking	3.1 (13), 3.2 (14)
Function	Operating state forwarding
Switch contact (floating)	OptoMOS

# TRIO3-PS/3AC/48DC/20 - Power supply



1362784

<https://www.phoenixcontact.com/pc/products/1362784>

Switching voltage	max. 60 V DC (SELV)
Current carrying capacity	max. 50 mA
State condition (Contact closed)	$U_{Out} > 36 \text{ V DC}$ and $I_{Out} < 0.9 \times I_N$ (Contact closed)
State condition (Contact open)	$U_{Out} < 36 \text{ V DC}$ or $I_{Out} > 0.9 \times I_N$ (averaging over 60 s) (Contact open)

## Electrical properties

Number of phases	3
Insulation voltage input/output	3 kV AC (type test)
	3.1 kV DC (routine test)

## Product properties

Product family	TRIO POWER
MTBF (IEC 61709, SN 29500)	> 1100000 h (25 °C)
	> 660000 h (40 °C)
	> 270000 h (60 °C)
Environmental protection directive	RoHS Directive 2011/65/EU
	WEEE
	Reach

## Insulation characteristics

Protection class	I
Degree of pollution	2

## Dimensions

### Item dimensions

Width	90 mm
Height	135 mm
Depth	167 mm
Depth (Device depth (DIN rail mounting))	160 mm (Device depth (DIN rail mounting))

### Installation dimensions

Installation distance right/left	0 mm / 0 mm
Installation distance top/bottom	50 mm / 50 mm

## Mounting

Mounting type	DIN rail mounting
Assembly note	alignable: horizontally 0 mm, vertically 50 mm
Mounting position	horizontal DIN rail NS 35, EN 60715

## Material specifications

Flammability rating according to UL 94	V0 (Housing, terminal blocks)
Hood version	Polycarbonate
Side element version	Aluminum

## Environmental and real-life conditions

# TRIO3-PS/3AC/48DC/20 - Power supply



1362784

<https://www.phoenixcontact.com/pc/products/1362784>

## Ambient conditions

Degree of protection	IP20
Ambient temperature (operation)	-25 °C ... 70 °C (> 60 °C Derating: 2,5 %/K)
Ambient temperature (storage/transport)	-40 °C ... 85 °C
Ambient temperature (start-up type tested)	-40 °C
Maximum altitude	≤ 5000 m
Maximum altitude (Output power derating)	> 2000 m (Derating: 10%/1000 m)
Max. permissible relative humidity (operation)	≤ 95 % (at 25 °C, non-condensing)
Shock (operation)	18 ms, 30g, per spatial direction (IEC 60068-2-27)
Vibration (operation)	10 Hz ... 50 Hz, amplitude ±0.2 mm (IEC 60068-2-6) 50 Hz ... 150 Hz, 2.3g, 90 min.
Temp code	T4 (-25 ... +70 °C; > 60 °C, Derating: 2,5 %/K)

## Standards and regulations

### Overvoltage category

EN 61010-1	III (≤ 2000 m)
	II (≤ 5000 m)

### Overvoltage category

EN 61010-2-201	III (≤ 2000 m)
	II (≤ 5000 m)

### Safety of power supply units up to 1100 V (insulation distances)

Standard designation	Safety of power supply units up to 1100 V (insulation distances)
Standards/specifications	DIN EN 61558-2-16

### Electrical safety

Standard designation	Electrical safety
Standards/specifications	IEC 61010-2-201 (SELV)

### Safety for measurement, control, and laboratory equipment

Standard designation	Safety for equipment for measurement, control, and laboratory use
Standards/specifications	IEC 61010-1

### Safety extra-low voltage

Standard designation	Safety extra-low voltage
Standards/specifications	IEC 61010-1 (SELV)

### Protective extra-low voltage

Standard designation	Protective extra-low voltage
Standards/specifications	IEC 61010-2-201 (PELV)

### Safe isolation

Standard designation	Safe isolation
Standards/specifications	IEC 61558-2-16
	IEC 61010-2-201

## Limitation of harmonic line currents

Standard designation	Limitation of harmonic line currents
Standards/specifications	EN 61000-3-2

## Mains variation/undervoltage

Standard designation	Mains variation/undervoltage
Standards/specifications	SEMI F47
	EN 61000-4-11

## Approvals

### UL

Identification	UL/C-UL Listed UL 61010-1
----------------	---------------------------

### UL

Identification	UL/C-UL Listed UL 61010-2-201
----------------	-------------------------------

### ANSI/UL 121201

Identification	PROCESS CONTROL EQUIPEMENT FOR HAZARDOUS LOCATIONS
	(EN) • This equipment is suitable for use in Class I, Division 2, Groups A, B, C and D, Hazardous Locations, or non-hazardous locations only. (FR) • Cet appareil convient uniquement pour une utilisation en atmosphères explosibles de classe I, division 2, groupes A, B, C et D ou en atmosphères non explosibles.
	(EN) • WARNING: Explosion Hazard - Do not connect or disconnect equipment unless power has been switched off or the area is known to be non-hazardous. (FR) • AVERTISSEMENT : risque d'explosion - ne pas connecter ou déconnecter les équipements sauf si l'alimentation a été coupée ou si la zone est réputée non dangereuse.
	(EN) • If the equipment is used in a manner not specified by the manufacturer, the protection provided by the equipment may be impaired. (FR) • Si l'équipement est utilisé d'une manière non spécifiée par le fabricant, la protection fournie par cet équipement peut être altérée.
	(EN) • This equipment must be installed in a suitable, tool secured/key locked enclosure. (FR) • Cet équipement doit être installé dans un boîtier approprié, verrouillé par une clé ou dont l'ouverture nécessite l'utilisation d'un outil.

## EMC data

Electromagnetic compatibility	Conformance with EMC Directive 2014/30/EU
Low Voltage Directive	Conformance with Low Voltage Directive 2014/35/EC
Interference emission	Interference emission in accordance with EN 61000-6-3 (residential and commercial) and EN 61000-6-4 (industrial)
Noise immunity	Immunity in accordance with EN 61000-6-1 (residential), EN 61000-6-2 (industrial)

# TRIO3-PS/3AC/48DC/20 - Power supply



1362784

<https://www.phoenixcontact.com/pc/products/1362784>

## Conducted noise emission

Standards/regulations	EN 55016
	EN 61000-6-3 (Class B)

## Noise emission

Standards/regulations	EN 55016
	EN 61000-6-3 (Class B)

## Harmonic currents

Standards/regulations	EN 61000-3-2
	EN 61000-3-2 (Class A)
Frequency range	0 kHz ... 2 kHz

## Flicker

Standards/regulations	EN 61000-3-3
	EN 61000-3-3

## Electrostatic discharge

Standards/regulations	EN 61000-4-2
-----------------------	--------------

## Electrostatic discharge

Contact discharge	6 kV (Test Level 3)
Discharge in air	8 kV (Test Level 3)
Comments	Criterion B

## Electromagnetic HF field

Standards/regulations	EN 61000-4-3
-----------------------	--------------

## Electromagnetic HF field

Frequency range	80 MHz ... 1 GHz
Test field strength	10 V/m (Test Level 3)
Frequency range	1 GHz ... 6 GHz
Test field strength	10 V/m (Test Level 3)
Comments	Criterion A

## Fast transients (burst)

Standards/regulations	EN 61000-4-4
-----------------------	--------------

## Fast transients (burst)

Input	asymmetrical 2 kV (Test Level 3)
Output	asymmetrical 2 kV (Test Level 3)
Signal	asymmetrical 1 kV (Test Level 3)
Comments	Criterion A

## Surge voltage load (surge)

Standards/regulations	EN 61000-4-5
-----------------------	--------------

## Surge voltage load (surge)

# TRIO3-PS/3AC/48DC/20 - Power supply



1362784

<https://www.phoenixcontact.com/pc/products/1362784>

Input	symmetrical 2 kV (Test Level 4)
	asymmetrical 4 kV (Test Level 4)
Output	symmetrical 1 kV (Test Level 3)
	asymmetrical 2 kV (Test Level 3)
Signal	asymmetrical 1 kV (Test Level 2)
Comments	Criterion A

## Conducted interference

Standards/regulations	EN 61000-4-6
-----------------------	--------------

## Conducted interference

Input/output/signal	asymmetrical
Frequency range	0.15 MHz ... 80 MHz
Comments	Criterion A
Voltage	10 V (Test Level 3)

## Voltage dips

Standards/regulations	EN 61000-4-11
Voltage	400 V AC
Frequency	50 Hz
Voltage dip	70 %
Number of periods	25 periods
Additional text	Class 3
Comments	Criterion A
Voltage dip	40 %
Number of periods	10 periods
Additional text	Class 3
Comments	Criterion B
Voltage dip	0 %
Number of periods	1 period
Additional text	Class 3
Comments	Criterion A

## Criteria

Criterion A	Normal operating behavior within the specified limits.
Criterion B	Temporary impairment to operational behavior that is corrected by the device itself.
Criterion C	Temporary adverse effects on the operating behavior, which the device corrects automatically or which can be restored by actuating the operating elements.

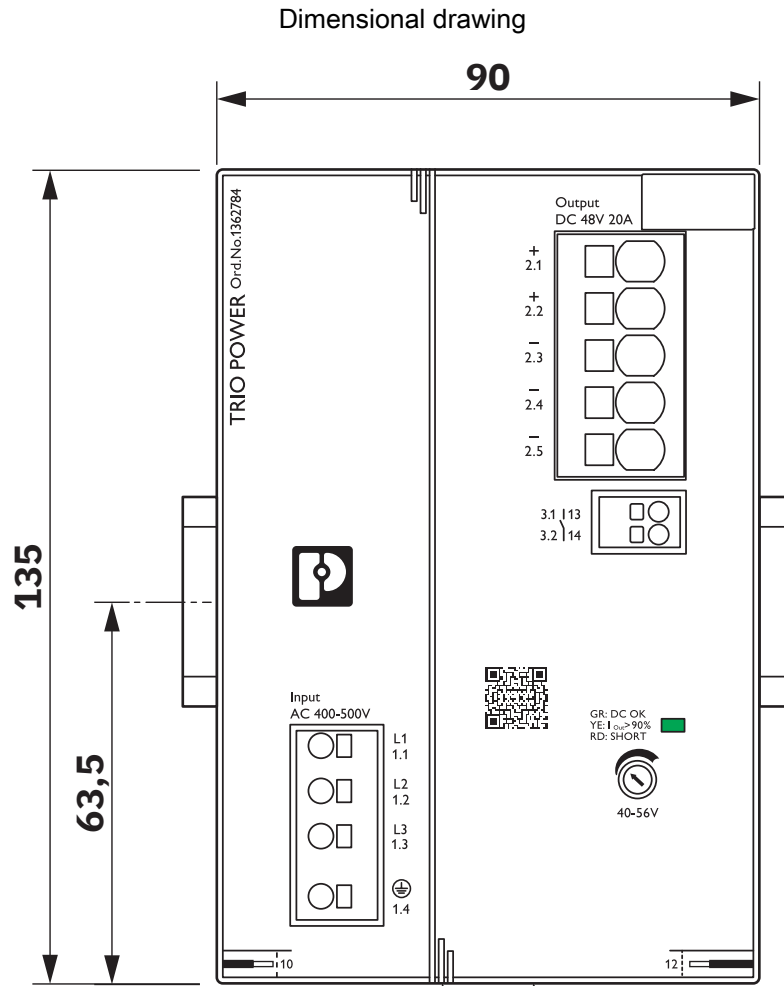
# TRIO3-PS/3AC/48DC/20 - Power supply



1362784

<https://www.phoenixcontact.com/pc/products/1362784>

## Drawings



Device dimensions (dimensions in mm)

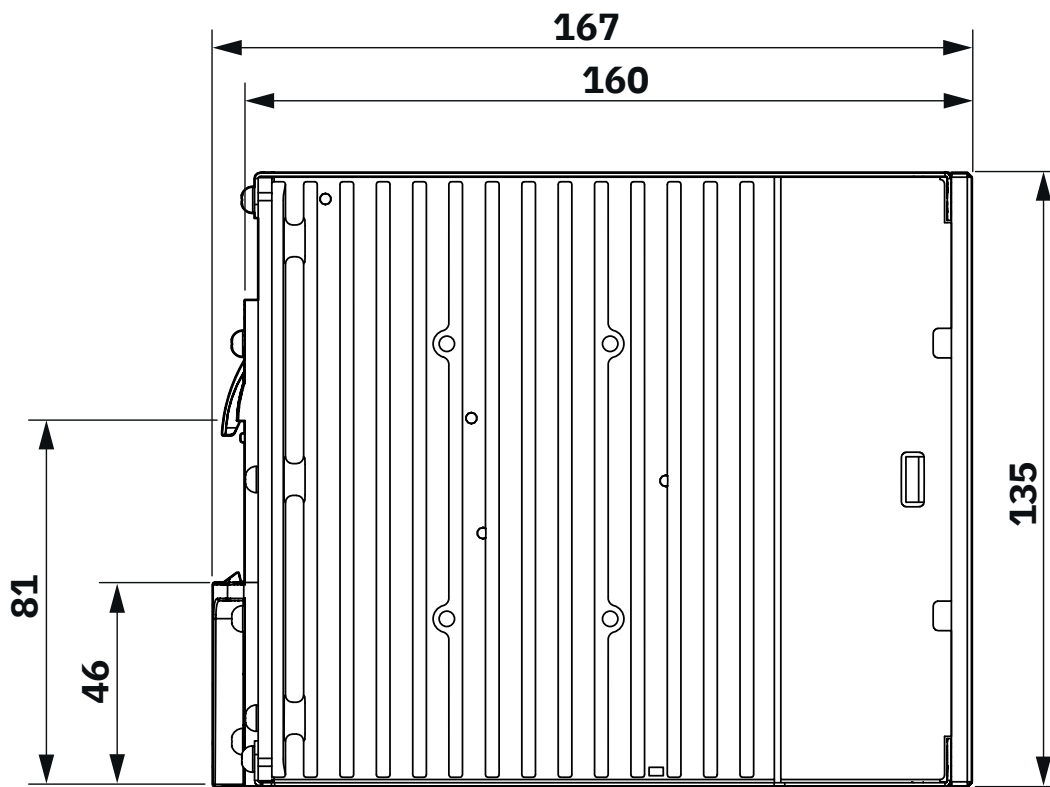
# TRIO3-PS/3AC/48DC/20 - Power supply



1362784

<https://www.phoenixcontact.com/pc/products/1362784>

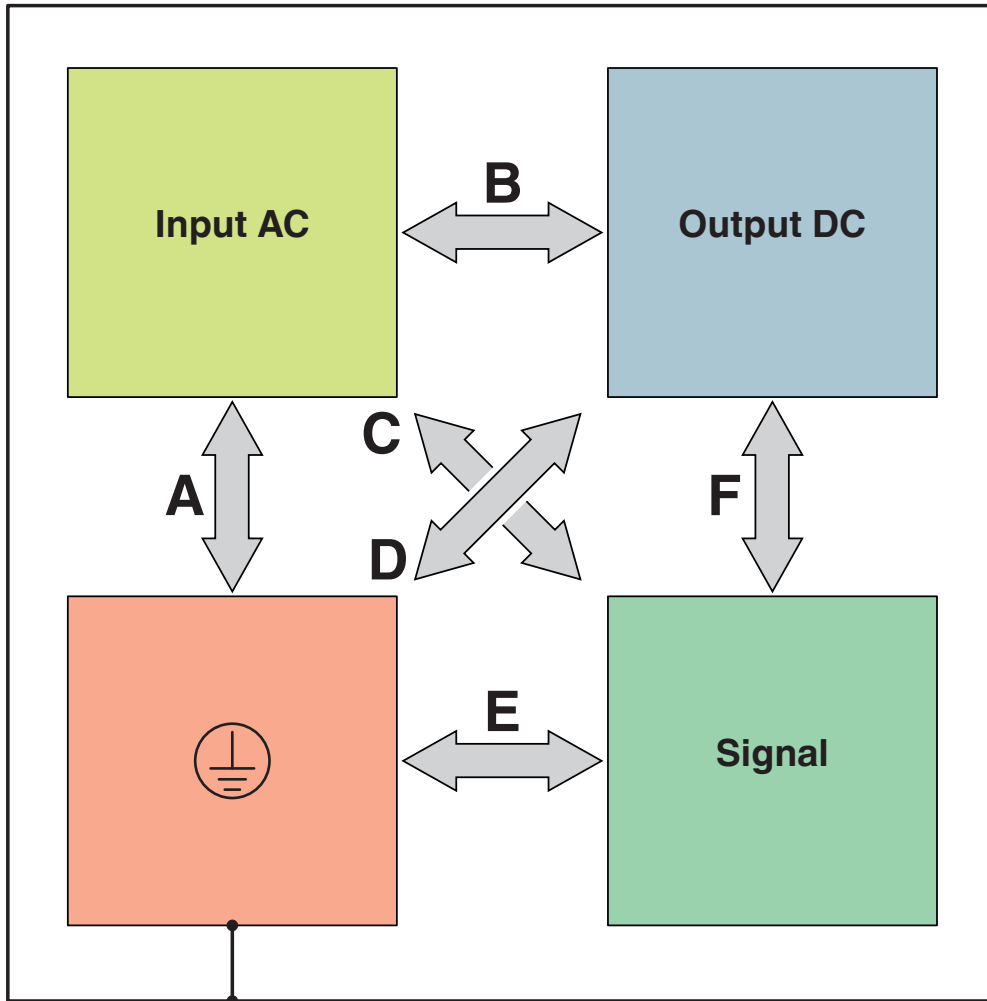
Dimensional drawing



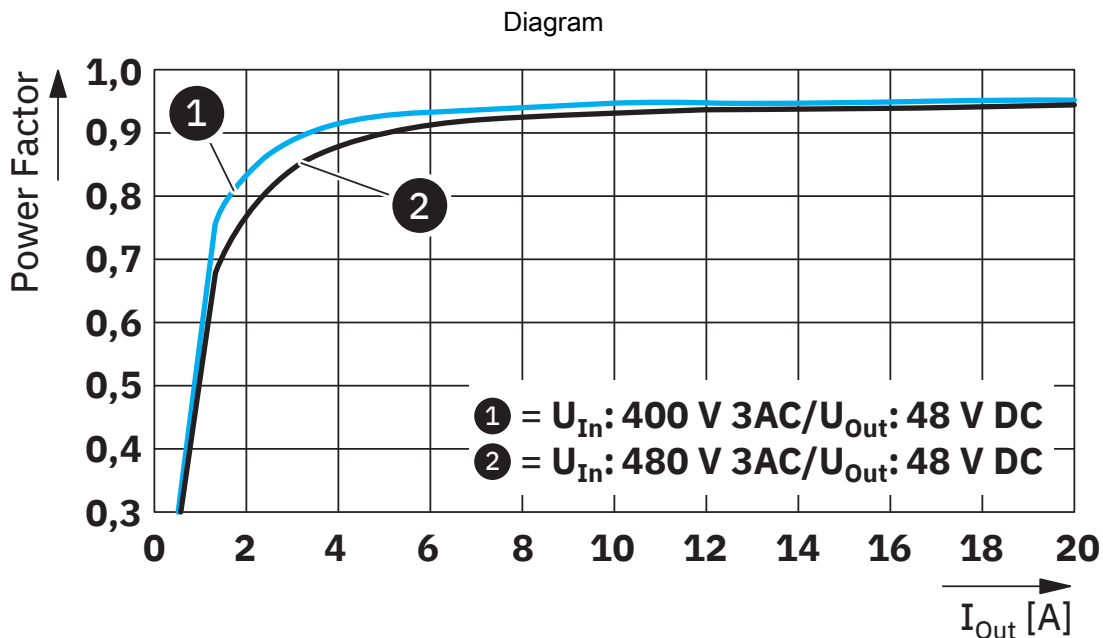
Device dimensions (dimensions in mm)

Schematic diagram

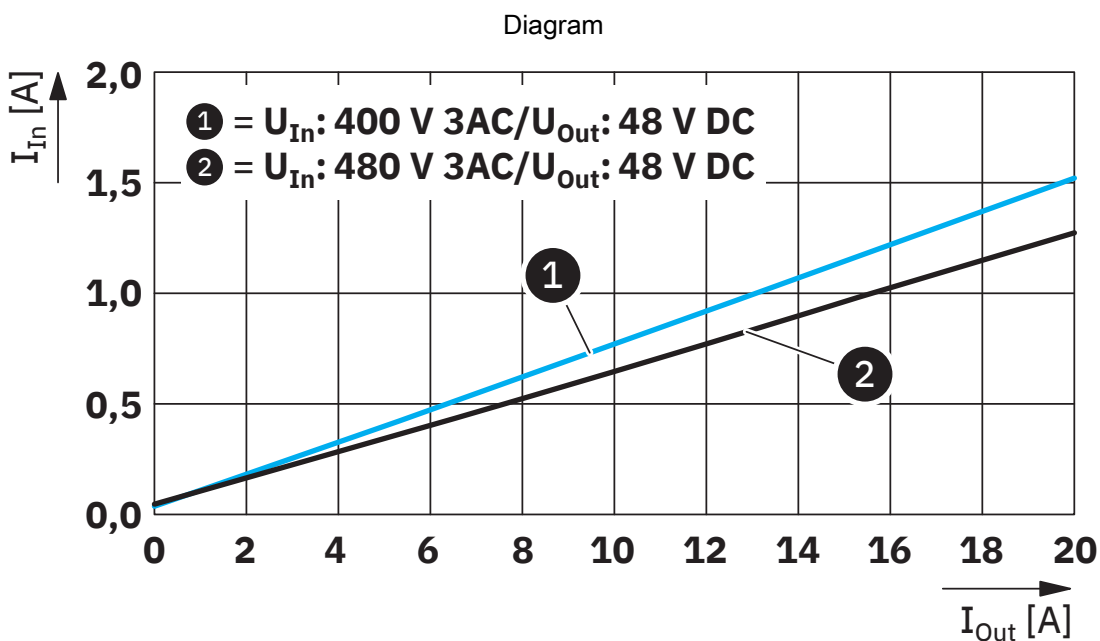
# Housing



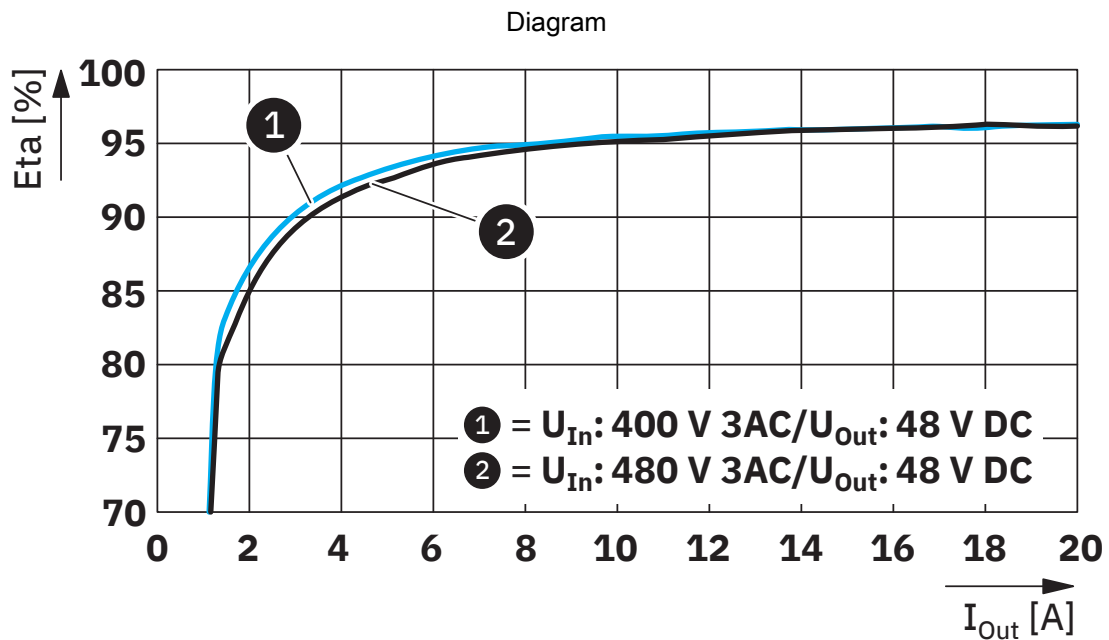
Test sections, insulation voltage



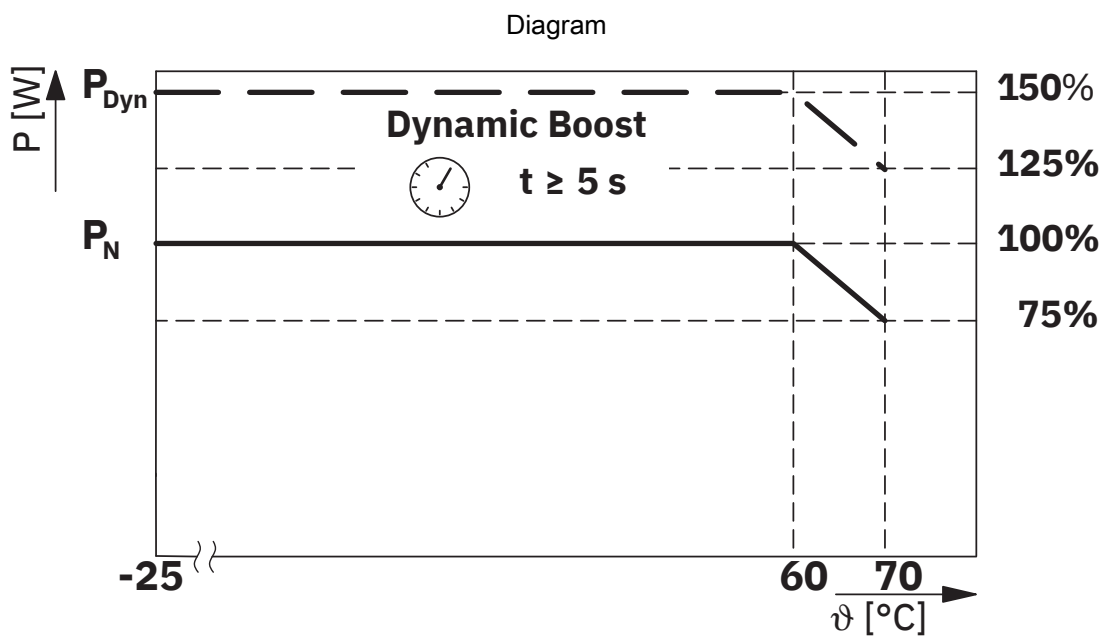
Power factor



Input current/output current



Efficiency

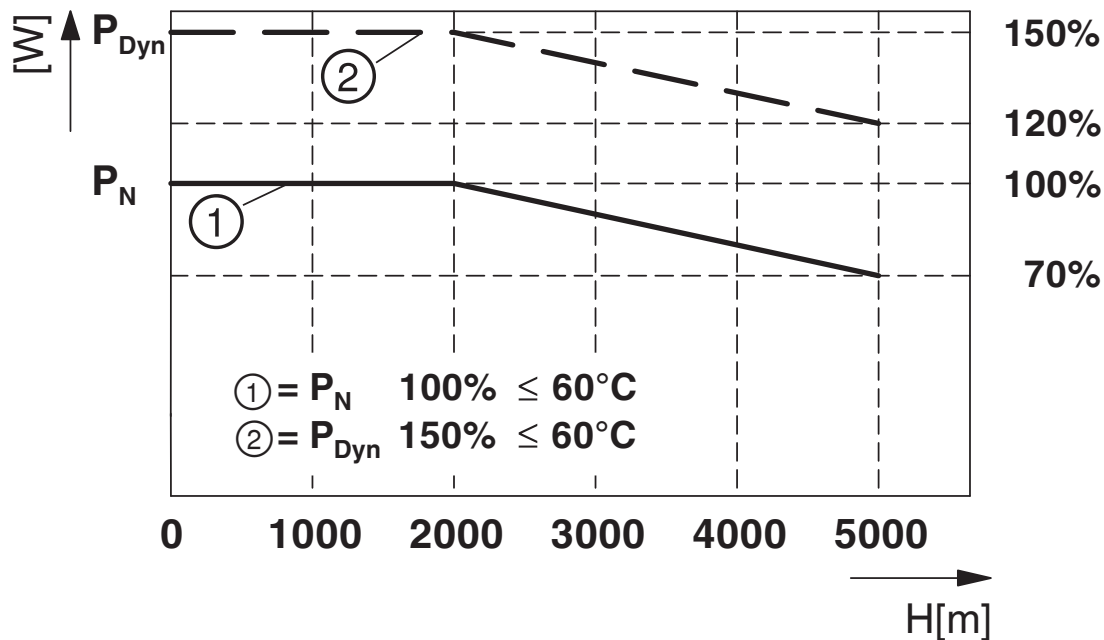


Temperature-dependent derating

1362784

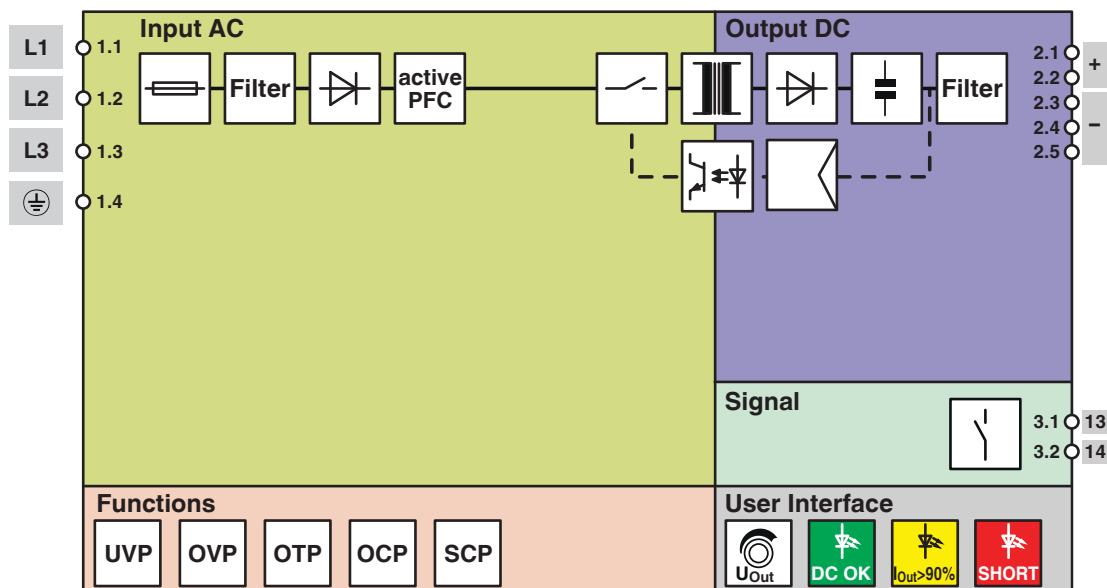
<https://www.phoenixcontact.com/pc/products/1362784>

Diagram



Altitude-dependent derating

Block diagram



Block diagram

# TRIO3-PS/3AC/48DC/20 - Power supply



1362784

<https://www.phoenixcontact.com/pc/products/1362784>

## Approvals

To download certificates, visit the product detail page: <https://www.phoenixcontact.com/pc/products/1362784>



**IECEE CB Scheme**  
Approval ID: DK-153619-UL



**cULus Listed**  
Approval ID: E123528-20240426



**cULus Listed**  
Approval ID: E199827-20240506

# TRIO3-PS/3AC/48DC/20 - Power supply



1362784

<https://www.phoenixcontact.com/pc/products/1362784>

## Classifications

### ECLASS

ECLASS-13.0	27040701
ECLASS-15.0	27040701

### ETIM

ETIM 10.0	EC002540
-----------	----------

### UNSPSC

UNSPSC 21.0	39121000
-------------	----------

# TRIO3-PS/3AC/48DC/20 - Power supply



1362784

<https://www.phoenixcontact.com/pc/products/1362784>

## Environmental product compliance

### EU RoHS

Fulfills EU RoHS substance requirements	Yes
Exemption	7(a), 7(c)-I

### China RoHS

Environment friendly use period (EFUP)	EFUP-25
	An article-related China RoHS declaration table can be found in the download area for the respective article under "Manufacturer declaration". For all articles with EFUP-E, no China RoHS declaration table issued and required.

### EU REACH SVHC

REACH candidate substance (CAS No.)	Lead(CAS: 7439-92-1)
-------------------------------------	----------------------

# TRIO3-PS/3AC/48DC/20 - Power supply



1362784

<https://www.phoenixcontact.com/pc/products/1362784>

## Accessories

### POTI SEALING PLUG - Sealing plug

1175957

<https://www.phoenixcontact.com/pc/products/1175957>



Sealing plug for protection against manipulation (adjustment of the DC output voltage) by sealing off the potentiometer opening

---

### WT-HF 3,6X140 - Cable tie

3240744

<https://www.phoenixcontact.com/pc/products/3240744>



Cable binders for quick and secure bundling, standard version

# TRIO3-PS/3AC/48DC/20 - Power supply



1362784

<https://www.phoenixcontact.com/pc/products/1362784>

## UWA 182/52 - Mounting adapter

2938235

<https://www.phoenixcontact.com/pc/products/2938235>



Universal wall adapter for securely mounting the device in the event of strong vibrations. The device is screwed directly onto the mounting surface. The universal wall adapter is attached on the top/bottom.

---

## EML (10X7)R - Label

0816663

<https://www.phoenixcontact.com/pc/products/0816663>



Label, Roll, white, unmarked, can be labeled with: THERMOMARK E.300 (D)/600 (D), THERMOMARK ROLL 2.0, THERMOMARK ROLL, THERMOMARK ROLL X1, THERMOMARK ROLLMASTER 300/600, THERMOMARK X1.2, mounting type: adhesive, Number of individual labels: 10000, text field height: 7 mm, text field width: 10 mm

# TRIO3-PS/3AC/48DC/20 - Power supply



1362784

<https://www.phoenixcontact.com/pc/products/1362784>

## EML (10X7)R YE - Label

0816676

<https://www.phoenixcontact.com/pc/products/0816676>



Label, Roll, yellow, unmarked, can be labeled with: THERMOMARK E.300 (D)/600 (D), THERMOMARK ROLL 2.0, THERMOMARK ROLL, THERMOMARK ROLL X1, THERMOMARK ROLLMASTER 300/600, THERMOMARK X1.2, mounting type: adhesive, Number of individual labels: 10000, text field height: 7 mm, text field width: 10 mm

---

Phoenix Contact 2026 © - all rights reserved

<https://www.phoenixcontact.com>

PHOENIX CONTACT GmbH & Co. KG

Flachsmarktstraße 8

D-32825 Blomberg

+49 (0) 5235-3 00

[info@phoenixcontact.com](mailto:info@phoenixcontact.com)