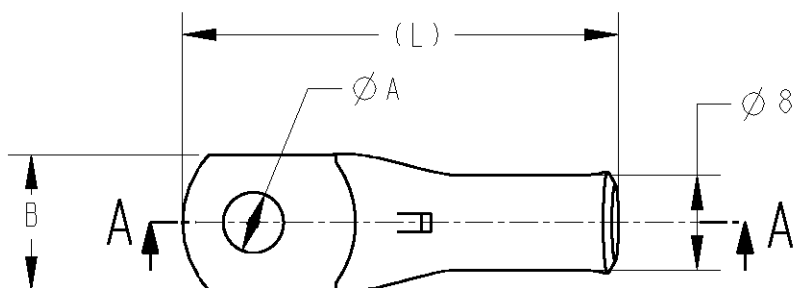
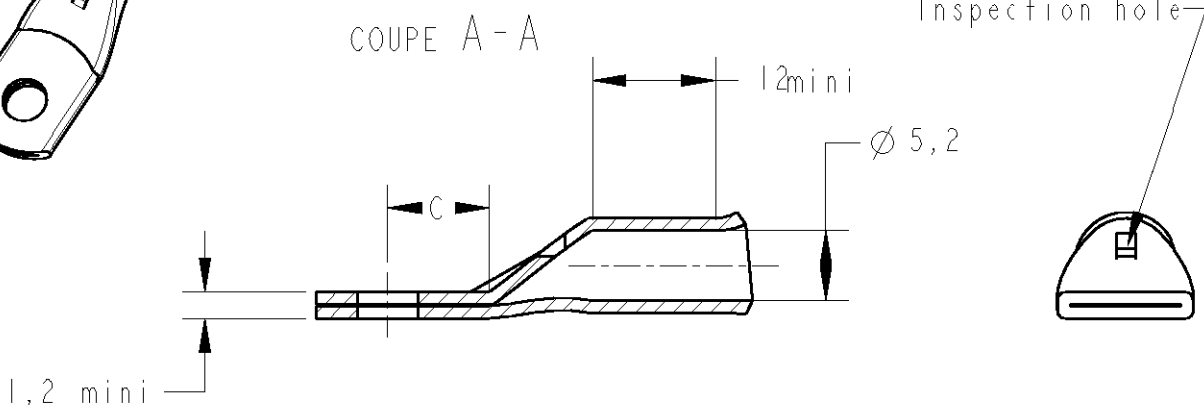
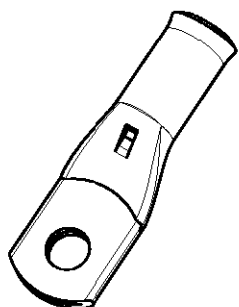


LOC	DIST	REVISIONS				
P	LTR REV	DESCRIPTION MODIFICATIONS	DATE	DWN DESS.	APVD APP.	
FH	2	C	PASSAGE SOUS PROE - A ET R 09PFG0170b	15DEC00	DL	JT



(L)	C	B	ØA	DESCRIPTION	PART NUMBER
33,5	7	12	5,2	XCT 16-5	710030-1
33,5	7	12	6,4	XCT 16-6	710030-3
39	9	16	8,3	XCT 16-8	710030-5
43	11	16	10,3	XCT 16-10	710030-7
43	11	16	12,2	XCT 16-12	710030-8

- 1 - MATERIAL = TINNED COPPER
- 2 - Marking in depth: logo-section-hole-Made in France +
- 3 - CABLE SECTION = 5AWG or 16mm²
- 4 - GROOVE E16Cu OR DIE (Punch 17P16+ Die 17M16)

TOLERANCES UNLESS OTHERWISE SPECIFIED: -
 TOLERANCES NON SPECIFIEES: -

20
 RELEASED FOR PUBLICATION
 LIBRE A LA DIFFUSION
 BY TYCO ELECTRONICS CORPORATION. ALL RIGHTS RESERVED.
 DIFFUSION RESTREINTE AMP
 COPYRIGHT 20

DIMENSIONS: mm TOLERANCES UNLESS OTHERWISE SPECIFIED: TOLERANCES NON SPECIFIEES (SUIV NB DE DECIMALES): 0 PLC / DEC: ±0 1 PLC / DEC: ±0 2 PLC / DEC: ±0 3 PLC / DEC: ±0 4 PLC / DEC: ±0 ANGLES ±-	DWN / DESSINE D. LEGUY	15DEC00	MATERIAL MATIERE	CUIVRE	FINISH FINITION	ETAME		
	CHK / VERIFIE P. VINCENT	-	AMP SIMEL 21220 Gevrey-Chambertin, FRANCE					
	APVD / APPROUVE JC. THIARD	-						
	PRODUCT SPEC SPEC. PRODUIT	-	NAME TITRE	XCT 16-..				
APPLICATION SPEC SPEC. APPLICATION	-	SIZE FORMAT	CAGE CODE	DRAWING NO No PLAN	RESTRICTED TO RESERVE A			
WEIGHT MASSE APPROX.	A4		00779	G=710030	-			
CUSTOMER DRAWING		/PLAN CLIENT		UNIQUEMENT POUR REFERENCE	SCALE EHELLE - / -	SHEET FEUILLE 1	OF DE 1	REV C