

Ganz Genstar IP Bullet Serie



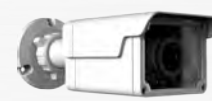
Whether equipped with a varifocal lens with 3-12mm or a fixed lens with 3.6mm: Both IP Bullet Cameras are conceived and designed for outdoor use. Furthermore, they also feature IR LEDs and ensure clear visibility even in complete darkness. Various image-enhancing functions access especially in difficult ambient conditions.

- H.264 & MJPEG
- 3.6mm fix / 3.0mm - 12mm vario
- DWDR
- 1/3" CMOS
- Full-HD with up to 30 Frames / Sec
- Integrated IR-LEDs
- 4 Megapixel

Order data

Order number	Product description
ZN8-BANVF59	H.264 4 Megapixel, 3.0mm - 12mm, mechanical Day/Night switching, max. 30fps, IR-LEDs 20-25m, DWDR, AGC, DIS, POI, 2/3DNR, 12VDC / PoE, 264.5mm (H) x 80.3mm (Ø), 780g
ZN8-NANFN4	H.264 4 Megapixel, 3.6mm, mechanical Day/Night switching, max. 30fps, IR-LEDs 20-30m, DWDR, AGC, DIS, POI, 12VDC / PoE, 169(B) x70(H) x60(T), 631g

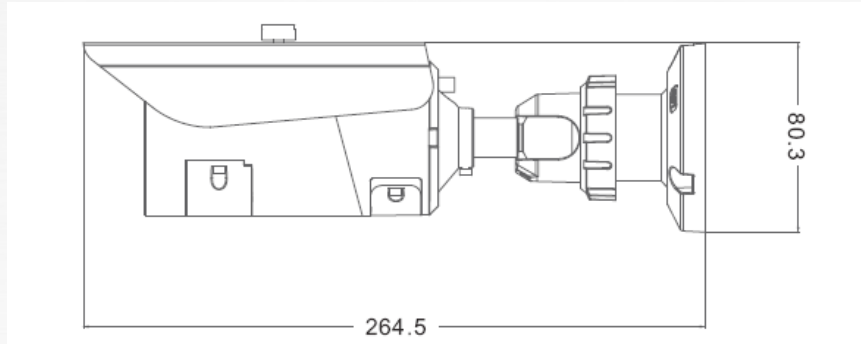
Ganz Genstar IP Bullet Serie



Technical specifications	ZN8-BANVF59	ZN8-NANFN4
Image sensor	1/3" CMOS	
Compression format	H.264, MJPEG	
Triplestream	Yes, configurable	
Resolution options	2688*1520/2560*1440/15fps, 2304*1296/20fps, 1920x1080/30fps	
Video framerate	max. 30fps Full-HD	
Lens	3.0mm - 12mm, 87° - 35°	3.6mm, 75°
Day/night switching	Mechanical	
Minimum illumination	0.05 Lux (Color, AGC on), 0 Lux (IR on)	
IR	Yes (Smart IR), 20-25m	Yes, 20-30m
DNR	Yes, 3DNR	Yes, 2/3DNR
WDR	Yes, DWDR	
HLC	Yes	
Network interface	10 / 100 Base-T	
Protocols	HTTP, HTTPS, TCP/IP, UDP/IP, RTSP, DHCP, NTP, PPoE, Unicast / Multicast, ONVIF	
DIS	Yes	
ROI	Yes	
Interfaces	RJ-45, BNC	
Micro SD-Card	Yes (up to 64GB, optional)	-
Operating voltage	PoE / 12VDC	PoE / 12VDC
Power consumption	5.5W max.	5W max.
Protection class	IP66	
Operating environment	-20°C - 60°C	-20°C - 55°C
Dimensions	264.5mm (H) x 80.3mm (Ø)	169(W) x 70(H) x 60(D)
Weight	780g	631g

Ganz Genstar IP Bullet Serie

ZN8-BANVF59



ZN8-NANFN4

