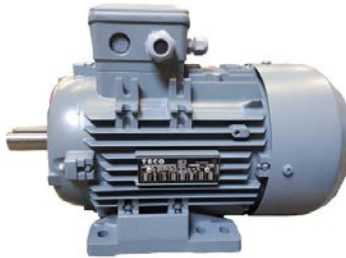


Datasheet

RS PRO 3 Phase AC motor, 11kW, 2pole,B5 Flange mounted

Stock number: 187-9893

EN



Overview

Our Aluminium range of motors are produced in accordance with IEC 60034 standards and manufactured in a modern European factory equipped with latest technologies to guarantee quality.

This range of motors offer an affordable solution for your needs while not compromising on quality. Typical applications include fans, pumps, conveyors, gearboxes and many more.

Key Features

- Frame 63-160
- Thermistors Fitted as standard
- Located Bearing at NDE
- Reinforced bearing housing
 - 80-112 DE Only
 - 132 & 160 DE & NDE
- Oil Seal fitted as standard at both Ends
- RAL7031 rustproof painting 40micron min
- Inverter rated windings
 - CT = 2:1 VT = 10:1
- NDE Shaft drilled and Tapped for easy mounting of accessories
- Two earthing terminals
- Bearing C3 Shielded
- Bearing make SKF, FAG, NSK, NTN

Specifications

IE3

3-Phase Squirrel Cage Induction Motor Datasheet

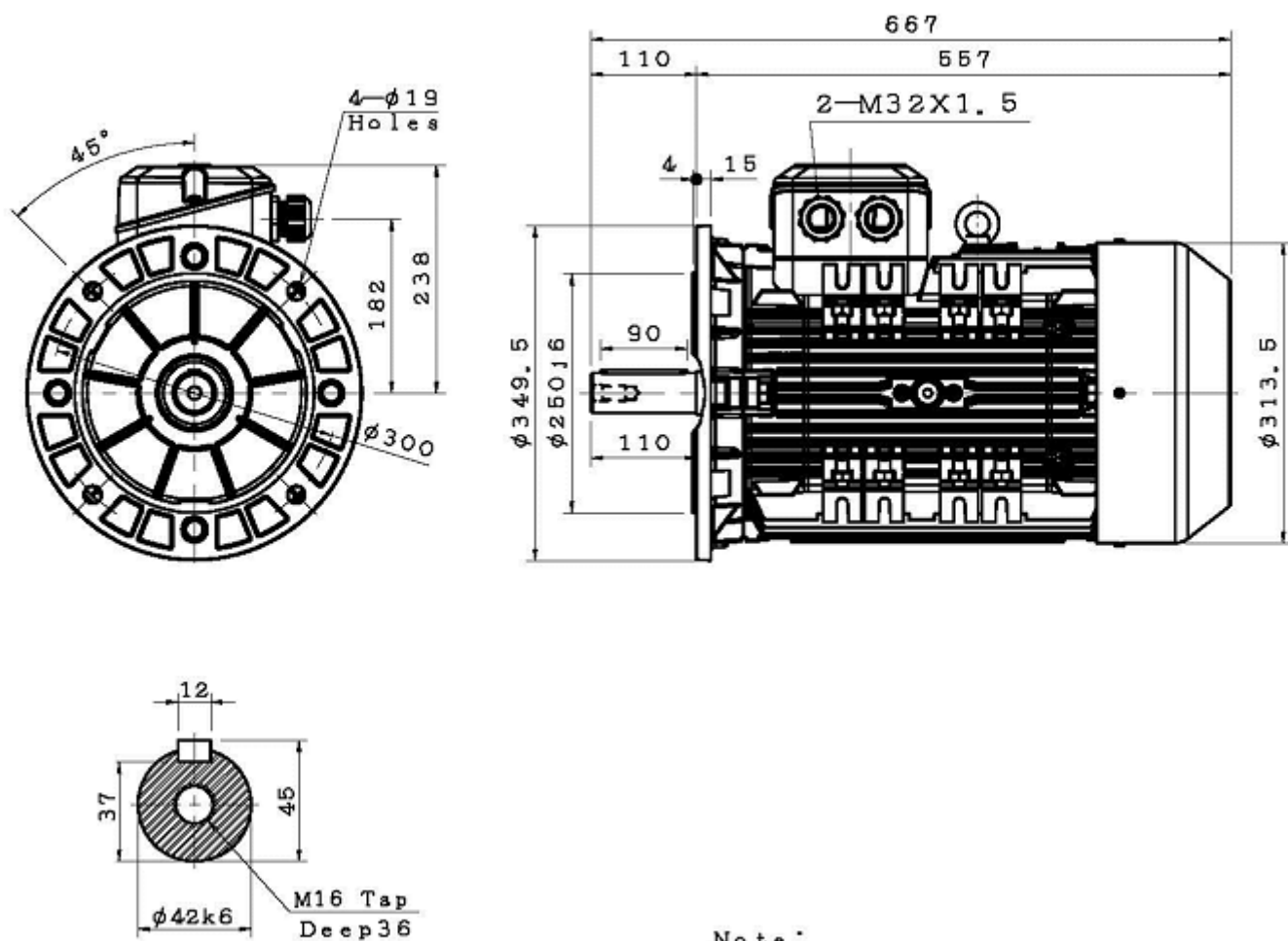
Type Code	AAP160M2A	Date	10/05/2017
		Revision	0
Rated Voltage	Δ 400V ± 5 %	Efficiency Class	IE3
Frequency	50Hz ± 2 %	Insulation Class	F (155 °C)
Duty Type	S1	Temperature Rise	80 K
Cooling System	TEFC	Mounting Design	B5
ELECTRICAL DATA			
Rated Output [kW]	11	Δ Locked Rotor Cur. - I_A/I_N	6.5
Rated Speed [rpm]	2945	Δ Locked Rotor Torq. - M_A/M_N	2.1
Rated Current [A]	18.5	Y Locked Rotor Cur. - I_A/I_N	-
No-Load Current [A]	7.3	Y Locked Rotor Torq. - M_A/M_N	-
Rated Torque - M_n [Nm]	35.7	Breakdown Torque - M_k/M_n	2.6
Moment of inertia - J [kgm ²]	-		
Load Characteristics (IEC 60034-2-1:2014)			
Load %	Efficiency	Current [A]	Cos Φ
100	91.2	18.6	0.889
75	90.5	16.5	0.841
50	86.3	12.1	0.748
MECHANICAL DATA			
Frame	AL/Cast Iron	Bearing (DE)	6309 ZZC3 SKF
Weight (KG)	65.5	Bearing (NDE)	6209 ZZC3 SKF

* Efficiencies are calculated according to IEC 60034-2-1 : 2014 standards indirect method where the additional load losses are determined from exact measurements at different load points.



Dimensions

Totally Enclosed Fan-cooled Vertical Type. Squirrel-cage Rotor



Note:
1. IP55 Protection.
2. Aluminum Motor.