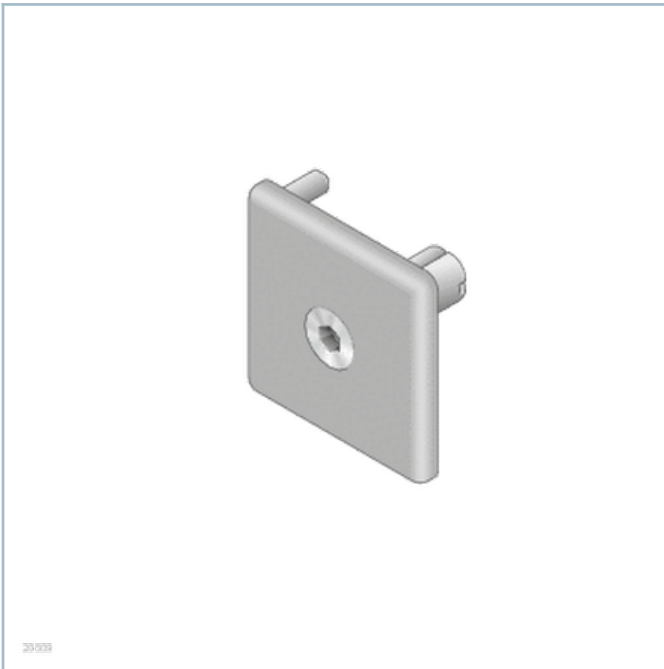
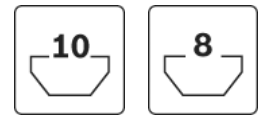
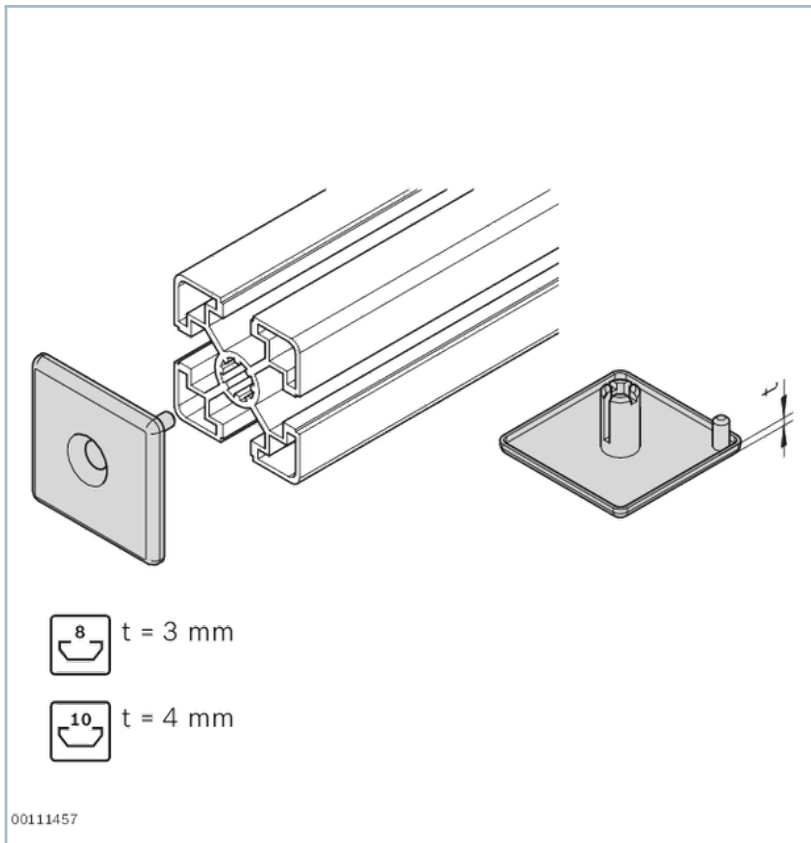


Diecast zinc cover cap



- Shock-resistant
- Resistant to aggressive media
- Fastened with countersunk screw; profile finishing not required



Product description






Technical data

No.	Material
3842518204	diecast zinc
3842541807	
3842518205	

Delivery notes

FS1	FS2
 DIN 7991 M4x16	 DIN 7991 M6x16

Ordering codes

	ESD	No.
Cover cap with hole 30x30-ZN		3842518204
Cover cap with hole 40x40-ZN		3842541807
Cover cap with hole 45x45-ZN		3842518205