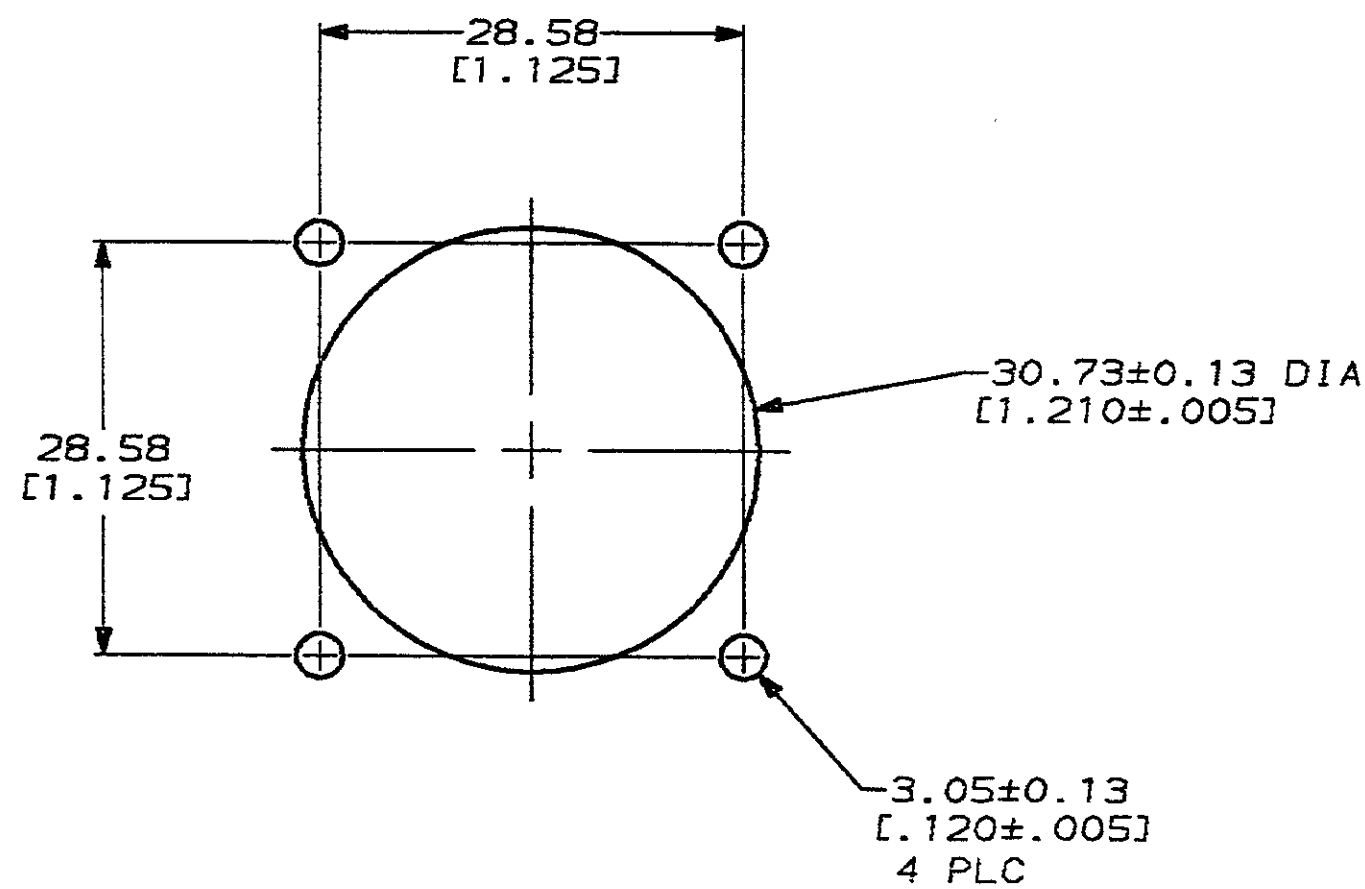
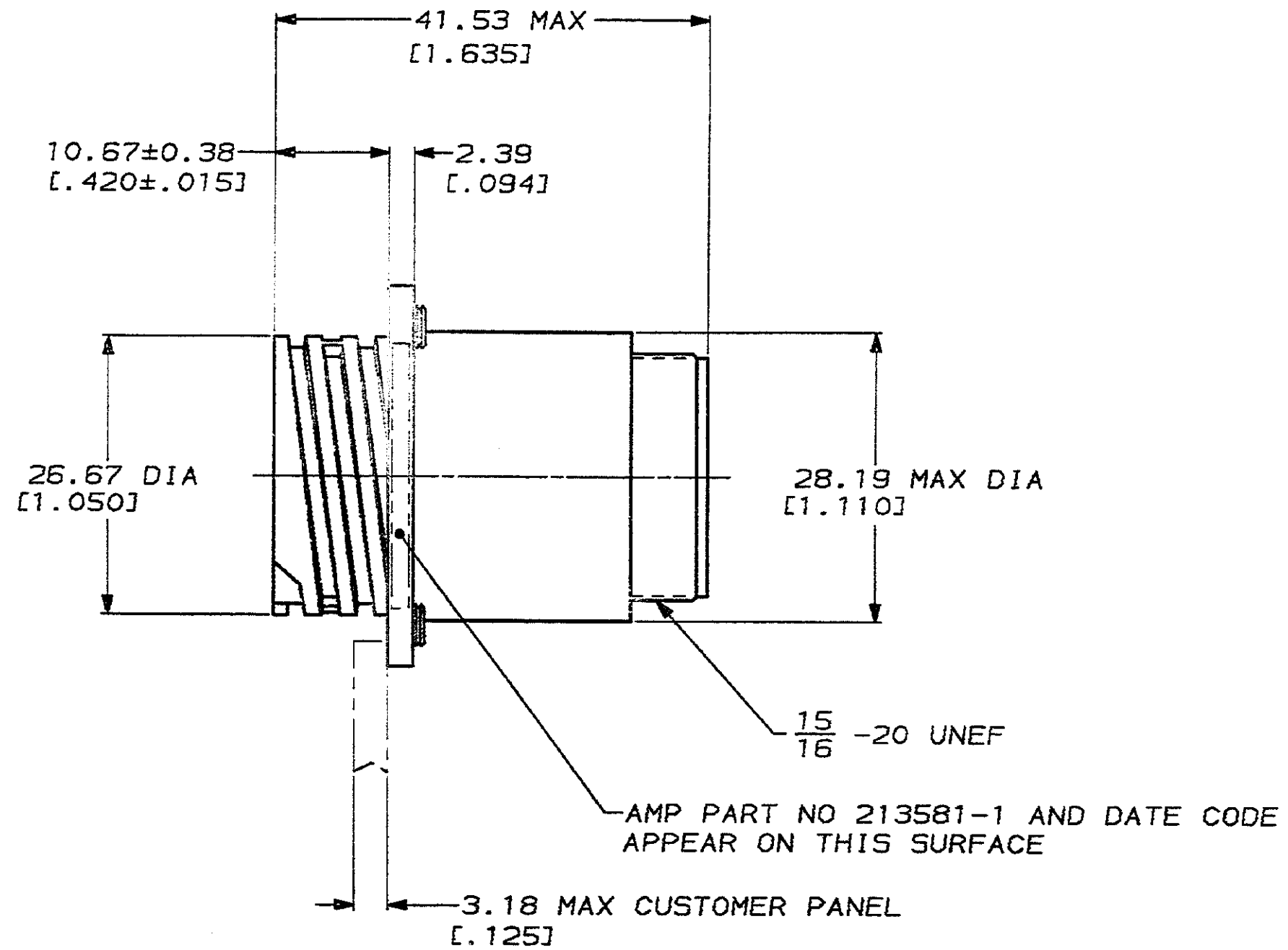
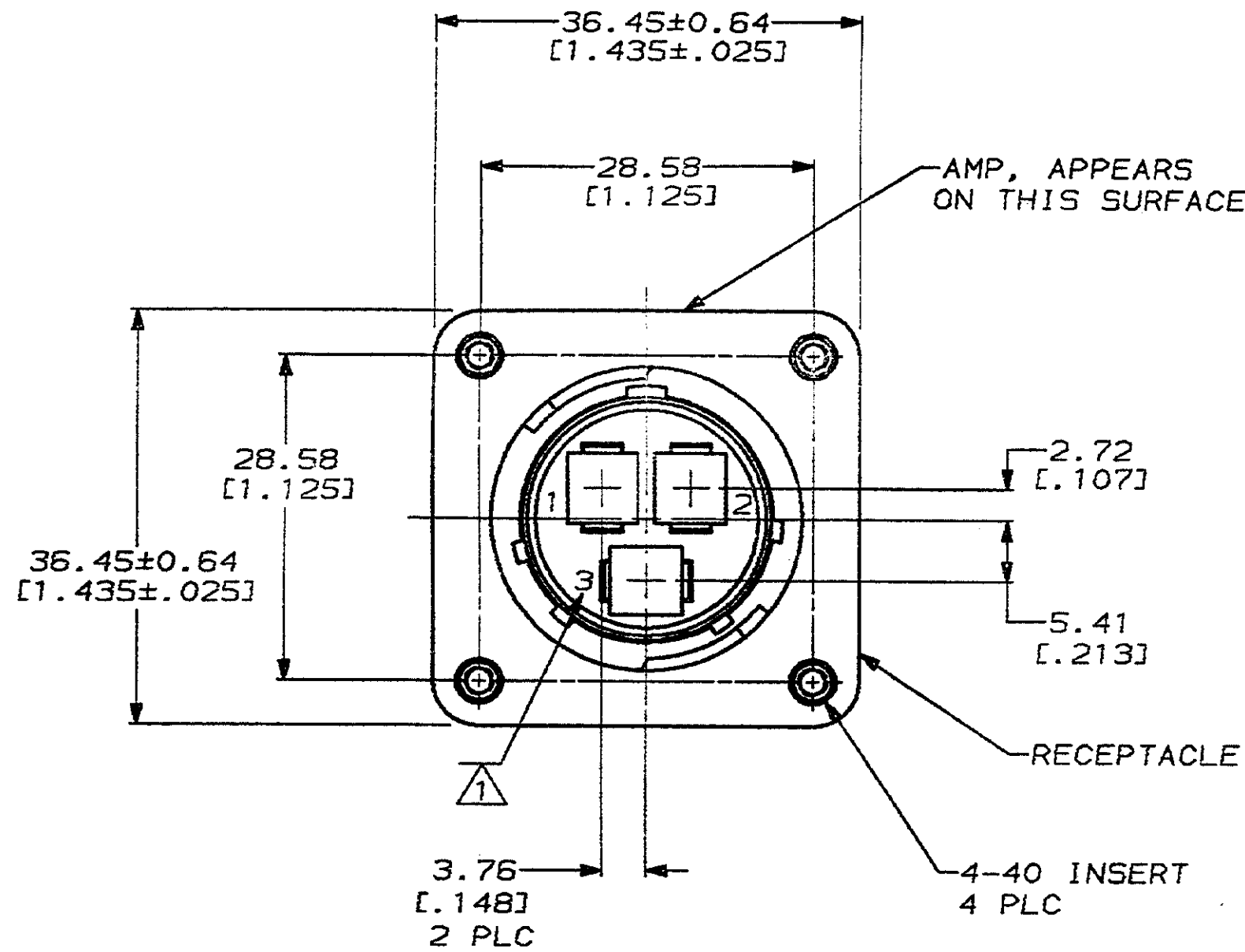


DRAWING MADE IN THIRD ANGLE PROJECTION

THIS DRAWING IS UNPUBLISHED. RELEASED FOR PUBLICATION .19
 © COPYRIGHT 19 BY AMP INCORPORATED. ALL INTERNATIONAL RIGHTS RESERVED.

MOD		LOC		DIST		ZONE		LTR		REVISIONS			
3	BD	39	P	F						DESCRIPTION	DATE	APPD	
			✓	✓					0	RELEASED	NPR 2679	3-90	-



RECOMMENDED PANEL CUTOUT

1 CAVITY IDENTIFICATION CHARACTERS ON FRONT AND REAR FACE.
 2. WILL ACCEPT 3 TYPE XII PIN CONTACTS.

METRIC

DO NOT SCALE PRINT. UNLESS SPECIFIED DIMENSIONS IN mm [INCHES] TOLERANCES ON: 2 PLC DEC ± 0.25 [.010] 3 PLC DEC ± - ANGLES ± -		DR 3-5-90 J McCLINTON		213581-1 PART NO	
MATERIAL INSERT: BRASS RECEPTACLE: NYLON, BLACK		CHK - - R. Stone 3-8-90 APPD - M Kapczynski 3/13/90 APPD - - 3/14/90		AMP AMP INCORPORATED Harrisburg, Pa. 17105	
FINISH -		APPLICATION SPEC -		NAME RECEPTACLE ASSEMBLY, 17-3, STANDARD SEX, WITH 4-40 INSERT, CPC	
WEIGHT -		SCALE 2:1		SIZE C CAGE CODE 00779 DRAWING NO 213581	
				SHEET 1 OF 1	

CUSTOMER DRAWING