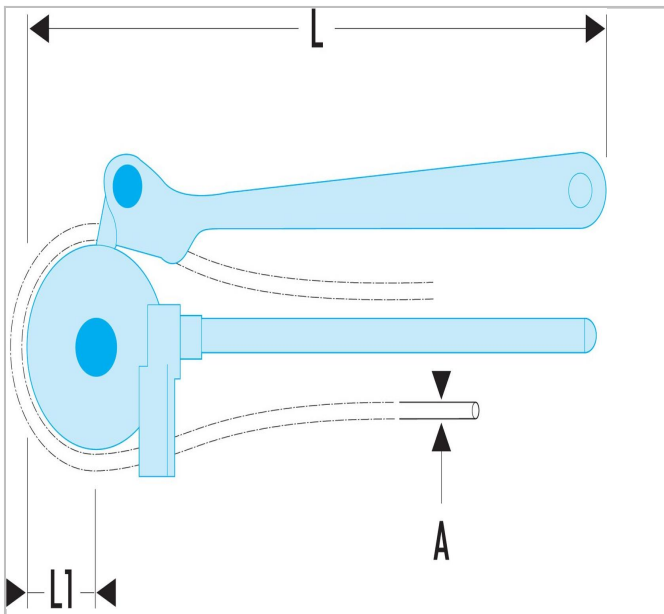



344B - Bending pliers



Description:

- Capacity: 8 to 18 mm.
- To shape pipes in cold drawn or annealed copper.
- Easy use on the work place without particular installation.
- Bending angle measurement (0° - 180°).
- Can be carried on a tool box.
- Made in forged and machined steel.



|  | A [mm] | Length L [mm] | Length L1 [mm] | Weight [Kg] |
|--|--------|---------------|----------------|-------------|
| 344B.10 | 10.0 | | 23.0 | 0.7 |
| 344B.12 | 12.0 | | 30.0 | 0.9 |
| 344B.18 | 18.0 | 380.0 | 55.0 | |
| 344B.8 | 8.0 | | 14.0 | 0.34 |