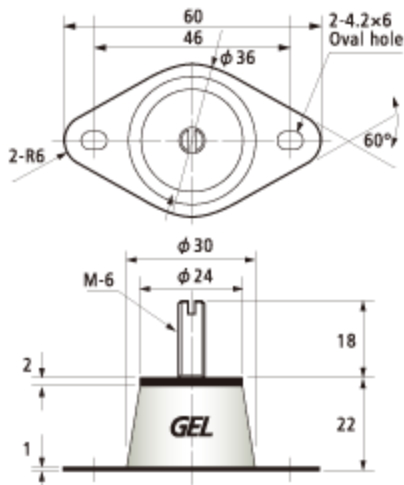


SF series : To be used in compression only.

For applications where a plate at bottom is preferred instead of a bolt.

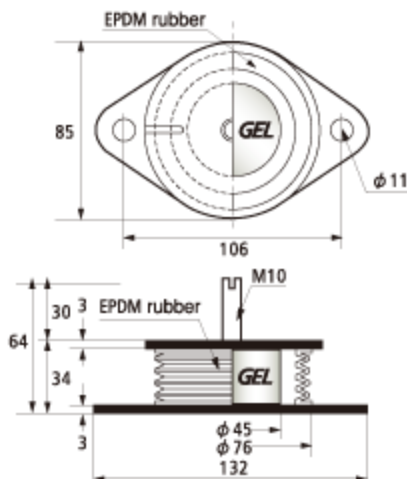


Part No.	Optimum Load (kg/4 legs)	Resonance Point(Hz)	Resonance Magnification (dB)	Recommended Frequency(Hz)
SF-2	5~13	15~10	12~13	22~
SF-5	13~30	13~9	15~16	19~
SF-10	30~50	12~9	19~21	17~

(Rubber - coated) SF series : To be used in compression only.

For application where a bottom plate is preferable and there is a need for damping heavy - load vibration.

Good for outdoor use in particular due to reinforced durability deriving from **ALGel**[®] wrapped by bellows-type EPDM rubber. Stable performance in the -20°C(-4°F) to 90°C(194°F) range.



Part No.	Optimum Load (kg/4 legs)	Resonance Point(Hz)	Resonance Magnification (dB)	Recommended Frequency(Hz)
SF-30	100~140	8~9	18~19	13~
SF-50	120~300	10~15	12~18	15~