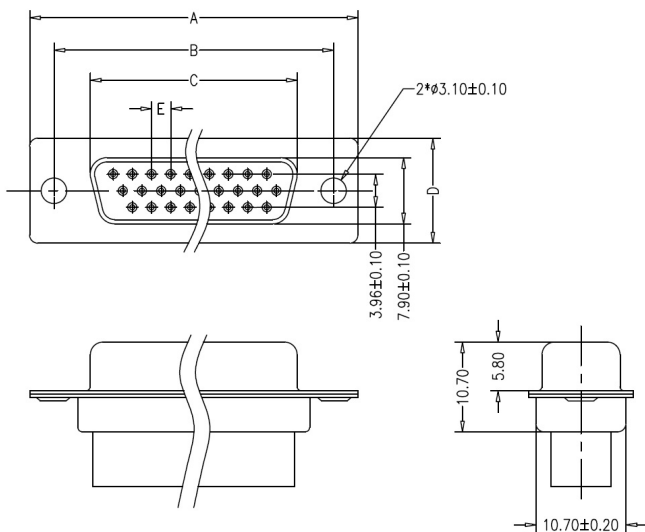


## Specification

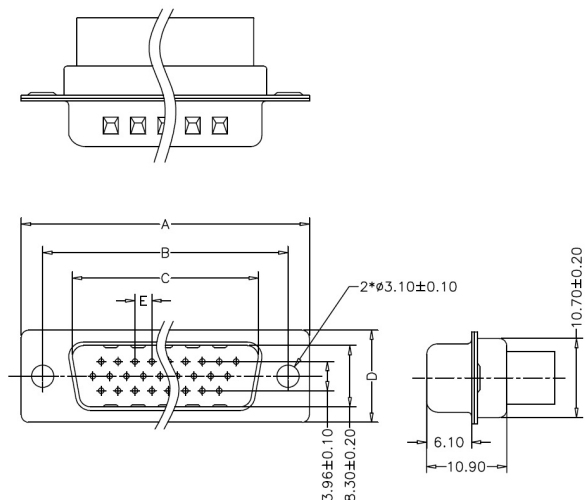
|                                 |                         |
|---------------------------------|-------------------------|
| Contact Resistance              | 25 mOhm max             |
| Insulation Resistance           | 500 MOhm min at DC 500V |
| Dielectric Withstanding Voltage | 1 kVAC                  |
| Operating Temperature           | -55°C to 105°C          |
| Insulator Material              | PBT UL94V-0             |
| Termination Type                | Crimp                   |
| Shell                           | Cold Rolled Steel       |
| Shell Finish (Front)            | Nickel                  |
| Shell Finish (Back)             | Tin                     |

## Plug Connectors



| Art Nr.       | Connector Size | Dimension A | Dimension B | Dimension C | Dimension D | Dimension E |
|---------------|----------------|-------------|-------------|-------------|-------------|-------------|
| RND 205-01021 | DE-15          | 30.8 mm     | 25 mm       | 16.3 mm     | 12.5 mm     | 2.29 mm     |
| RND 205-01022 | DA-26          | 39.2 mm     | 33.3 mm     | 24.6 mm     | 12.5 mm     | 2.29 mm     |
| RND 205-01023 | DB-44          | 53.05 mm    | 47.05 mm    | 38.3 mm     | 12.5 mm     | 2.29 mm     |
| RND 205-01024 | DC-62          | 69.4 mm     | 63.5 mm     | 54.8 mm     | 12.5 mm     | 2.41 mm     |

## Socket Connectors



| Art Nr.       | Connector Size | Dimension A | Dimension B | Dimension C | Dimension D | Dimension E |
|---------------|----------------|-------------|-------------|-------------|-------------|-------------|
| RND 205-01017 | DE-15          | 30.8 mm     | 25 mm       | 16.9 mm     | 12.5 mm     | 2.29 mm     |
| RND 205-01018 | DA-26          | 39.2 mm     | 33.3 mm     | 25.25 mm    | 12.5 mm     | 2.29 mm     |
| RND 205-01019 | DB-44          | 53.05 mm    | 47.05 mm    | 38.95 mm    | 12.5 mm     | 2.29 mm     |
| RND 205-01020 | DC-62          | 69.4 mm     | 63.5 mm     | 55.4 mm     | 12.5 mm     | 2.41 mm     |