

182.72.104.6662..-C-2HRSRillenkugellager

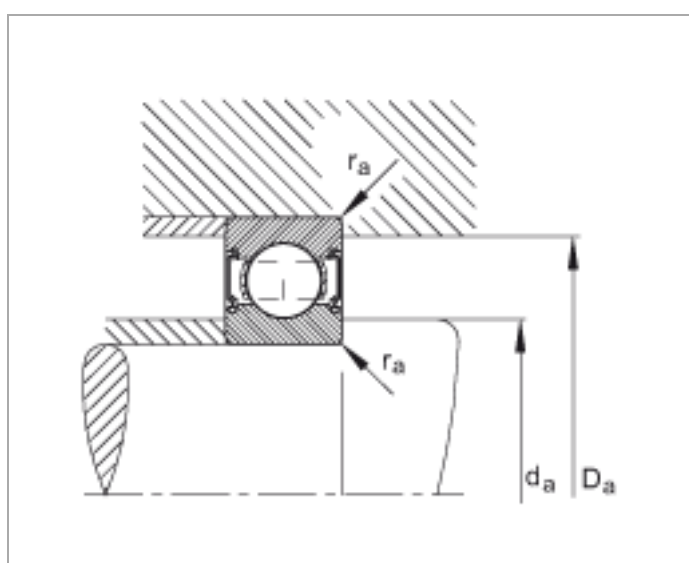
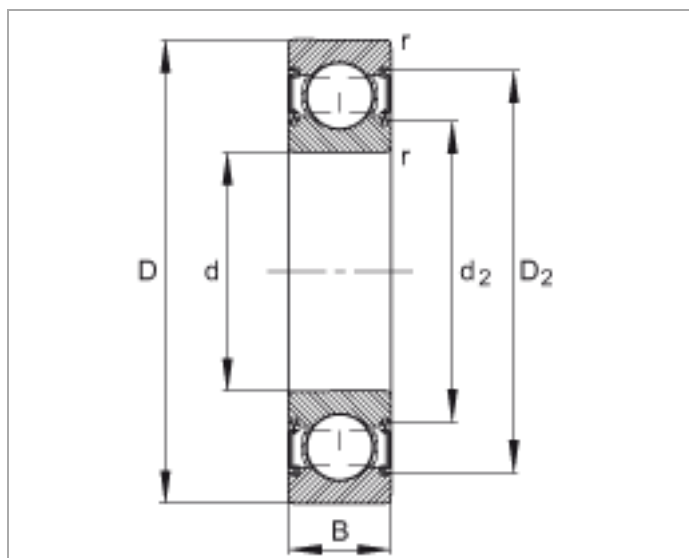
Deep groove ball bearings

629-C-2HRS (Series 62..-C-2HRS)

modified internal construction (Generation C), main dimensions to DIN 625-1, lip seals on both sides

The datasheet is only an overview of dimensions and basic load ratings of the selected product. Please always observe all the guidelines in these overview pages. Further information is given on many products under the menu item "Description". You can also order comprehensive information via the Catalogue selection system (https://www.schaeffler.de/content.schaeffler.de/en/news_media/index.jsp) or by telephone on +49 (91 32) 82 - 28 97.

d	9 mm
D	26 mm
B	8 mm
D ₂	21,4 mm
d ₂	13,6 mm
D _a max	23,6 mm
d _a min	11,4 mm
r _a max	0,3 mm
r _{min}	0,3 mm
m	0,02 kg Mass
C _r	5000 N Basic dynamic load rating, radial
C _{0r}	1970 N Basic static load rating, radial
n _G	30000 1/min Limiting speed
C _{ur}	133 N Fatigue limit load, radial
f ₀	12,4 Calculation factor



Mounting dimensions