

Features

- 13mm x 22mm panel cutout
- 10A / 250VAC
- 50,000 mechanical cycles
- DPST
- Red illuminated rocker switch
- Splash proof cap accessory

RS PRO Rocker Switches

RS Stock No.: 7932430



RS PRO is the own brand of RS. The RS PRO Seal of Approval is your assurance of professional quality, a guarantee that every part is rigorously tested, inspected, and audited against demanding standards. Making RS PRO the Smart Choice for our customers.

Product Description

13x22mm rocker switch manufactured in Europe. Designed for panel mount applications.

- Double pole on-off, red illuminated
- Suitable for small appliances, consumer electronics, panels & small machinery and HVAC equipment
- Splash proof cap available for IP55 rating

General Specifications

RS Code:	7932430
Contact Configuration	DPST
Switch Operation	On-Off, Latching
Illuminated	Yes
Actuator Colour	Red
Actuator Shape	Rectangular
Legend Text	No legend
Legend Text Colour	No legend
Contact Material	Copper alloy, silver plated
Case Material	PA66
Actuator Style	Rocker
Lamp Type	Neon

Electrical Specifications

RS Code:	7932430
Contact Current Rating	10(4)A
	Resistive load (inductive load)
AC Voltage Rating	250VAC
Terminal Type	Blade
Termination Style	Quick Connect 4.8x0.8mm
Illumination Voltage	250VAC

Mechanical Specifications

Panel Cut Out Size	13x22mm
Panel Cut Out Width	13mm
Panel Cut Out Height	22mm
Mounting Type	Panel
Mechanical Life	50000 Operations
Unit Weight	6g
Distance Between Contacts	≥ 3 mm

Operation Environment Specifications

Ambient Temperature	Housing 125°C / Rocker 55 °C
---------------------	------------------------------

Protection Category

IP Rating	IP40 - IP55 if used with Splash proof cap 793-2478
-----------	--

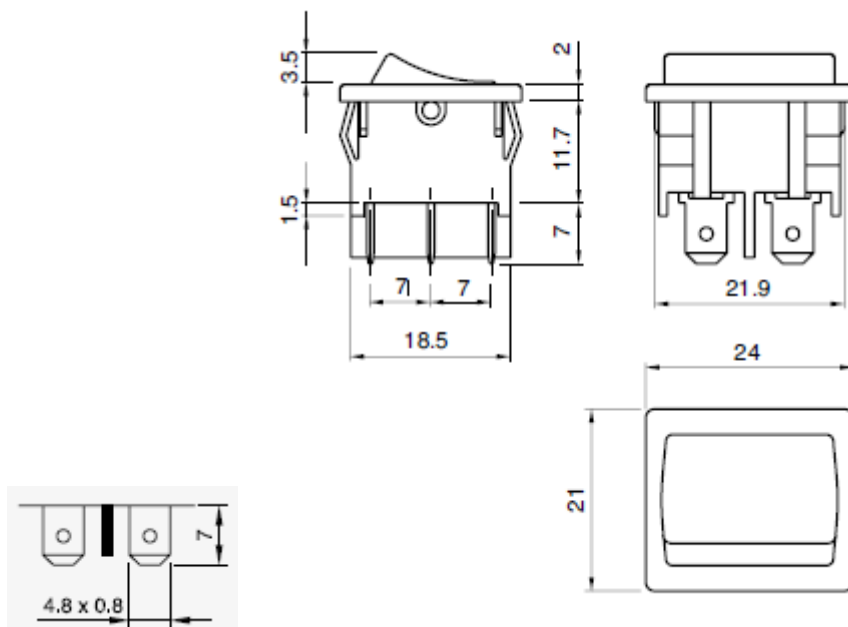
Classification

Class of Appliance	II
--------------------	----

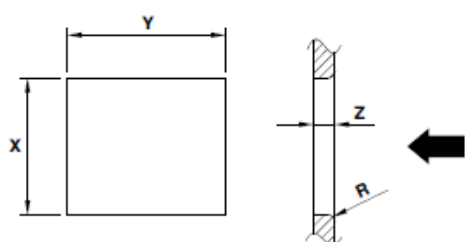
Approvals

Compliance/Certifications	EN 61058-1, ENEC, UL, CE
Declarations	GWFI 850°C heat and fire resistance

CONSTRUCTIONAL DIAGRAM/CIRCUIT DIAGRAMS



Panel Cutout



Z	Y	X
0,7 ... 1,25	22,0 ±0,1	19,0 ^{+0,2} ₀
1,25 ... 2,0	22,0 ±0,1	19,3 ^{+0,2} ₀
2,0 ... 3,0	22,0 ±0,1	19,6 ^{+0,2} ₀

Accessory – Splash Proof Cap RS Code 7932478

For IP55 protection if fitted correctly to switch.

