

LU5

Signal Tower



LED



2 Alarm Sounds

85dB at 1m

IP65

Ø50

NPN/PNP
Open-collector



Versatile modular Signal Tower featuring easy assembly and wiring designed for every need.

FEATURES

- PATLITE's exclusive hybrid prism-cut lens designed for enhanced visibility from any direction and distance.
- Two built-in alarms (FB Type) with selectable sound patterns.
- Maximum volume of up to 85dB (at 1m).
- Direct or pole* mount installation.
- Color-coordinated Terminal block corresponding to the lens colors for quick wiring and verification.
- Interchangeable LED Modules requires no re-wiring, even after installation.
- Lens is made of superior impact and heat resistant polycarbonate resin for superior durability and light transmission.
- Available Colors are in Red, Amber, Green, Blue, and Clear/White.

AVAILABLE BY SPECIAL ORDER

- Modules of the same color can be modified to operate from different terminals.

* Optional part sold separately.

How to Order



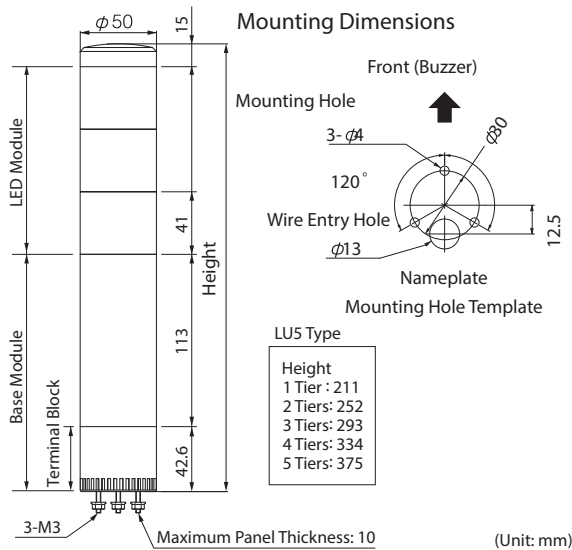
LED Module	Base Unit
LU5-E-R	LU5-02UFB
Color	Rated Voltage
R: Red	02: DC 24V
Y: Amber	Base Color
G: Green	Blank: Ivory White
B: Blue	U : Silver
C: White/Clear	K : Black
LED Unit	Type
	Blank: Continuous Light
	FB : Flashing/ Alarm

Specifications (Module)

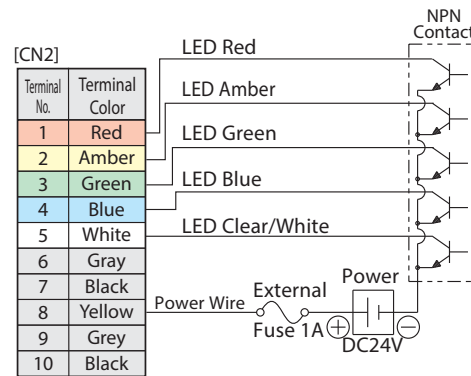
Module Color	Model	Rated Voltage	Operating Voltage Range	Current/Power Consumption	Mass
RED	LU5-E-R	DC 24V	21.6V - 26.4V	52mA/1.25W	44g
AMBER	LU5-E-Y				
GREEN	LU5-E-G				
BLUE	LU5-E-B				
CLEAR	LU5-E-C			42mA/1.25W	

Specifications (Base)

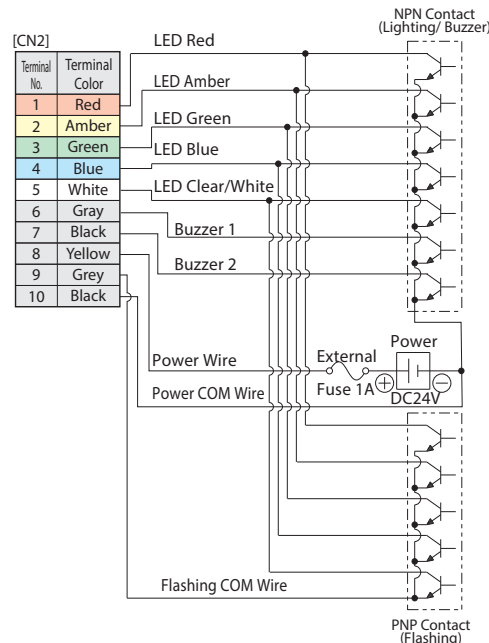
Model	Options	Rated Voltage	Operating Voltage Range	Open Collector	Mass
LU5-02	Continuous	DC 24V	21.6V - 26.4V	NPN/PNP	182g
LU5-02FB	2 Sounds/Flash				200g



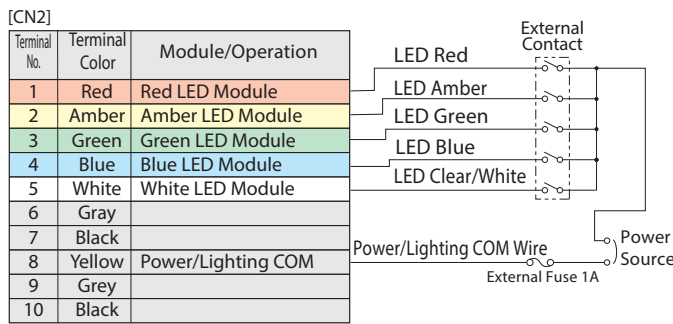
• DC 24V NPN Type



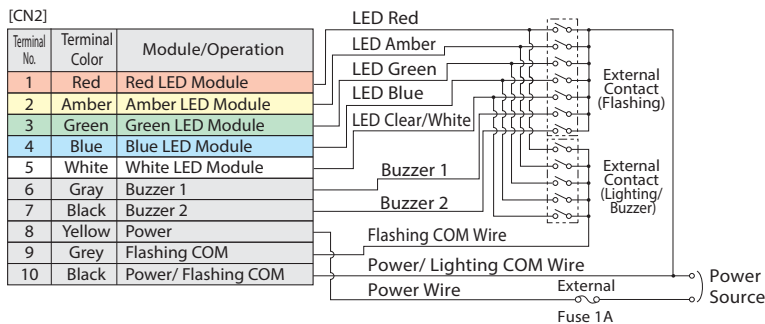
• DC 24V NPN FB Type



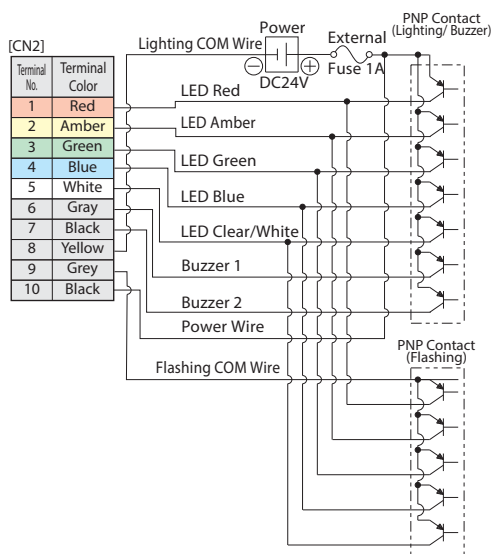
• AC/DC 24V Lighting Type



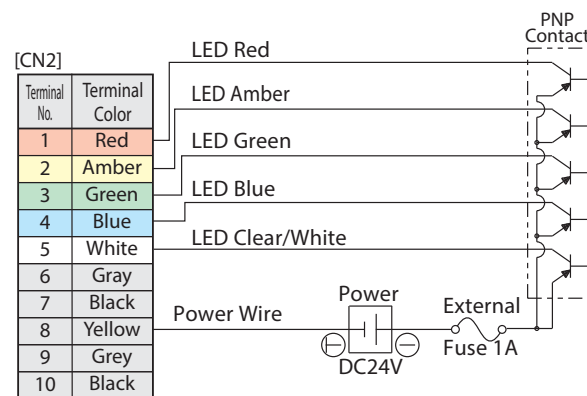
• AC/DC 24V Lighting/Flashing Type



• DC 24V PNP FB Type

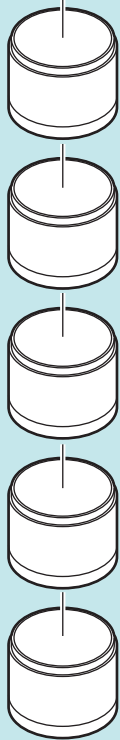


• DC 24V PNP Type



External Contact Capacity

Specifications		24V DC
LED Unit (1 Unit)	Current Consumption	Red,Amber: 52mA Green,Blue,White/Clear: 42mA
	Contact Capacity	Is \geq 100mA, Vs \geq 35V AC
Buzzer	Current Consumption	50mA
	Inrush Current	100mA
	Contact Capacity	Is \geq 100mA, Vs \geq 35V AC
Power Supply	Current Consumption	360mA
	Contact Capacity	Is \geq 500mA, Vs \geq 35V AC
External Contact Fuse		
Voltage		Fuse Amperage Rating
All Models		250V, 1A



Optional Parts

LED Units



Model	LU5-E-R	LU5-E-Y	LU5-E-G	LU5-E-B	LU5-E-C
Unit Color					
Rated Voltage	DC 24V				
Operating Voltage Range	DC 21.6 ~ 26.4V				
Current/Power Consumption	52mA/1.25W		42mA/1.0W		
Operating Temperature Range	-30°C ~ +60°C				
Mass (±10%)	44g				

RED
 AMBER
 GREEN
 BLUE
 CLEAR/WHITE

BASE Units



Model	LU5-02	LU5-02FB
Color		
Body Style	Standard	
Rated Voltage	DC 24V	
Operating Voltage Range	DC 21.6 ~ 26.4V	
Alarm		*Buzzer 1 *Buzzer 2
Current Consumption		50±10mA 24±10mA
Power Consumption		1.2±0.25W 0.58±0.25W
Sound Level		Max:85±5dB (at 1m)
Flashing Cycle		60±12 flashes per minutes
Operating Temperature Range	-30°C ~ +60°C	
Mounting Direction	Upright, indoor only	
Protection Rating	IP65	
Mass (±10%)	182g	200g
Open Collector	PNP/NPN	

* Buzzer 1 : Continuous Sound **Buzzer 2 : Intermittent Sound

Ivory White
 Silver Color (U)
 Black Color (K)

Optional Parts

