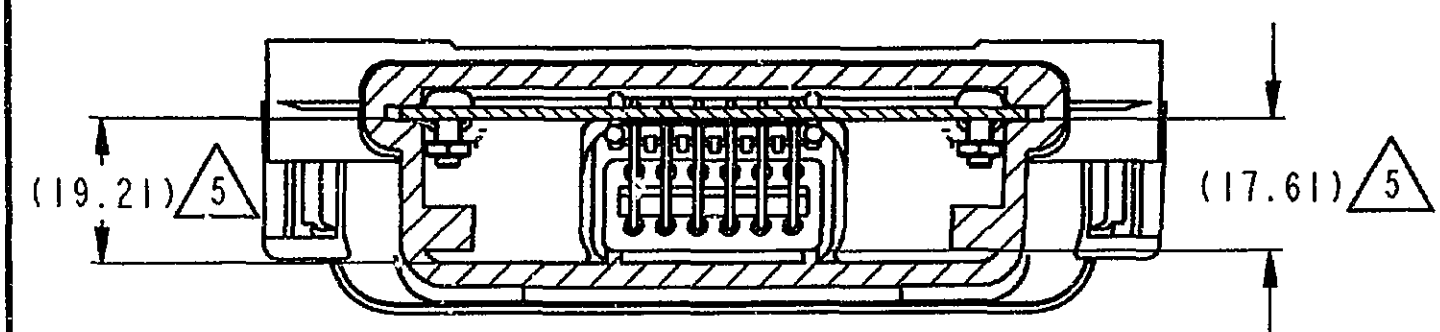
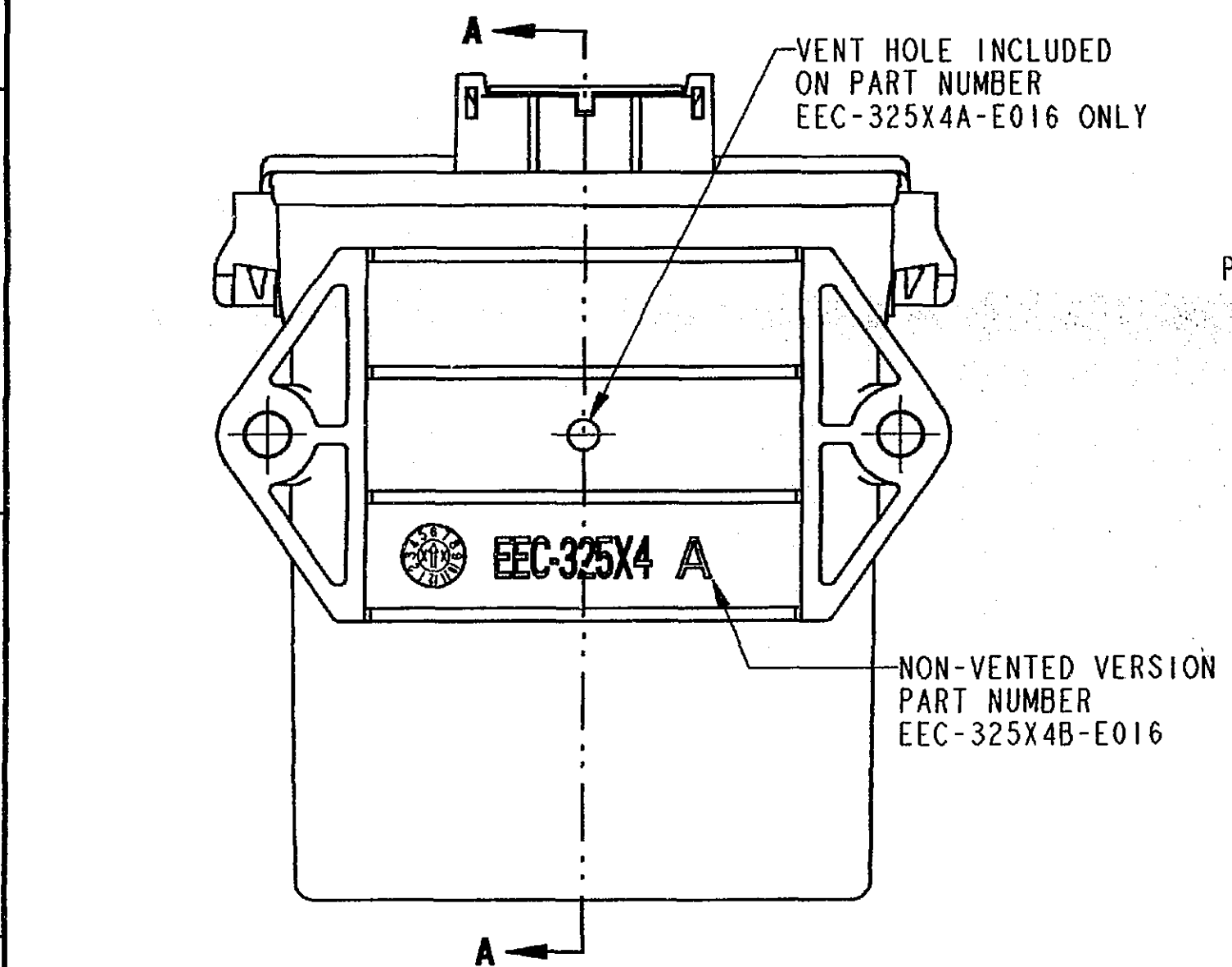
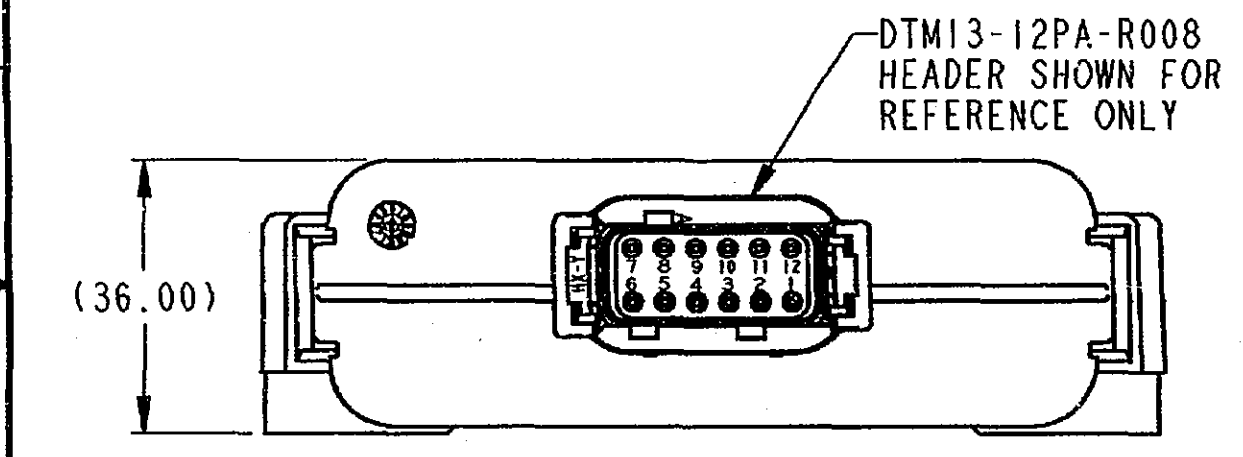
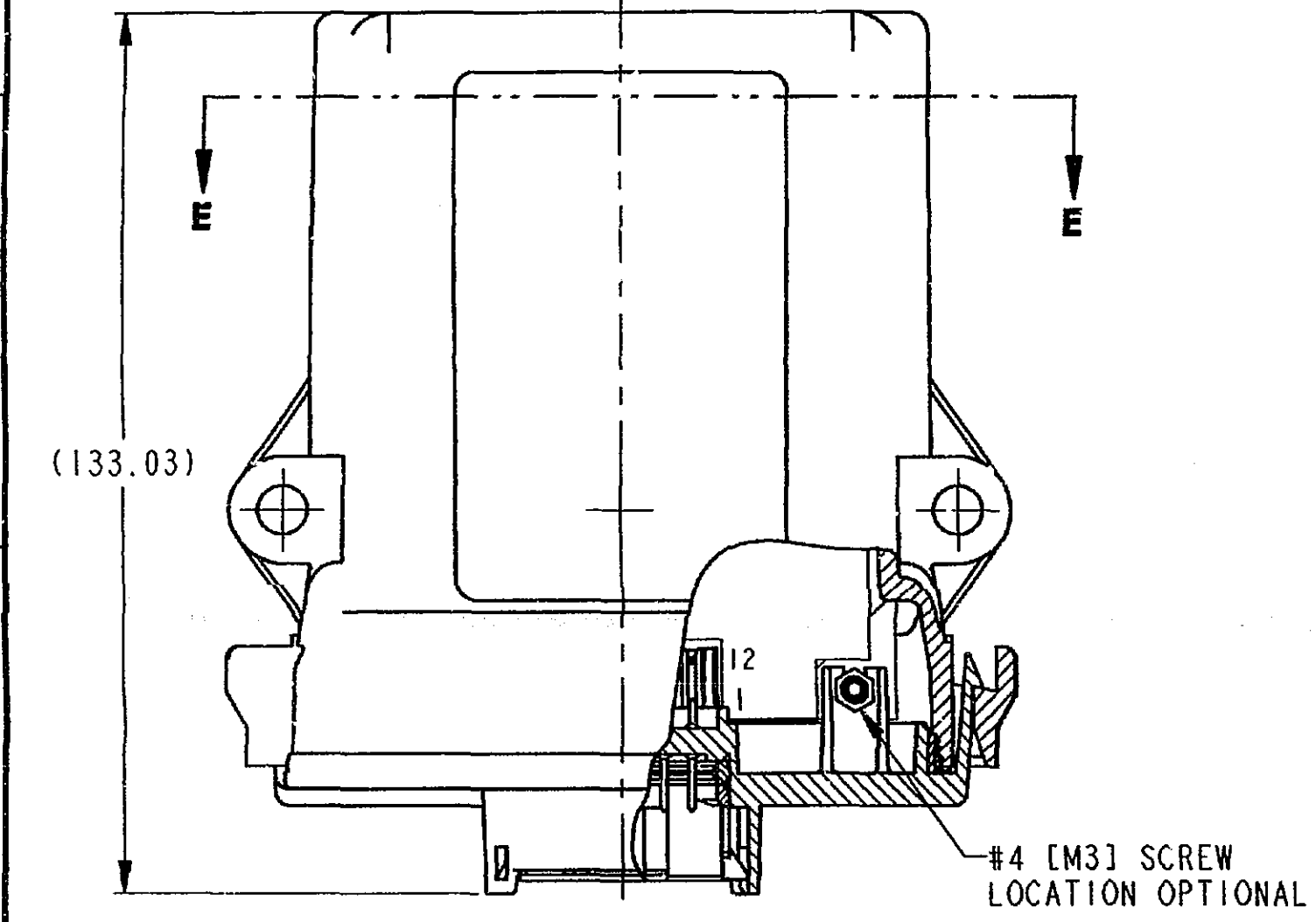


| REV             |     | REVISIONS                   |         |          |  |
|-----------------|-----|-----------------------------|---------|----------|--|
| NC              | SYM | DESCRIPTION                 | DATE    | APPROVED |  |
| EEC-325X4A-E016 |     |                             |         |          |  |
| EEC-325X4B-E016 | NC  | NEW RELEASE PER E.O. P19355 | 9-12-06 | RDR      |  |

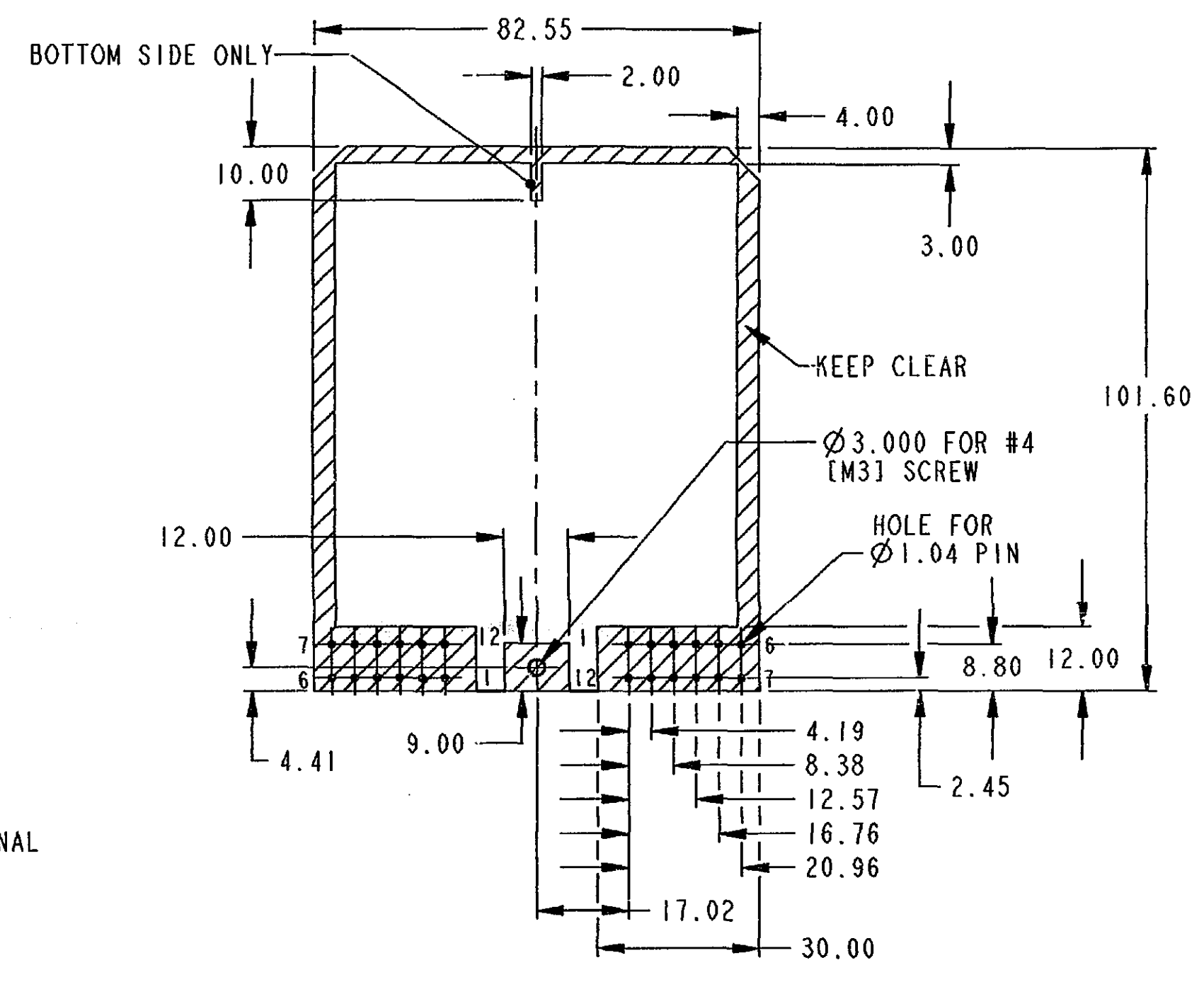
ASSEMBLED HEADER SHOWN FOR REFERENCE



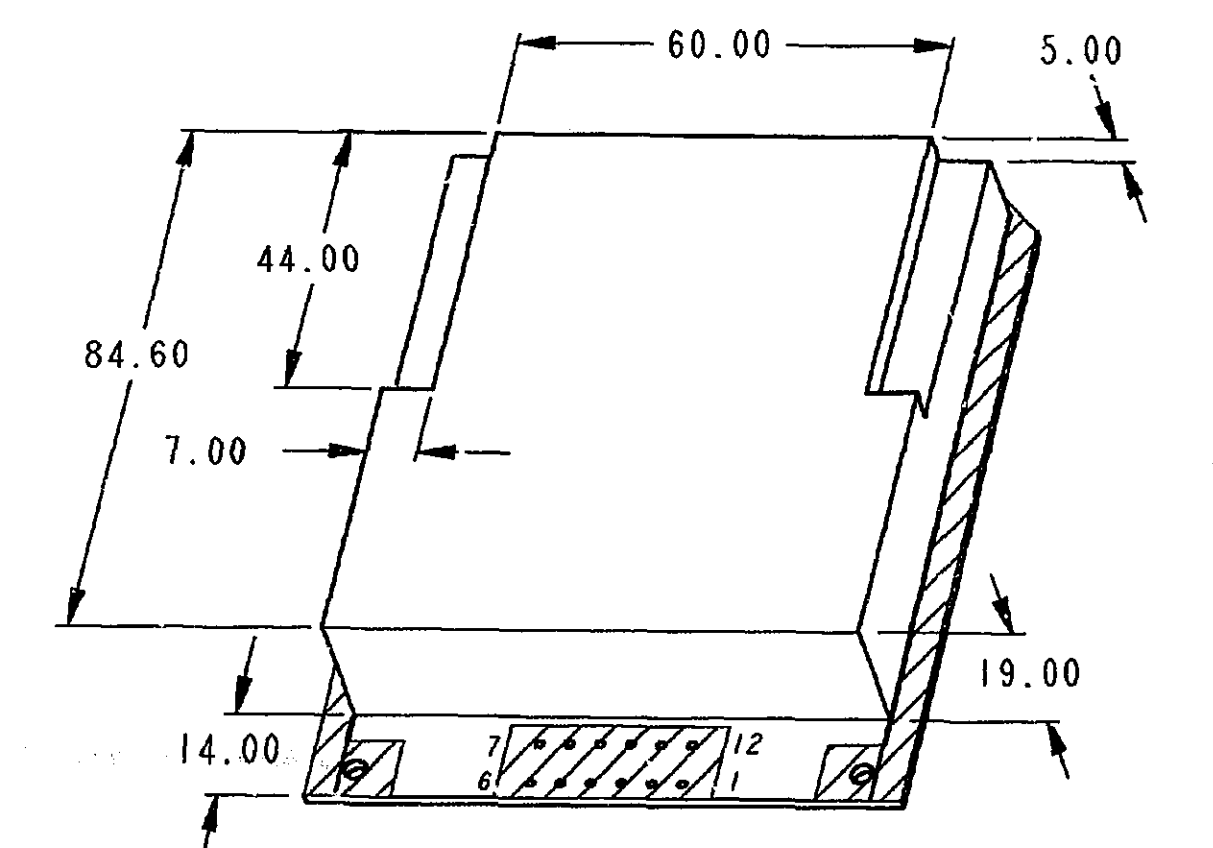
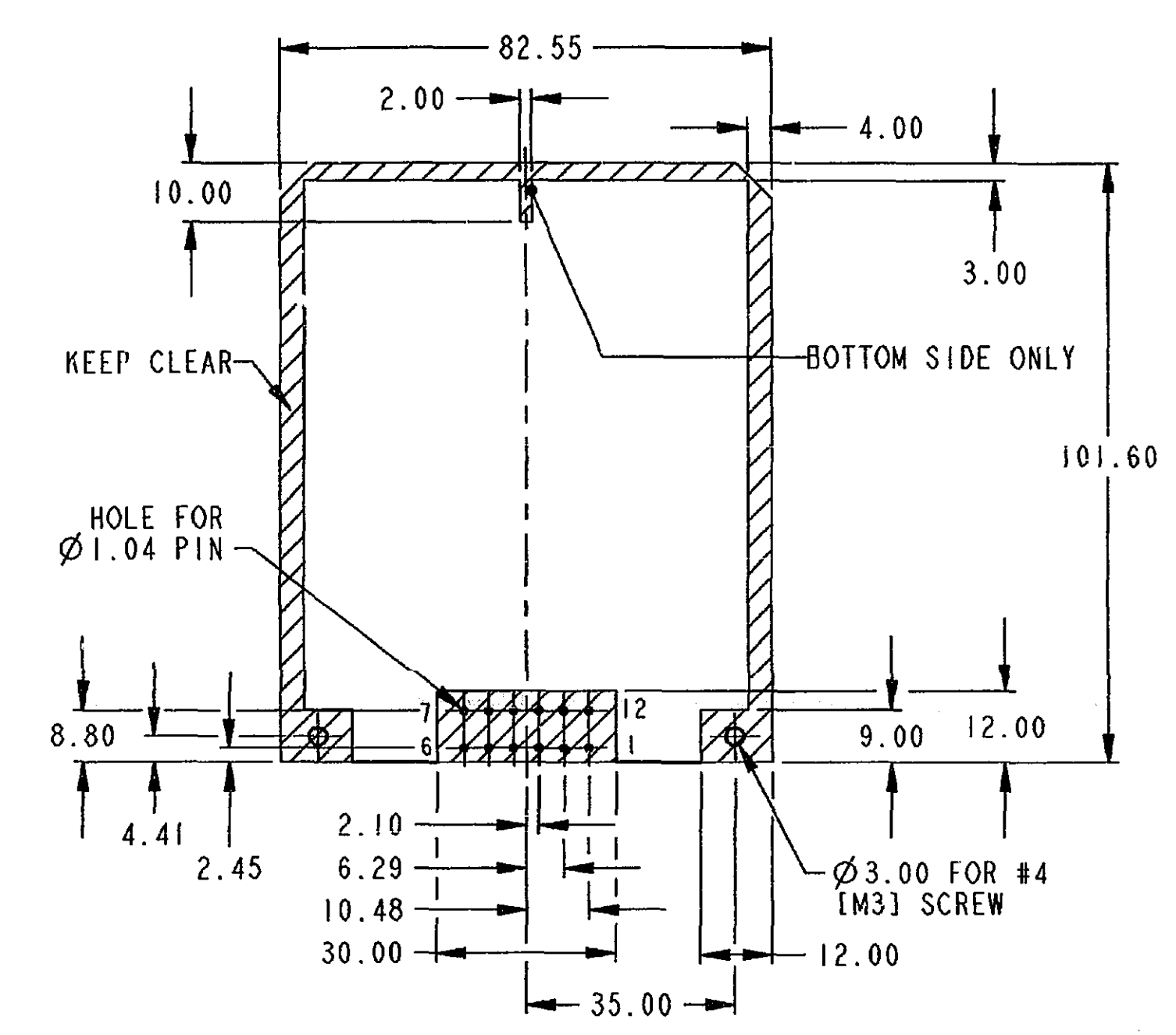
SECTION E-E



CIRCUIT BOARD HOLE LOCATIONS AND KEEP CLEAR AREAS FOR DTMI3-12P\*-12P\*-R008 DTMI3-12P\*-12P\*-GR01 ALL DIMENSIONS REFERENCE TOP VIEW

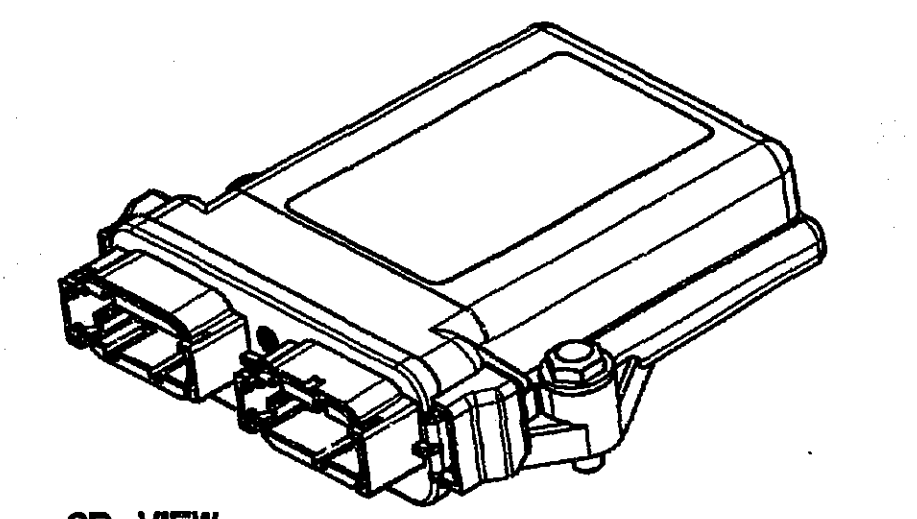
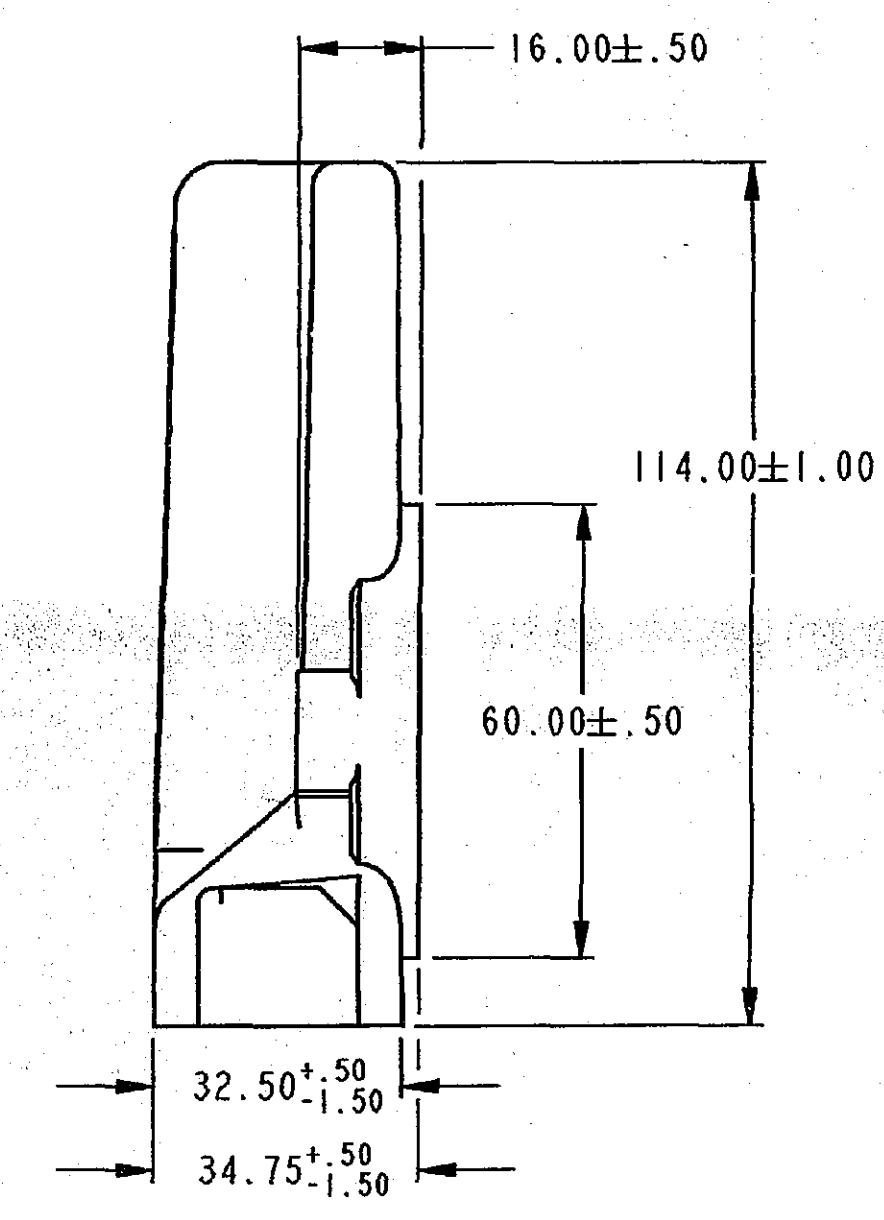
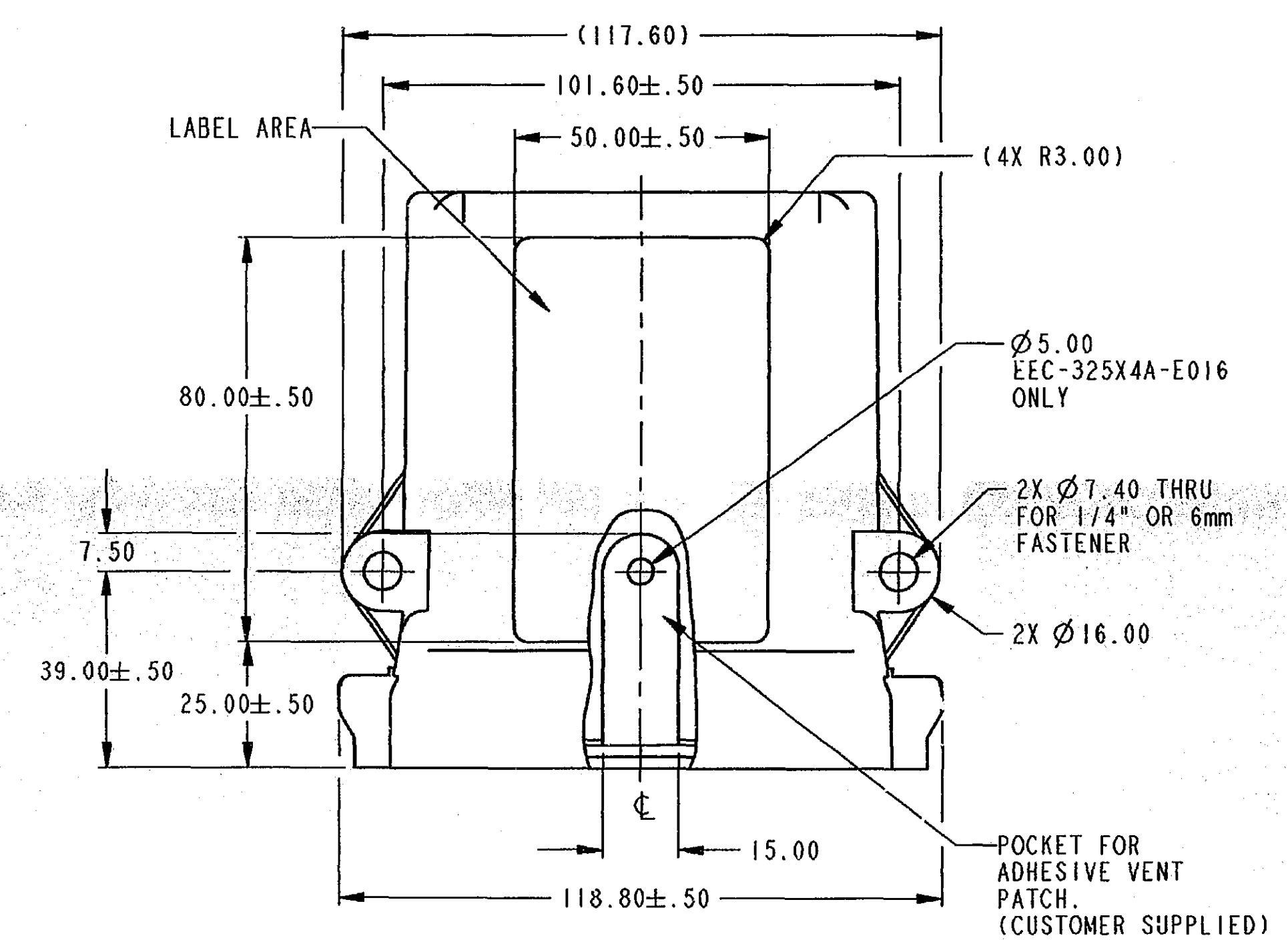
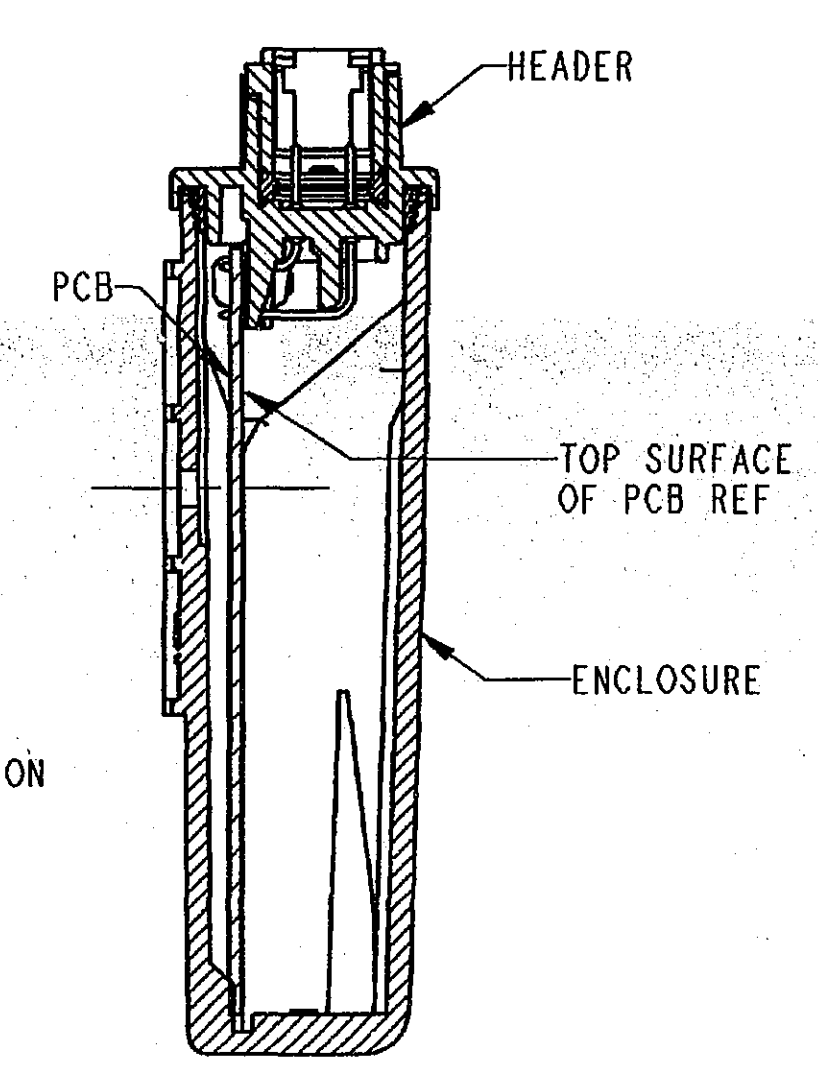


CIRCUIT BOARD HOLE LOCATIONS AND KEEP CLEAR AREAS FOR DTMI3-12P\*-R008 DTMI3-12P\*-GR01 ALL DIMENSIONS REFERENCE TOP VIEW

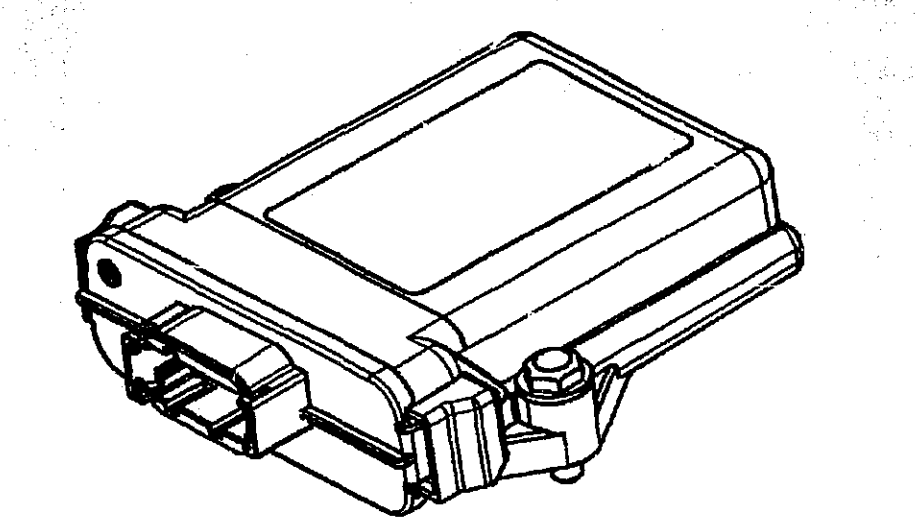


THREE DIMENSIONAL SPACE LIMIT APPROXIMATE INTERNAL SPACE FOR COMPONENT SPACE LAYOUT MAX. COMPONENT HEIGHT UNDER BOARD 3.00 mm.

SECTION A-A



3D VIEW DTMI3-12P\*-12P\*-R008 AND DTMI3-12P\*-12P\*-GR01 HEADER AND MOUNTING HARDWARE SHOWN FOR REFERENCE



3D VIEW DTMI3-12P\*-R008 AND DTMI3-12P\*-GR01 HEADER AND MOUNTING HARDWARE SHOWN FOR REFERENCE

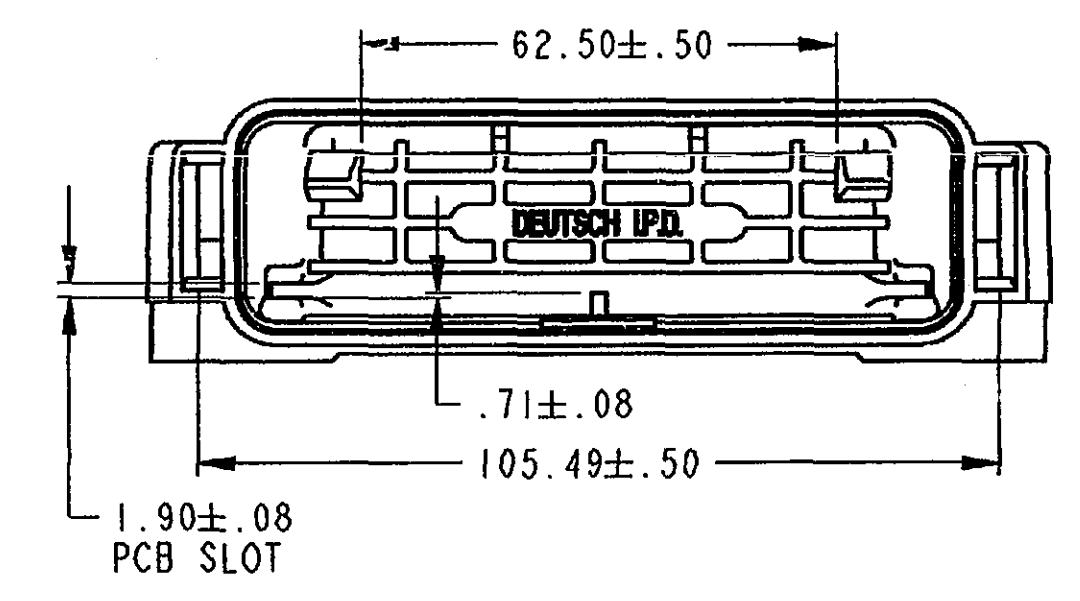
5. MAXIMUM COMPONENT HEIGHT DEPENDS ON LOCATION DUE TO PART DRAFT AND RIBS.

4. THIS ENCLOSURE MATES WITH DTMI3-12P\*-R008 (Ni PINS); DTMI3-12P\*-GR01 (Au PINS); DTMI3-12P\*-12P\*-R008 (Ni PINS); DTMI3-12P\*-12P\*-GR01 (Au PINS) HEADERS. (\* = A,B,C,D KEYS).

3. ENCLOSURE MATERIAL: NATURAL ULTEM.

2. ALL DIMENSIONS ARE +/- .25 UNLESS OTHERWISE SPECIFIED.

NOTES: 1. ALL DIMENSIONS ARE METRIC.



|                  |                     |
|------------------|---------------------|
| SIGNATURE & DATE |                     |
| DR               | J. APOSTOL 2AUG2006 |
| CHK              | [Signature]         |
| PE               | [Signature]         |
| APPD             | [Signature]         |
| SCALE            | NONE WT             |

PCB ENCLOSURE SHOWN WITH 12 AND 24 PIN HEADER VENTED AND NON-VENTED DTM SERIES

ENVELOPE

|   |                 |
|---|-----------------|
| EP 053  | MAT. CODE       |
| The Deutsch Company   |                 |
| DEUTSCH I.P.D.<br>3850 INDUSTRIAL AVE.<br>HEMET, CALIF. 92545 |                 |
| EEC-325X4A-E016   |                 |
| D   | EEC-325X4B-E016 |
| SCALE   | CODE            |
| 1:1   | CHEET 1 OF 1    |