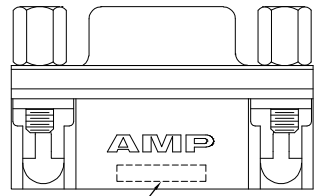
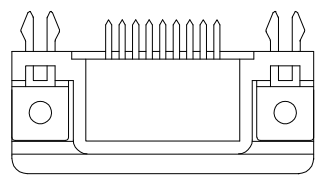
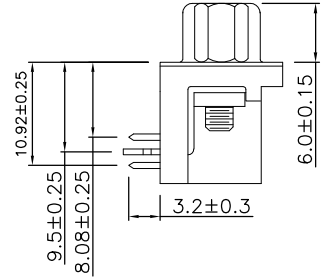
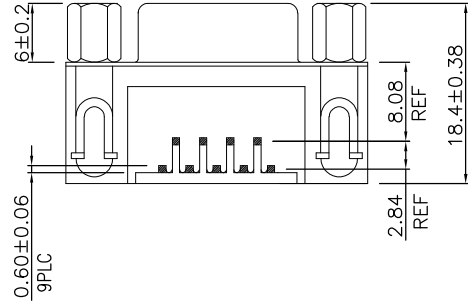
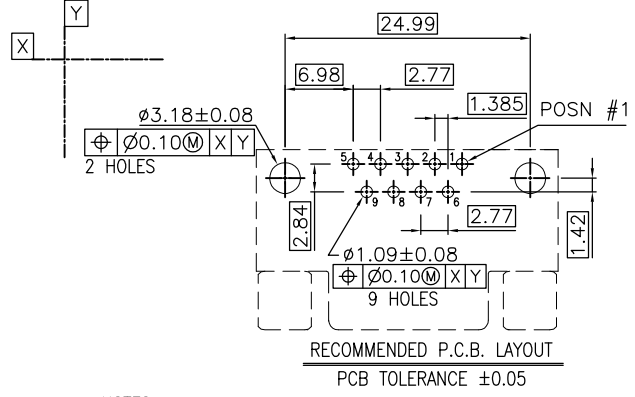
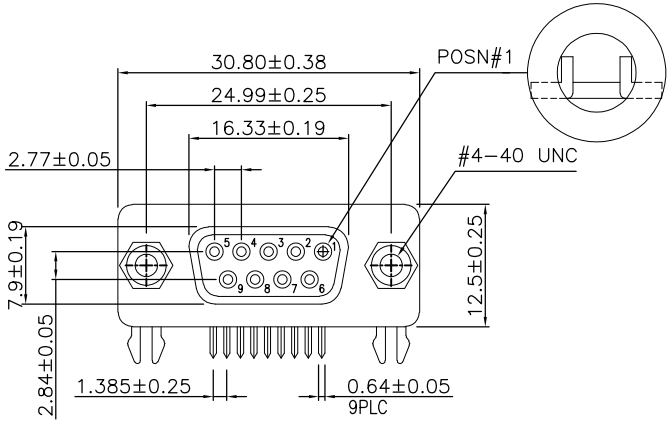


THIS DRAWING IS UNPUBLISHED. RELEASED FOR PUBLICATION
 © COPYRIGHT - BY - ALL RIGHTS RESERVED.

LOC DW	DIST -	REVISIONS			
P	LTR	DESCRIPTION	DATE	DWN	APVD
	A1	REVISED PER ECO-11-005301	07MAR11	RK	HMR



NOTES:

- MATERIAL:
 - HOUSING: NY9T WITH 30% G.F. UL 94V-0, COLOR: BLACK
 - CONTACTS: PHOSPHOR BRONZE
 - SHELL: SPCC
 - BOARDLOCKS: BRASS
 - RIVET: BRASS
 - SCREWLOCKS: BRASS, THREAD LENGTH OF SCREW: 6.0 MIN.
- FINISH:
 - CONTACT: GOLD PLATING ON CONTACT AREA. (SEE TABLE) 2.54μm[100μ"] MIN. MATTE-TIN PLATING ON SOLDER TAIL, 1.27μm[50μ"] MIN. NICKEL UNDERPLATED ON ENTIRE CONTACT.
 - BOARDLOCK: 2.54μm[100μ"] MIN. MATTE-TIN PLATING OVER 1.27μm[50μ"] MIN. NICKEL UNDERPLATED ON ENTIRE CONTACT.
 - SHELL: NICKEL PLATED
 - RIVET: NICKEL PLATED
 - SCREWLOCKS: NICKEL PLATED
- NET WEIGHT: 8.9 gram/PC.
- THREADED INSERTS AND SCREWLOCKS MUST WITHSTAND 6 IN-LBS TORQUE.
- DAET CODE: YYWW
- REFLOW SOLDER CAPABLE TO 260°C PER TE CONNECTIVITY SPEC. 109-201, CONDITION B.

0.38μm[15u"]	1734354-2
GOLD-FLASH	1734354-1
CONTACT FINISH MIN.	PART NO.

THIS DRAWING IS A CONTROLLED DOCUMENT.		DWN J. LEE 17NOV2006				
		CHK S. HOU 17NOV2006				
DIMENSIONS: MM		APVD W.J. KE 17NOV2006		NAME		
		TOLERANCES UNLESS OTHERWISE SPECIFIED:		RECEPTACLE ASSEMBLY, 9 POSN, RIGHT ANGLE, 8.08mm[0.318in] SERIES, AMPLIMITE, WITH SCREWLOCKS		
		0 PLC ± - 1 PLC ± 0.38 2 PLC ± 0.25 3 PLC ± 0.15 4 PLC ± - ANGLES ± -		PRODUCT SPEC 108-57541 QUALIFICATION TEST REPORT 501-57623		
MATERIAL SEE NOTE		FINISH SEE NOTE		SIZE A3 CAGE CODE 00779 DRAWING NO 1734354 RESTRICTED TO -		
CUSTOMER DRAWING				SCALE -	SHEET 1 OF 2	REV A1

4

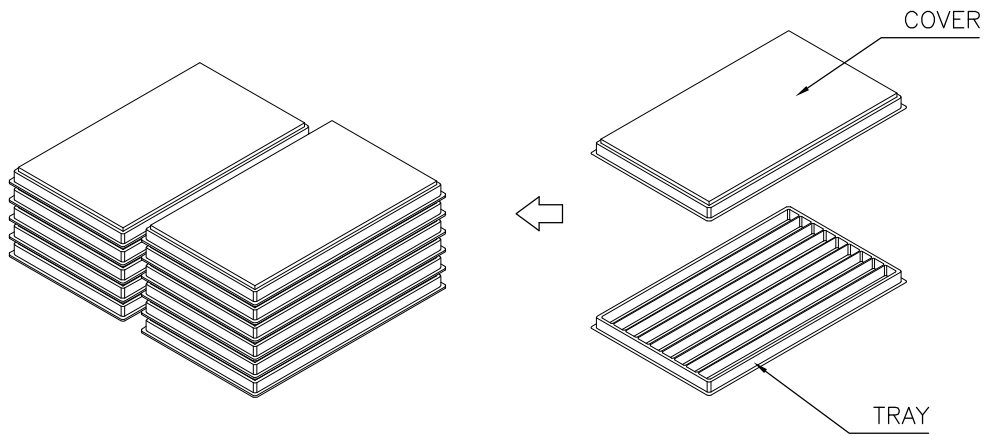
3

2

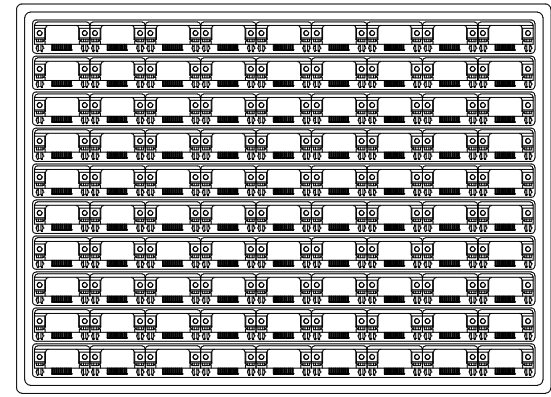
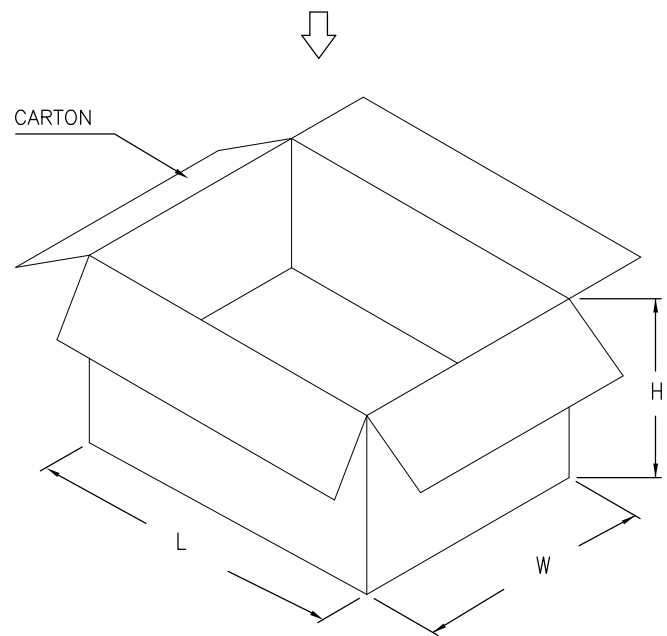
1

THIS DRAWING IS UNPUBLISHED. RELEASED FOR PUBLICATION
© COPYRIGHT - BY - ALL RIGHTS RESERVED.

LOC DW	DIST -	REVISIONS		
P	LTR	DESCRIPTION	DATE	DWN
-	-	SEE SHEET 1.	-	-



- NOTES:
- MATERIAL:
 - 1.1 TRAY: PVC
 - 1.2 SHIPPING CARTON: CORRUGATED FIBERBOARD
 - DIMENSION:
 - 2.1 TRAY: L=306, W=217, H=15.8
 - 2.2 SHIPPING CARTON: L=440, W=321, H=153
 - QUANTITY:
 - 3.1 PRIMARY PACKING: 90 PCS/TRAY
 - 3.2 SECONDARY PACKING: 11 TRAY/CARTON(990PCS)
 - CARTON WEIGHT:
 - 4.1 NET WEIGHT: 8.9 KG
 - 4.2 GROSS WEIGHT: 9.9 KG



THIS DRAWING IS A CONTROLLED DOCUMENT.		DWN J. LEE	17NOV2006		NAME	RECEPTACLE ASSEMBLY, 9 POSN, RIGHT ANGLE, 8.08mm[0.318in] SERIES, AMPLIMITE, WITH SCREWLOCKS
DIMENSIONS: MM		CHK S. HOU	17NOV2006			
TOLERANCES UNLESS OTHERWISE SPECIFIED:		APVD W.J. KE	17NOV2006	SIZE	CAGE CODE	DRAWING NO
0 PLC ±		PRODUCT SPEC		A3	00779	C=1734354
1 PLC ±		APPLICATION SPEC		RESTRICTED TO		
2 PLC ±		WEIGHT		SCALE	SHEET	REV
3 PLC ±				-	2 of 2	A1
4 PLC ±						
ANGLES ±						
MATERIAL		CUSTOMER DRAWING				