

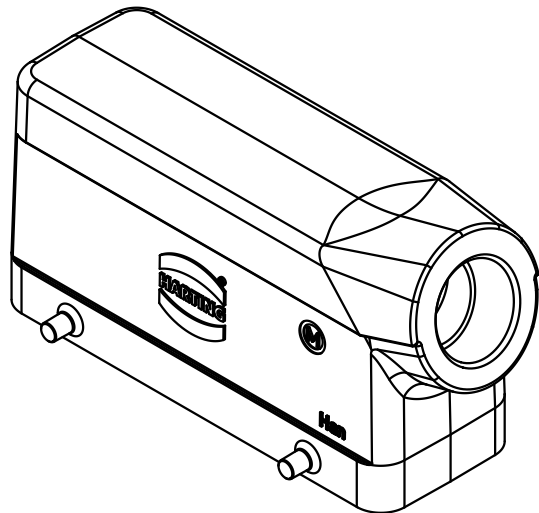
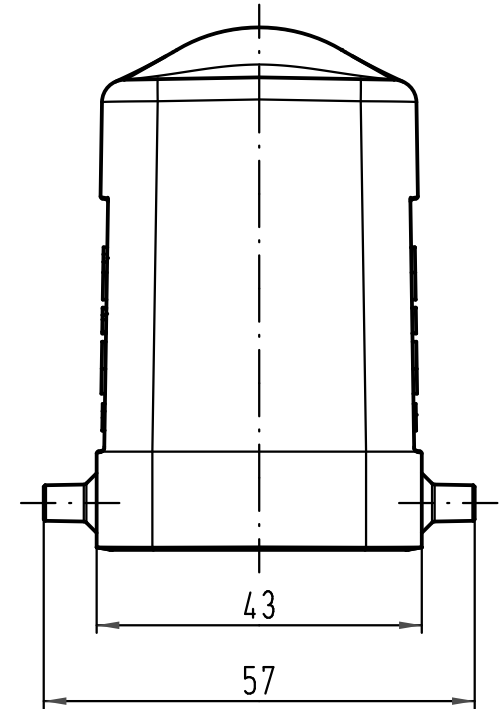
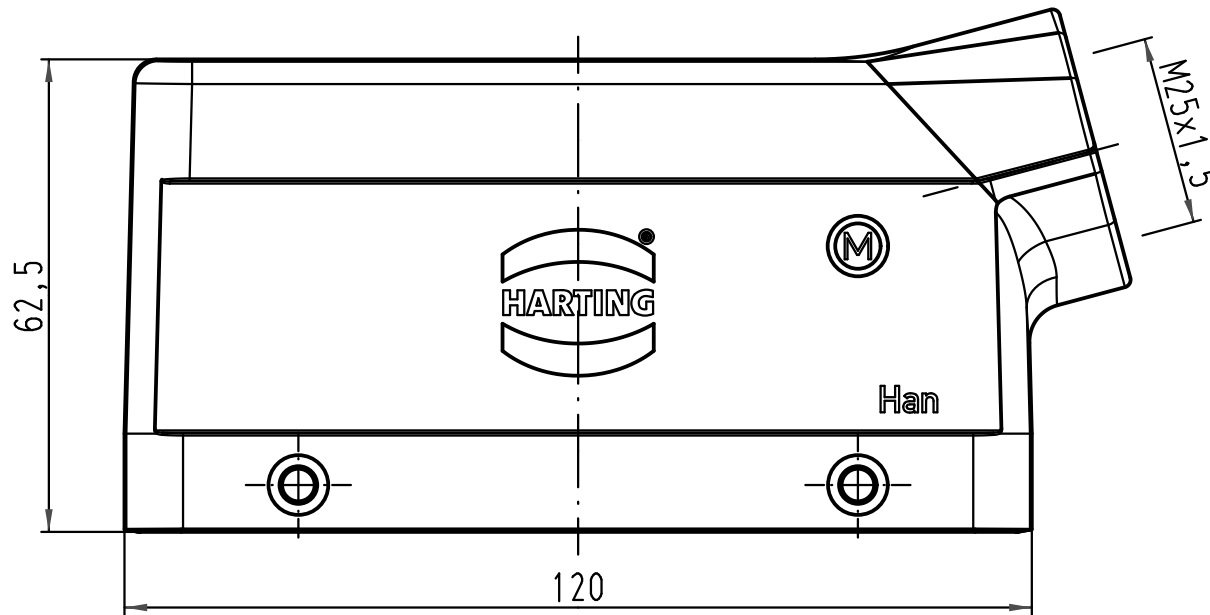
1 2 3 4 5 6

A

B

C

D



| | | | | | | | |
|---|------|-------------------|---|--------------|---|--|------------------|
| All Dimensions in mm Original Size DIN A 4 | | Techn. Character. | | | Nicht tolerierte Maße/ Free size tolerances | | |
| | | | Dat. | Name | Maßstab/ Scale 1:1 | Han 24B-gs-M25 Tüllengehäuse hood | |
| | | | Detail. | 01.04.11 Spr | | | |
| | | | Insp. | Be | | | |
| | | | Stand. | | | | |
| A | | | HARTING Electric GmbH & Co. KG D-32339 Espelkamp | | | TB 19 30 024 1521 | Blatt/ page / |
| Mod. | Dat. | Name | | | | | |