

The FX and FXIPX4 range

The FX range

With their compact design, FX downflow fan heaters are the popular choice for heating bathrooms and en suites as well as kitchens.

The powerful 2kW output ensures a fast warm up, although 1kW output is selectable on installation for smaller rooms.

All models have visual on/off indicator, full safety protection and are simple to install.

The FXIPX4 range

The FX20IPX4 and FX20EIPX4 with an innovative patented* design and latest technology to provide an IPX4 rated fan heater for unrivalled versatility when it comes to installation. This unique feature allows greater installation flexibility in bathroom locations.

Combined with a sleek, modern look, the IPX4 rated FX downflow heaters provide an ideal heating solution for almost any bathroom, en suite or kitchen.

*Patent pending at time of print.



Model FX20VL

The FX range features

FX20V

- 2kW maximum output
- Pull-cord operation
- Neon indicator
- Energy saving thermostat switches output down to 1kW once the room is warm (functions on 2kW setting only)
- 2kW or 1kW output selectable on installation

FX20VE

- Time period adjustable between 5 and 155 minutes on installation
- Heater can be manually switched off before time period expires
- 2kW maximum output
- Pull-cord operation
- Neon indicator
- Energy saving electronic timer automatically switches heater off after a preset time period to prevent it being left on accidentally
- 2kW or 1kW output selectable on installation

FX20VL

- Designed for low level mounting
- No pull cord
- 2kW maximum output
- Neon indicator
- Adjustable thermostat control
- 2kW or 1kW output selectable on installation

The FXIPX4 range features

FX20IPX4

- 2kW maximum output
- Pull-cord operation
- Neon indicator
- IPX4 rated
- Identical footprint to current FX20 models, meaning that retro-fitting an IPX4 model is incredibly simple
- Energy saving thermostat switches output down to 1kW once the room is warm (functions on 2kW setting only)
- 2kW or 1kW output selectable on installation

FX20EIPX4

- Time period adjustable between 5 and 155 minutes on installation
- Heater can be manually switched off before time period expires
- 2kW maximum output
- Pull-cord operation
- Neon indicator
- IPX4 rated
- Identical footprint to current FX20 models, meaning that retro-fitting an IPX4 model is incredibly simple
- Energy saving electronic timer automatically switches heater off after a preset time period to prevent it being left on accidentally
- 2kW or 1kW output selectable on installation

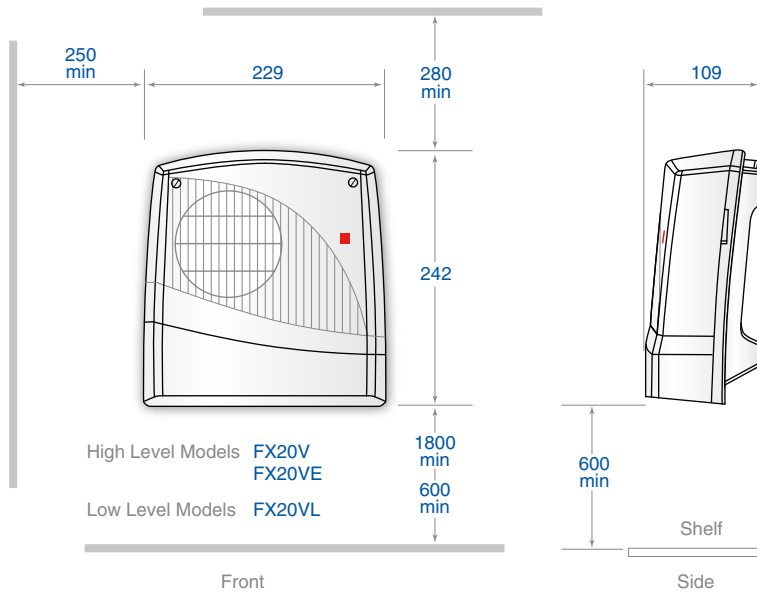
Model FX20IPX4



scan for more info
dimplex.co.uk/fx

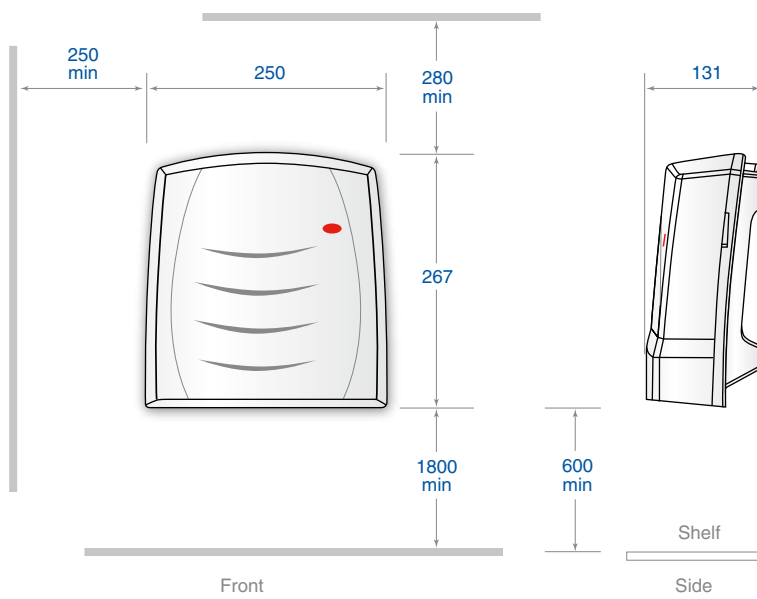
Technical information

FX main dimensions (mm)



| Model | Loading | Height | Width | Depth | Weight |
|--------|---------|--------|-------|-------|--------|
| FX20V | 2.0kW | 242mm | 229mm | 109mm | 1.1kg |
| FX20VE | 2.0kW | 242mm | 229mm | 109mm | 1.1kg |
| FX20VL | 2.0kW | 242mm | 229mm | 109mm | 1.1kg |

FXIPX4 main dimensions (mm)



| Model | Loading | Height | Width | Depth | Weight |
|-----------|---------|--------|-------|-------|--------|
| FX20IPX4 | 2.0kW | 267mm | 250mm | 131mm | 1.4kg |
| FX20EIPX4 | 2.0kW | 267mm | 250mm | 131mm | 1.4kg |

Colour

White.

Installation

Two upper keyhole slots are provided together with a third fixing hole to secure the heater to the wall. The heaters are supplied without cable.

IP rating

FX models: IPX2. Product should be mounted at a minimum height of 600mm if installed in zone 3 of a location containing a bath or shower (BS7671: 2001 section 601).

FXIPX4 models: Splashproof IPX4 for bathroom use.

Electrical

All installations must be in accordance with current IEE wiring regulations.

Construction

Double insulated plastic case. Moulded in flame retardant self extinguishing grade nylon.

Safety protection

Manually resettable thermal overload cut-out and thermal fuselink provide double protection against overheating for any reason.

Model FX20V

