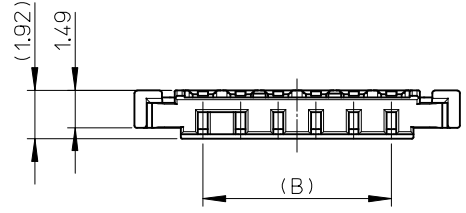
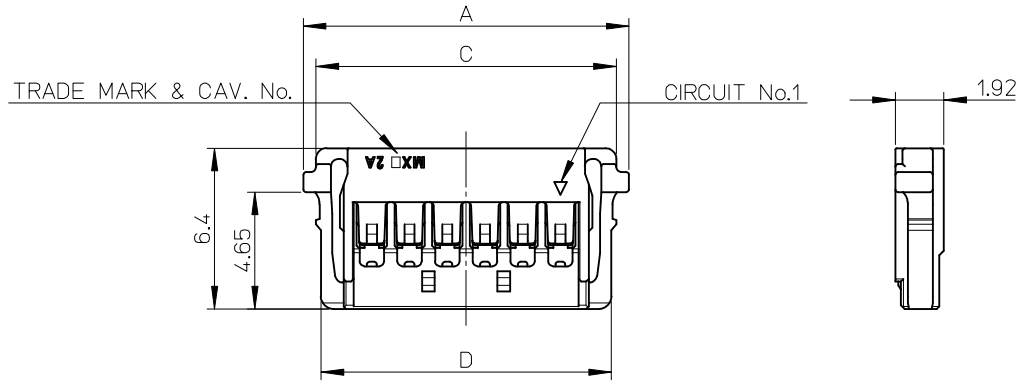
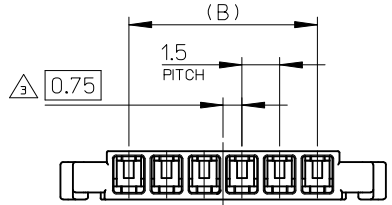


- NOTES.
1. 嵌合相手 : 504050****
MATE WITH : 504050****
 2. 適合ターミナル : 504052****
APPLICABLE TERMINAL : 504052****
 3. 偶数極に適用
APPLY EVEN CIRCUIT PRODUCTS.
 4. 材質
MATERIAL
耐熱性樹脂 UL94-V0 BLACK
HEATPROOF RESIN UL94-V0 BLACK
 5. ELV及RoHS適合品
ELV AND RoHS COMPLIANT.



20.55	20.95	16.5	21.95	5040511201	12
17.55	17.95	13.5	18.95	5040511001	10
14.55	14.95	10.5	15.95	5040510801	8
13.05	13.45	9.0	14.45	5040510701	7
11.55	11.95	7.5	12.95	5040510601	6
10.05	10.45	6.0	11.45	5040510501	5
8.55	8.95	4.5	9.95	5040510401	4
D	C	B	A	ORDER No.	CIRCUIT

CONNECTOR SERIES No. : 504051****

REVISED EC NO: J2015-1139 DRWNK:CHIKANO 2015/03/05 CHKD:KASAKAWA 2015/03/05 APPR:NUKITA 2015/03/06	GENERAL TOLERANCES (UNLESS SPECIFIED)		DIMENSION STYLE MM ONLY		SCALE 5:1	DESIGN UNITS METRIC	THIRD ANGLE PROJECTION
	0.25 UNDER	±0.03	DRAWN BY	DATE	TITLE		
	0.25 OVER 0.5 UNDER	±0.05	THANYU	2012/03/29	1.5 WIRE TO BOARD CONN. R/A H=2MM REC CRIMP HOUSING		
	0.5 OVER 1.0 UNDER	±0.1	CHECKED BY	DATE			
	1.0 OVER 10 UNDER	±0.2	KASAKAWA	2012/03/29			
10 OVER 30 UNDER	±0.25	APPROVED BY	DATE	DOCUMENT NO.		SHEET NO.	
30 OVER	±0.3	Y01TO	2012/04/18	SD-504051-001		1 OF 1	
ANGULAR	±3 °	MATERIAL NO.		SEE CHART			
DRAFT WHERE APPLICABLE MUST REMAIN WITHIN DIMENSIONS			SIZE A3	THIS DRAWING CONTAINS INFORMATION THAT IS PROPRIETARY TO MOLEX INCORPORATED AND SHOULD NOT BE USED WITHOUT WRITTEN PERMISSION			