



# New Product Announcement

---

## AL8862

## 60V Buck LED Driver with Dimming Functions

The AL8862 is a step-down DC-DC converter designed to drive LEDs with a constant current, that operates with an input supply voltage from 5V to 60V. It provides an externally adjustable output current up to 1A.

The AL8862 integrates a low  $R_{DS(ON)}$  power switch and a high-side output current sensing circuit.

The maximum output current of AL8862 is set via an external resistor connected between the VIN and SET input pins. Dimming is achieved by applying either a DC voltage or a PWM signal at the CTRL input pin.

It is available in the thermally enhanced SO-8EP package.



### The Diodes' Advantage

**The AL8862 is a step down DC-DC converter that provides an externally adjustable output current up to 1A.**

- **Integrated 60V/0.4Ω power MOSFET supports LED current up to 1A**  
Requires fewer external components to achieve higher efficiency  
Supports high power applications
- **Input voltage range from 5V to 60V**  
Delivers a wide range of input voltages to support a broad spectrum of applications.
- **Dimming range from 0% to 100% for PWM dimming**  
Broad dimming range capability
- **Built-in protections against LED Short/Open, thermal overload (OTP) protections ensure for a reliable system.**  
Provides a reliable system performance

### Applications

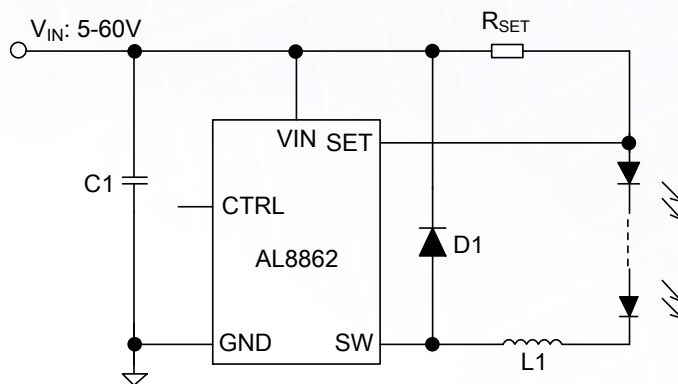
- Industrial Lighting
- Architectural Lighting
- External Driver with Multiple Channels



# New Product Announcement

## AL8862

### Typical Application Circuit



### Product Portfolio

Part Number	Min. Input Voltage	Max. Input Voltage	Max. Output Current	Reference Voltage Accuracy	Switching Frequency	Efficiency	Ambient Temperature Range	Package
	V	V	A	+/- %	MHz			
AL8862	5	60	1	4	1	>95	-40~ +105	SO-8EP
AL8843	4.5	40	3	4	1	>95	-40~ +105	SO-8EP
AL8860/1	4.5	40	1.5	4	1	>95	-40~ +105	TSOT25 SOT89 MSOP-8EP

**To find out more information:**

For complete family: <https://www.diodes.com/products/power-management/led-drivers/medium-voltage-dc-dc-led-drivers/>

Product Page: <https://www.diodes.com/part/AL8862>

Datasheet: <https://www.diodes.com/assets/Datasheets/AL8862.pdf>

### Ordering Information

Part Number	Package Code	Package	Tape and Reel	
			Quantity	Part Number Suffix
AL8862SP-13	SP	SO-8EP	2,500/Tape & Reel	-13