

**Ordering number FA11905\_TINA3-S**

Family	Tina3	FWHM	16.5 degrees
Type	Assembly	Efficiency	87 %
LED	NVSxx19A	cd/lm	6.800
Color	White	Gerber File	Available
Diameter	16.1 mm		
Height	11.4 mm		
Style	Round		
Optic Material	PMMA		
Holder Material	PC		
Fastening	Pin, tape		
Status	Ready		

**Ordering number FA11824\_TINA3-W**

Family	Tina3	FWHM	41 degrees
Type	Assembly	Efficiency	93 %
LED	NVSxx19A	cd/lm	1.370
Color	White	Gerber File	Available
Diameter	16.1 mm		
Height	6.9 mm		
Style	Round		
Optic Material	PMMA		
Holder Material	PC		
Fastening	Pin, tape		
Status	Ready		

**Ordering number FA11825\_TINA3-WW**

Family	Tina3	FWHM	59 degrees
Type	Assembly	Efficiency	93 %
LED	NVSxx19A	cd/lm	0.860
Color	White	Gerber File	Available
Diameter	16.1 mm		
Height	6.9 mm		
Style	Round		
Optic Material	PMMA		
Holder Material	PC		
Fastening	Pin, tape		
Status	Ready		

**Ordering number FA11826\_TINA3-WWW**

Family	Tina3	FWHM	78 degrees
Type	Assembly	Efficiency	91 %
LED	NVSxx19A	cd/lm	0.550
Color	White	Gerber File	Available
Diameter	16.1 mm		
Height	6.9 mm		
Style	Round		
Optic Material	PMMA		
Holder Material	PC		
Fastening	Pin, tape		
Status	Ready		



**PRODUCT DATASHEET**  
**Tina3 series**  
last update 9/4/2013



**NOTE: The typical divergence will be changed by different color, chip size and chip position tolerance. The typical total divergence is the full angle measured where the luminous intensity is half of the peak value.**



## PRODUCT DATASHEET

### Tina3 series

last update 9/4/2013



#### GENERAL INFORMATION

- Product series especially designed & optimized for NVSxx19A series of LEDs.
- Special care taken to make light distribution as uniform as possible.
- Lens material optical grade PMMA with high UV and temperature resistance. Allows use of high current and temperature conditions.

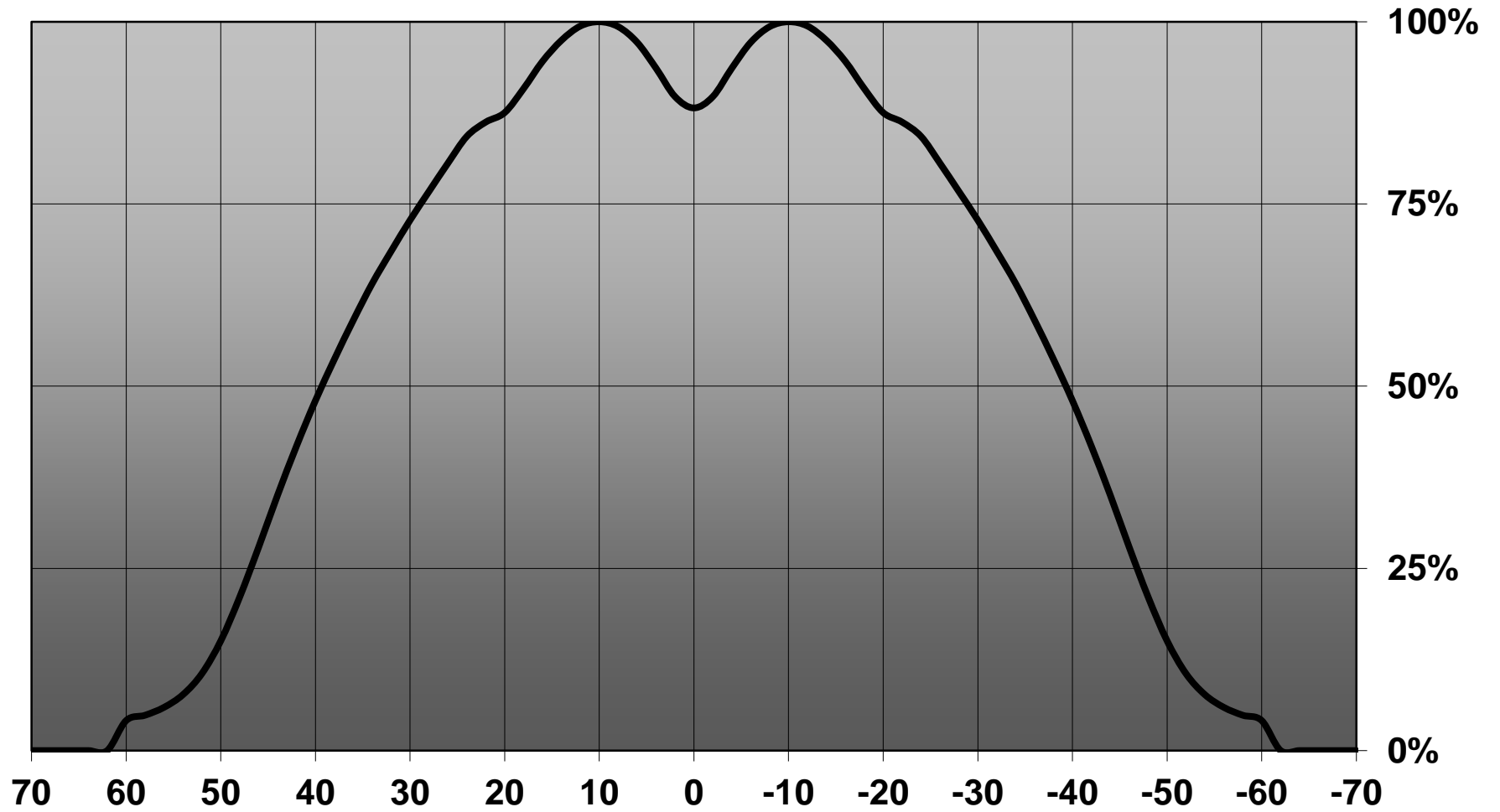
Please find more information about used material from below:

[http://ledil.fi/sites/default/files/Documents/Technical/Material/PMMA%20N%20UL94\\_Yellow%20Card.pdf](http://ledil.fi/sites/default/files/Documents/Technical/Material/PMMA%20N%20UL94_Yellow%20Card.pdf)

<http://ledil.fi/sites/default/files/Documents/Technical/Material/PMMA%20N%20PLEXIGLAS-Datasheet.pdf>

- Optic holder molded by high quality PC material (120 degrees of Celcius / 248 degrees of Fahrenheit).

Relative intensity of FA11826\_Tina3-WWW-XP-G



D

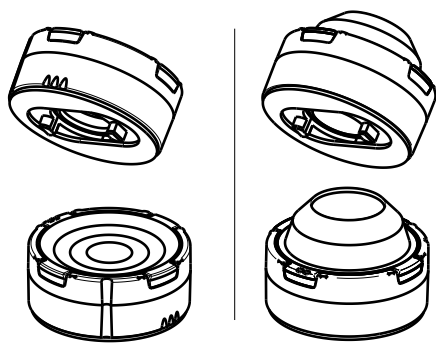
C

B

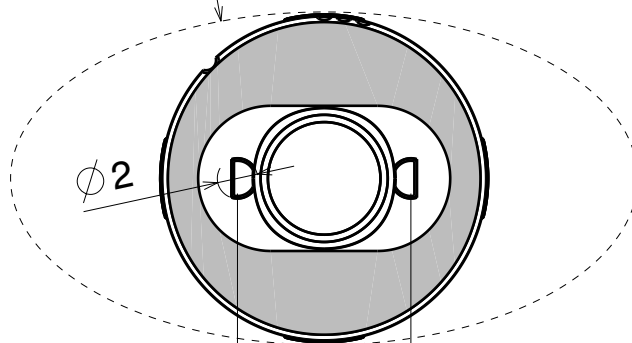
A

4

4



Oval beam direction

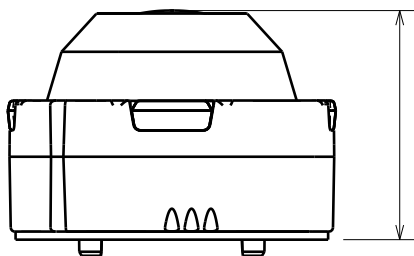


8.6

c / c

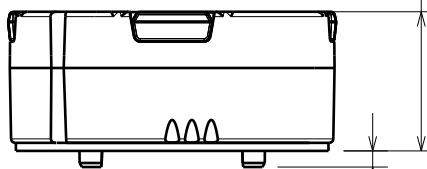
3

3



11.4

Spot version height

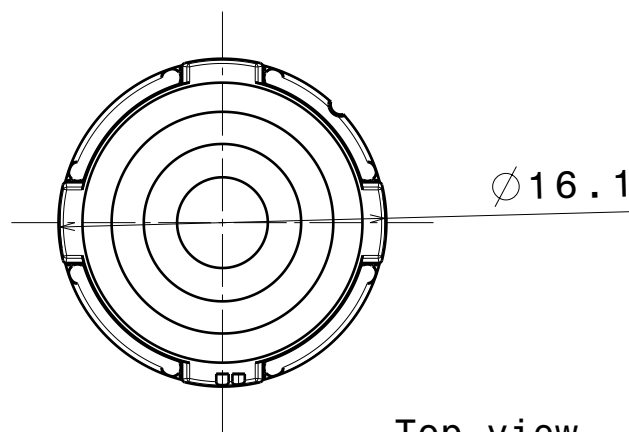


6.9

0.8

2

2



16.1

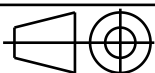
Top view

Tolerances if not otherwise shown  
 According to DIN ISO 2768-1  
 Linear measures:  
 Up to 30mm class F, otherwise class M.  
 According to DIN ISO 2768-2  
 Form and position: class K

LEDiL

Ledil Oy  
 Salorankatu 10  
 FIN 24240 SALO  
 Finland

THIRD ANGLE PROJECTION:



DRAWING TITLE

TINA3 Datasheet

This drawing is the property  
 of LEDiL Oy. It may not be  
 reproduced, copied or  
 communicated without a written  
 agreement with LEDiL Oy."

SIZE

A4

PART NUMBER

-

SCALE

4:3

WEIGHT

-

SHEET

1/1

D

A

1

1