



Mounts Userguide

Product Overview

Thank you for purchasing a Heavy Duty Mounting Clamp or Swivel Mount. If you have any problems or require help when using these mounts please call us on +44 (0)1495 212213 or contact your local representative.



Heavy Duty Mounting Clamp

The heavy duty mounting clamp has parallel and vertical adjustment which allows the user to aim the laser in any required direction or angle, the robust aluminium construction also assists in conducting heat away from the laser body as well as preventing movement due to shock and vibration. The base plate has a series of threaded holes to allow the heavy duty clamp to be securely fastened to stable surface.

There is a four different size heavy duty mounting clamps available that covers all Ø11mm, Ø14mm, Ø15mm or Ø19mm lasers.



Swivel Mount

Provides the user with up and down tilt movement as well as $\pm 45^\circ$ swivel. The base plate has a series of holes which allows the clamp to be fixed directly onto a machine or workbench. There is two different size swivel mounts available that covers all Ø11mm and Ø15mm lasers.

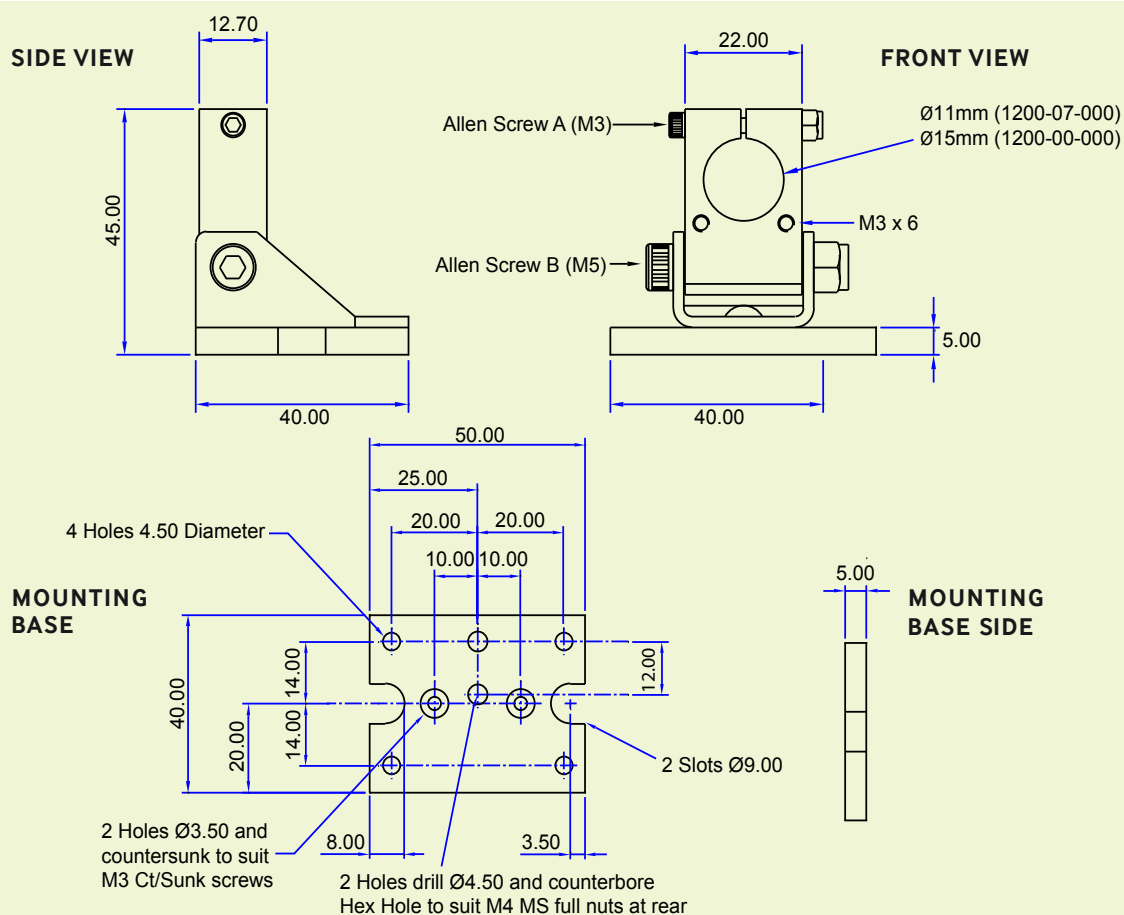
Swivel Mount

The below instructions are suitable for RS2107336 and RS213-3641.

Mounting your laser in the Swivel Mounting Clamp (See drawing A)

1. Secure the mounting base to a surface
 - a. You can use 2 x $\varnothing 9$ mm slots, 4 x $\varnothing 4.5$ mm holes, and/or 2 x $\varnothing 3.5$ mm countersunk holes to achieve this. If mounting via $\varnothing 3.5$ mm countersunk holes, the swivel bracket must be removed from the base and then reattached after mounting.
2. Loosen Allen screw A (M3)
3. Slide your laser into the mounting hole and then tighten Allen screw A
4. Loosen Allen screw B (M5)
5. Adjust tilt angle and then tighten Allen screw B
6. Loosen 2 x M4 screws attaching swivel bracket to base
7. Adjust swivel angle and then tighten 2 x M4 screws remains with the user.

A) Swivel Mounting Clamp $\varnothing 11$ & 15mm



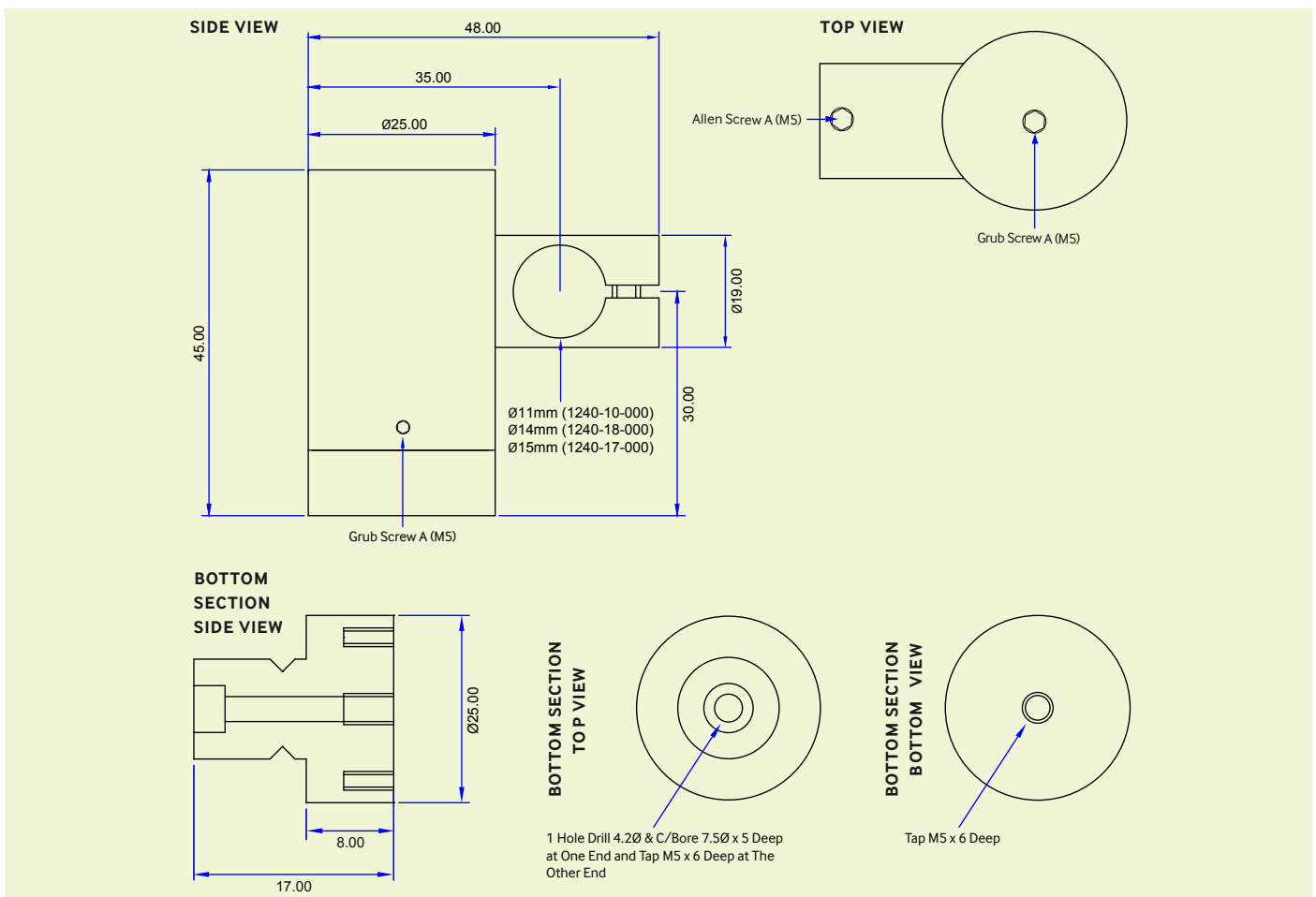
Heavy Duty Mounting Clamp

The below instructions are suitable for RS697-3604, RS2107338, RS2107337, RS105-091 and RS127-1551

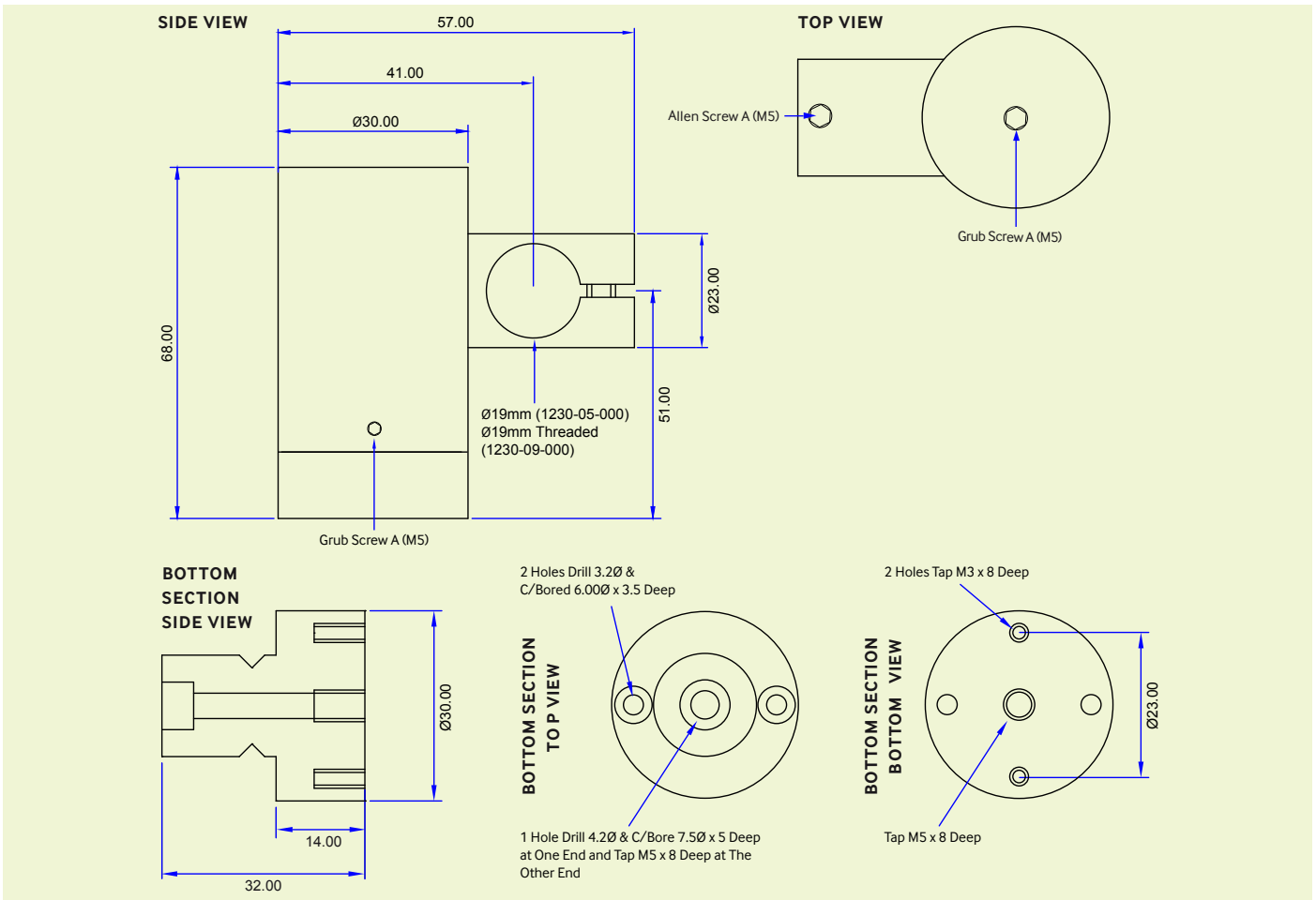
Mounting your laser in the Heavy Duty Mounting Clamp (See drawing B&C)

1. Secure the clamp to a surface. There are two methods:
 - a. Screw an M5 stud to the bottom of the base, or
 - b. Remove the base by removing 2 x grub screw B with the supplied Allen key, then thread an M5 cap screw through the top of the base. Then re-attach the base to the body of the clamp.
2. Loosen Allen screw A with the supplied Allen key
3. Slide your laser into the mounting hole and then tighten Allen screw A
4. Loosen grub screw A
5. Adjust the vertical angle of your laser and then tighten grub screw A
6. Loosen 2 x grub screw B. This will allow the main body of the mount to be rotated independently of the base
7. Adjust the horizontal angle of your laser and then tighten 2 x grub screw B

B Heavy Duty Mounting Clamp Ø11,14 & 15mm



C) Heavy Duty Mounting Clamp Ø19mm



Manufacturing
Operations Certified
to ISO9001

T: +44 (0)1495 212213
F: +44 (0)1495 214004
E: sales@globallasertech.com
www.globallasertech.com

Global Laser Ltd
Unit 9-10
Roseheyworth Business Park
Abertillery, Gwent NP13 1SP UK