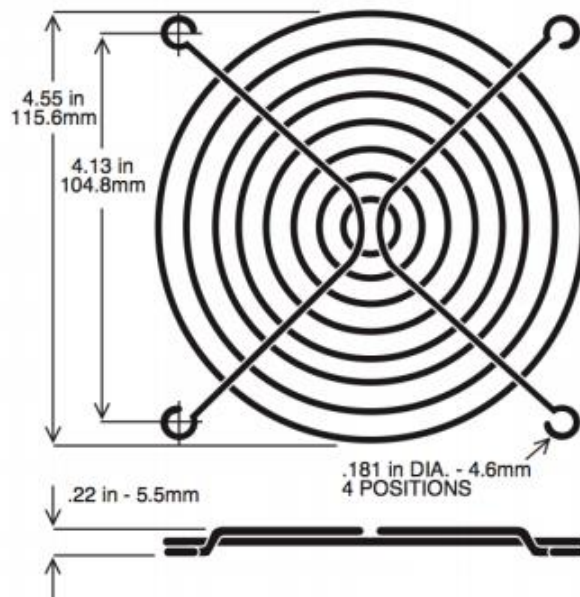
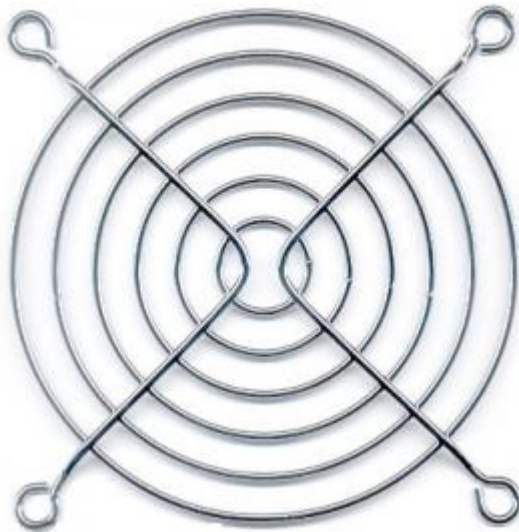


# Datasheet

## Finger Guard 120mm

RS Stock number 737-3986

Dimensions: (mm)



## Specification

### G109-15A

WIRE DIAMETER:  
RING DIA: 1.8mm  
RIB DIA: 1.8mm  
FINISH: BRIGHT NICKEL CHROME

### PART NO. G109-15A/PK

10-PACK G109-15A GUARDS, BOXED

### G109-15AB

WIRE DIAMETER:  
RING DIA: 1.8mm  
RIB DIA: 1.8mm  
FINISH: BLACK

### PART NO. G109-15AB/PK

10-PACK G109-15AB GUARDS, BOXED

#### NOTES:

1. MATERIAL: C1008 BRIGHT BASIC WIRE
2. WELD JOINTS TO WITHSTAND 88LBS PULL FORCE
3. GENERAL TOLERANCE UNLESS NOTED +/- 0.5mm
4. PART MEETS 6.35mm PLUG GAUGE TEST