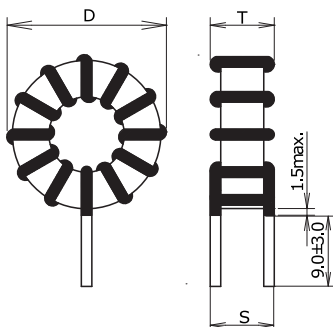


**KEMET Part Number: HHBC24W-2R4A0174V**  
(UALC4W2R1A0311)

KEMET, HHBC, AC Line Filters, Normal Mode, 174 uH, 20%



#### Dimensions

<b>D</b>	57.6mm MAX
<b>T</b>	30.9mm MAX
<b>LL</b>	9mm +/-3mm
<b>S</b>	24mm NOM

#### Packaging Specifications

<b>Packaging:</b>	Tray
<b>Packaging Quantity:</b>	45
<b>Weight:</b>	245 g

#### General Information

<b>Series:</b>	HHBC
<b>Style:</b>	Through-Hole
<b>Features:</b>	Noise Solution, Switching Power Supply Outlets, DC-DC Converter
<b>RoHS:</b>	Yes
<b>Miscellaneous:</b>	50 (K) Temperature Rise Max.

#### Specifications

<b>Inductance:</b>	174 uH
<b>Inductance Tolerance:</b>	20%
<b>Current:</b>	20 A
<b>Temperature Range:</b>	-40/+125°C
<b>DC Resistance:</b>	11.8 mOhms