



Main

Range of product	Harmony XB5
Bezel material	Plastic
Product or component type	Annunciator
Mounting diameter	22 mm
Head type	Standard

Complementary

[Us] rated supply voltage	230...240 V (+/- 10 %)
Supply circuit type	AC
Supply frequency	50 Hz
Current consumption	<= 18 mA
Signalling type	Continuous or intermittent tone
Resistance to high pressure washer	7000000 Pa at 55 °C, distance: 0.1 m
Height	30 mm
Width	30 mm
Depth	60 mm
Product weight	0.035 kg

Environment

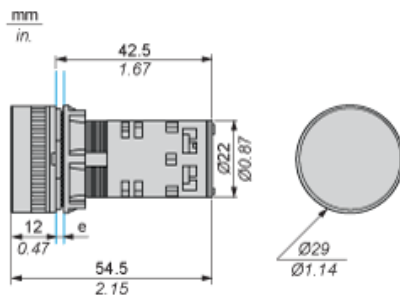
Noise level	85 dB 4 kHz 85 dB 6.8 kHz
Protective treatment	TH
Ambient air temperature for storage	-40...70 °C
Ambient air temperature for operation	-25...70 °C
Overvoltage category	Class II conforming to IEC 60536
Electrical shock protection class	Class II conforming to IEC 60536
IP degree of protection	IP40 conforming to IEC 60529
NEMA degree of protection	NEMA 1

IK degree of protection	IK03 conforming to EN 50102 IK03 conforming to IEC 50102
Standards	JIS C 4520 UL 508 EN 60947-5-1 CSA C22.2 No 14 IEC 60947-5-4 EN 60947-5-4 EN 60947-1 IEC 60947-5-1 IEC 60947-1
Product certifications	RINA CSA GL LROS (Lloyds register of shipping) UL listed DNV BV

Contractual warranty

Warranty period	18 months
-----------------	-----------

Dimensions



e: Clamping thickness: 1 to 6 mm / 0.04 to 0.24 in.

Panel Cut-out for Buzzer

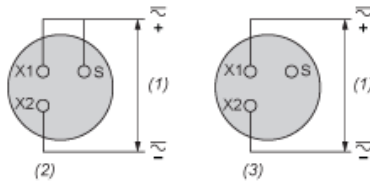
Connection by Screw Clamp Terminals

(1) Diameter on finished panel or support

(2) $\text{Ø}22.5$ mm recommended ($\text{Ø}22.3 \text{ }_0^{+0.4}$) / $\text{Ø}0.89$ in. recommended ($\text{Ø}0.88 \text{ in. }_0^{+0.016}$)

Connections	a in mm	a in in.	b in mm	b in in.
By screw clamp terminals or plug-in connector	40	1.57	30	1.18

Cabling of Annunciators



- (1) Supply
- (2) Intermittent
- (3) Continuous