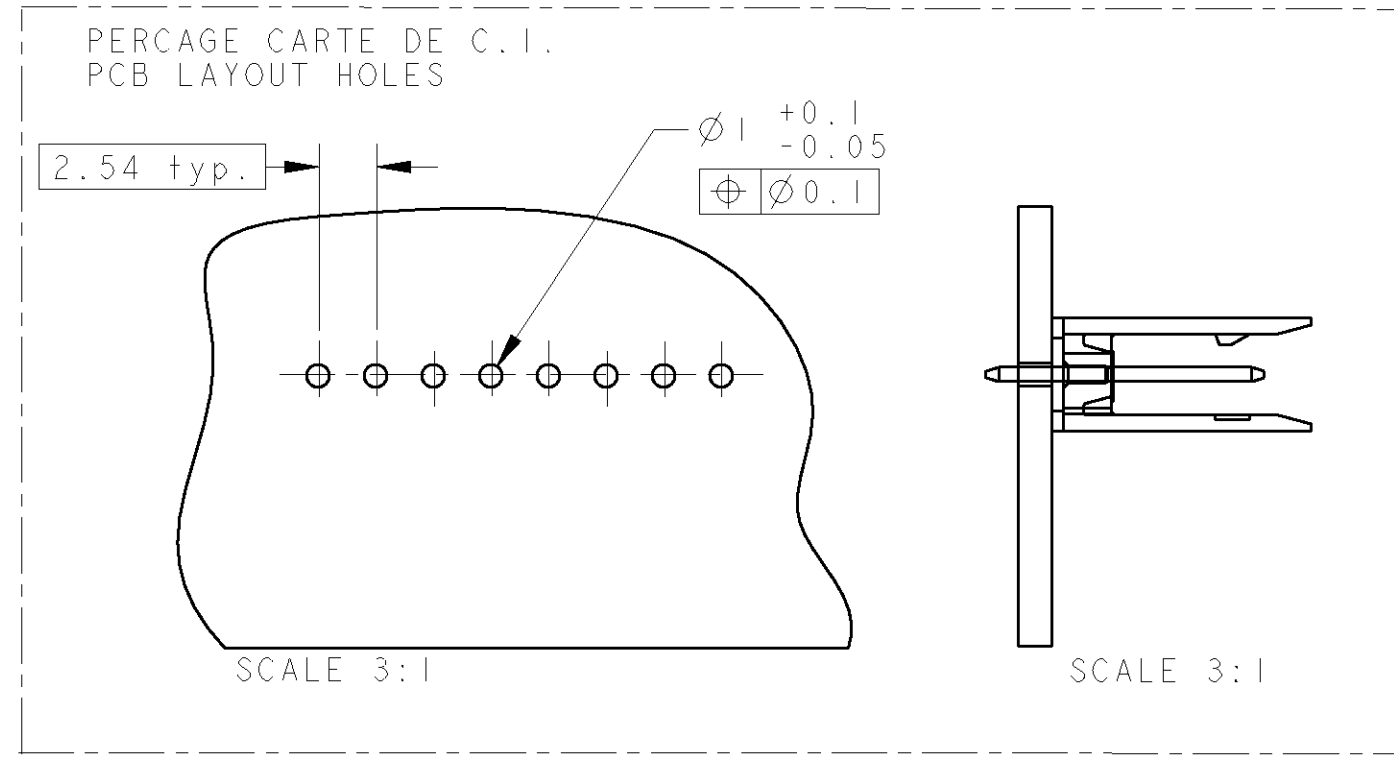
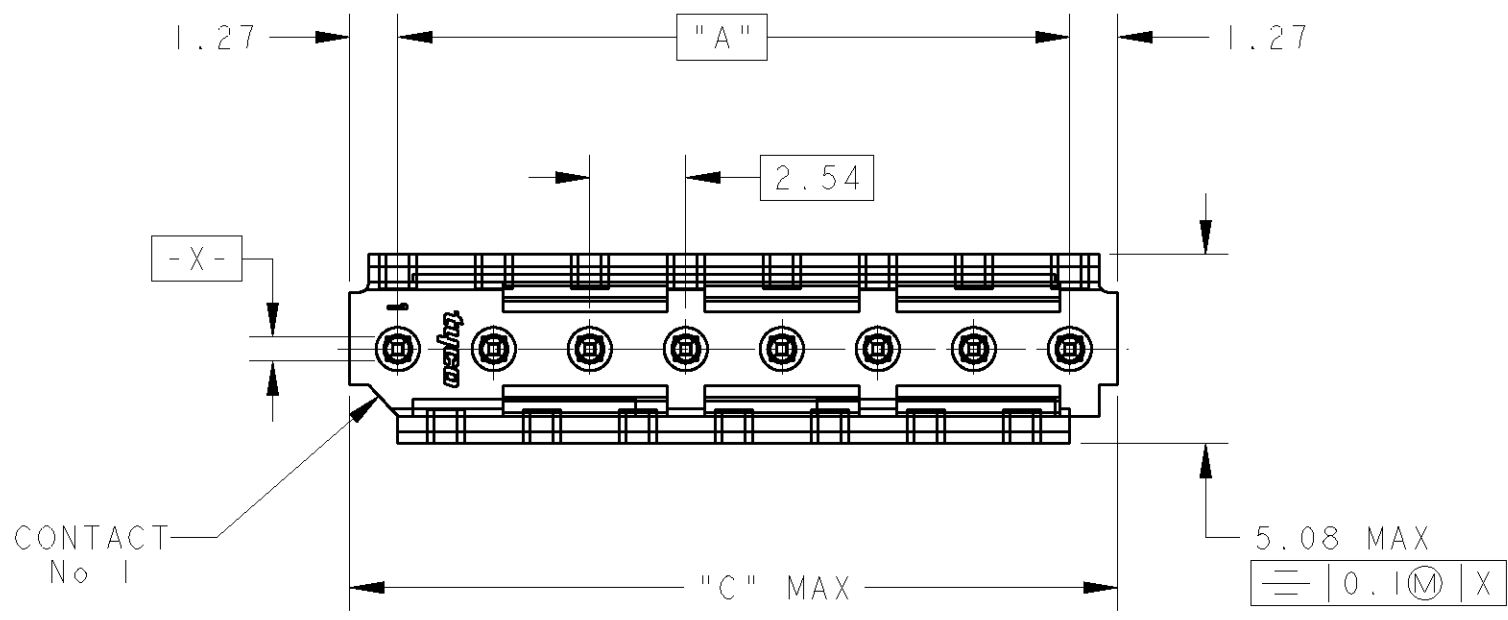
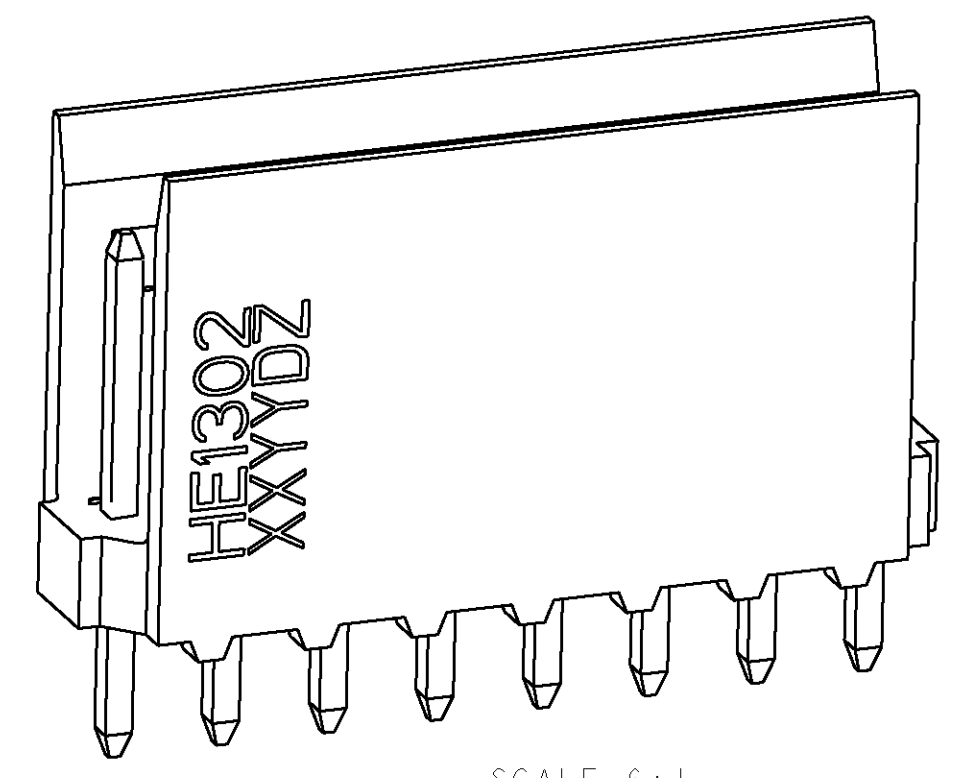
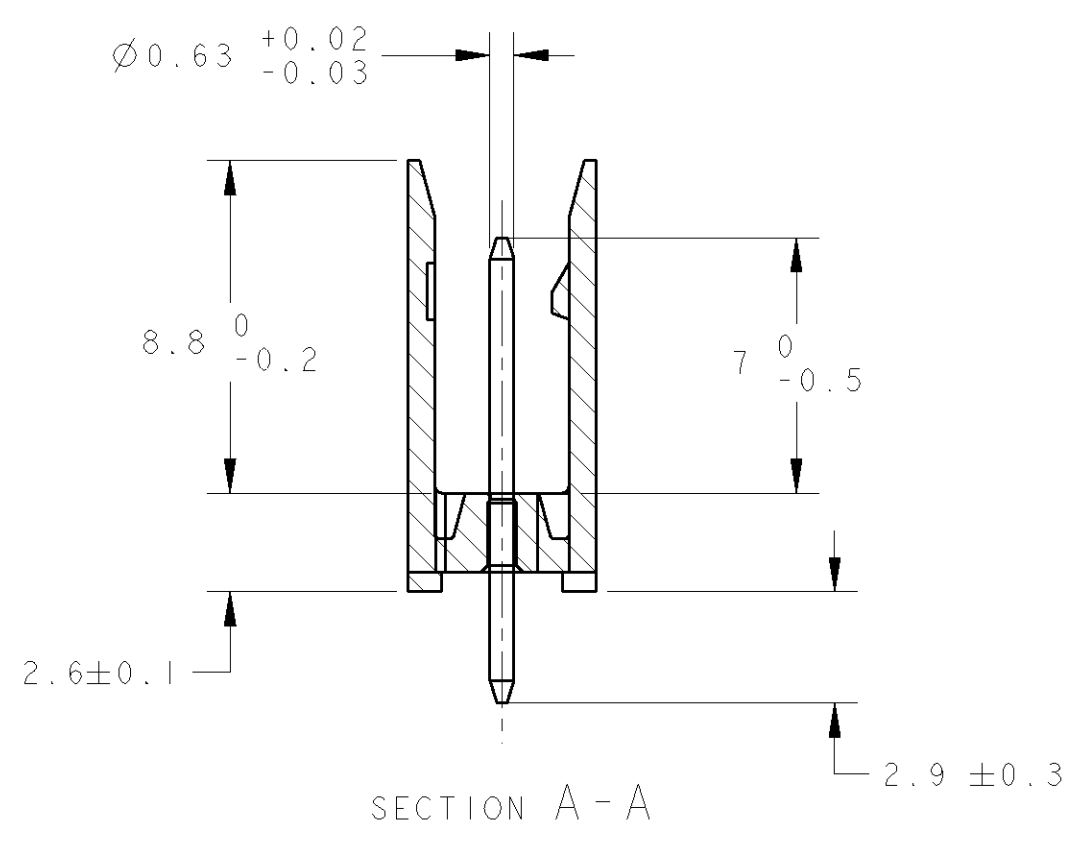
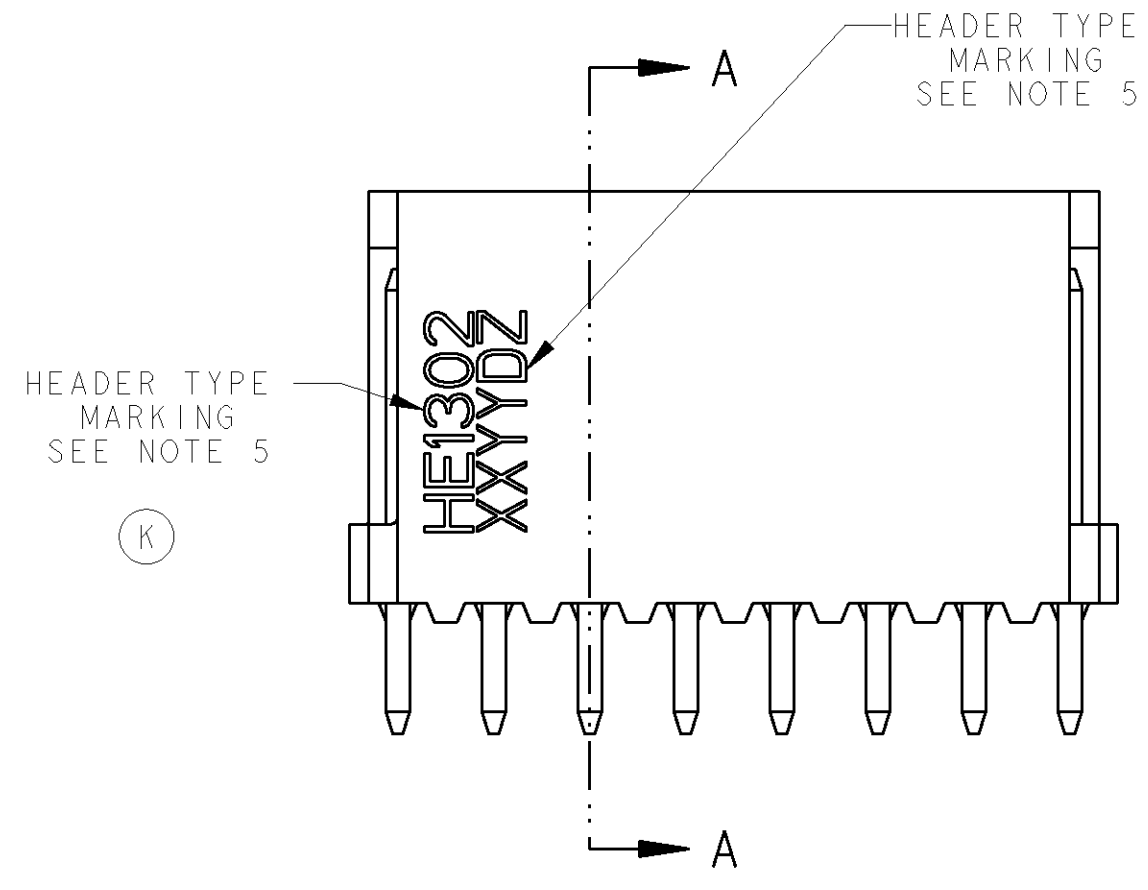


THIS DRAWING IS UNPUBLISHED.
 DIFFUSION RESTREINTE
 (C) COPYRIGHT

RELEASED FOR PUBLICATION
 LIBRE A LA DIFFUSION
 ALL RIGHTS RESERVED.
 TOUS DROITS RESERVES

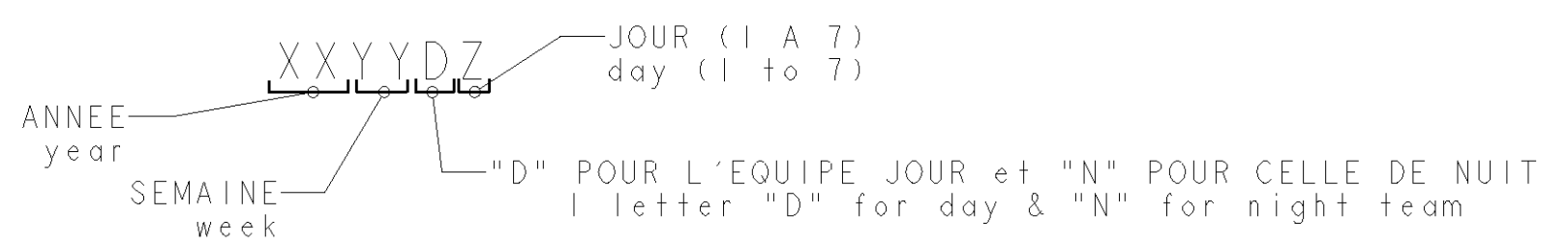
LOC	DIST	REVISIONS			
P	LTR	DESCRIPTION MODIFICATIONS	DATE	DWN DESS.	APVD APP.
F	7	K1 REVISED PER ECO-11-005150	19APR11	RK	HMR



45.72	43.18	18	1-281696-8	*
43.18	40.64	17	1-281696-7	
38.10	35.56	15	1-281696-5	*
30.48	27.94	12	1-281696-2	*
25.40	22.86	10	1-281696-0	*
20.32	17.78	8	0-281696-8	*
17.78	15.24	7	0-281696-7	
15.24	12.70	6	0-281696-6	*
12.70	10.16	5	0-281696-5	*
10.16	7.62	4	0-281696-4	*
7.62	5.08	3	0-281696-3	*
5.08	2.54	2	0-281696-2	*
C	A	Nb DE POS	PART NUMBER	
DIMENSIONS				

NOTES:

- CES EMBASES SONT PREVUES POUR ETRE ACCOUPLEES AVEC LES FICHES "HE1402" SIMPLE RANGEE.
(These headers are designed to be mated with "HE1402" connectors single row)
- LES REFERENCES SUIVIES D'UN * SONT LES VERSIONS NORMALISEES SELON LA NORME CEI 603-8
(The parts numbers followed by * are covered by the international standard IEC 603-8)
- REVETEMENT DES CONTACTS: ETAIN PUR SUR NICKEL
(Contacts plating: lead free tin over nickel)
- MATIERE PLASTIQUE: TERMO-PLASTIQUE HAUTE TEMPERATURE, UL-94V0, COULEUR BLEUE
(Plastic material: High temperature thermoplastic, UL-94V0, Blue color)
MATIERE DES CONTACTS: BRONZE PHOSPHOREUX
(Contacts material: phosphor bronze)
- MARQUAGE DU TYPE D'EMBASE (HE1302) A L'ENCRE NOIRE
(type marking (HE1302) with black ink)
- MARQUAGE DE LA DATE A L'ENCRE NOIRE :
(date code marking with black ink)



DIMENSIONS: mm		TOLERANCES UNLESS OTHERWISE SPECIFIED: TOLERANCES NON SPECIFIEES (SUIV. NB DE DECIMALES) 0 PLC/DEC: ± 1 PLC/DEC: ±0.3 2 PLC/DEC: ± 3 PLC/DEC: ± 4 PLC/DEC: ± ANGLES ±°		DWN/DESSINE 22NOV2000 C. COMBEDOUZON CHK/VERIFIE 22NOV2000 I. CORRIOLU APVD/APROUVE 22NOV2000 Y. PETRONIN		NAME TITRE	
MATERIAL/MATIERE SEE/VOIR NOTE 4		FINISH/FINITION SEE/VOIR NOTE 3		PRODUCT SPEC SPEC. PRODUIT 108-15053		APPLICATION SPEC SPEC. APPLICATION	
WEIGHT MASSE APPROX. -		CAGE CODE 00779		DRAWING NO No PLAN C-281696		RESTRICTED TO RESERVE A -	
CUSTOMER DRAWING /PLAN CLIENT		UNIQUEMENT POUR REFERENCE		SCALE Echelle 5:1		SHEET FEUILLE	
						REV K1	

STE TE Connectivity

HEADERS HE13,
SINGLE ROW, STRAIGHT