

(MR) Miniature Rectangular Connectors (Continued)

PC Board Vertical Pin Headers

.165 [4.19] Centerline spacing

Material

Housing—Nylon, Natural (Color—Brick Red)

Flammability Rating—UL94V-0

Contacts—Phosphor bronze
Solder tail diameter .040 [1.02]

Related Product Data

Product Specification

108-1078 (MR) Miniature Rectangular Headers

Dimensions (2 and 3 Circuit, In-Line; 4, 6, 9, 12 and 15 Circuit, Matrix)
— page 118

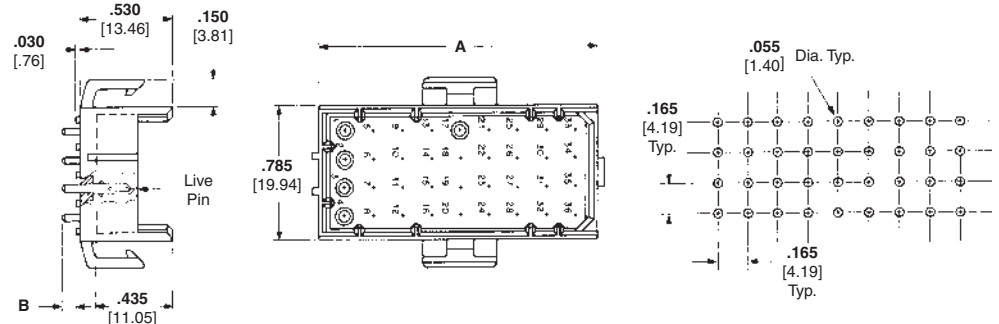
Performance Characteristics—
pages 109-110

Vertical Pin Headers and Recommended PC Board Hole Layouts—pages 117-118

Technical Documents—pages 109 and 205-206

Mating Socket Housings—pages 113-114

20, 24 and 36 Circuit, Matrix



Recommended PC Board Hole Layout

| Number of Circuits | Board Thickness | Dimensions | | Header Part Numbers | | Mates with Socket Housing Part No. |
|--------------------|-----------------|----------------|--------------|---------------------|----------------------------|------------------------------------|
| | | A | B | Tin Finish | Duplex Finish ¹ | |
| 2 In-Line | .062 1.57 | .455 11.56 | .120 3.05 | 640497-1 | 2-640497-2 | 1-640517-0 |
| | .120 3.05 | .455 11.56 | .180 4.57 | 640497-3 | 2-640497-4 | |
| 3 In-Line | .062 1.57 | .620 15.75 | .120 3.05 | 640498-1 | 2-640498-2 | 1-640518-0 |
| | .120 3.05 | .620 15.75 | .180 4.57 | 640498-3 | 2-640498-4 | |
| 4 | .062 1.57 | .455 11.56 | .120 3.05 | 640499-1 | 2-640499-2 | 1-640519-0 |
| | .120 3.05 | .455 11.56 | .180 4.57 | 640499-3 | 2-640499-4 | |
| 6 | .062 1.57 | .620 15.75 | .120 3.05 | 640500-1 | 2-640500-2 | 1-640520-0 |
| | .120 3.05 | .620 15.75 | .180 4.57 | 640500-3 | 2-640500-4 | |
| 9 | .062 1.57 | .620 15.75 | .120 3.05 | 640501-1 | 2-640501-2 | 1-640521-0 |
| | .120 3.05 | .620 15.75 | .180 4.57 | 640501-3 | 2-640501-4 | |
| 12 | .062 1.57 | .785 19.94 | .120 3.05 | 640502-1 | 2-640502-2 | 1-640522-0 |
| | .120 3.05 | .785 19.94 | .180 4.57 | 640502-3 | 2-640502-4 | |
| 15 | .062 1.57 | .950 24.13 | .120 3.05 | 640503-1 | 2-640503-2 | 1-640523-0 |
| | .120 3.05 | .950 24.13 | .180 4.57 | 640503-3 | 2-640503-4 | |
| 20 | .062 1.57 | .950 24.13 | .120 3.05 | 640504-1 | 2-640504-2 | 1-640524-0 |
| | .120 3.05 | .950 24.13 | .180 4.57 | 640504-3 | 2-640504-4 | |
| 24 | .062 1.57 | 1.115 28.32 | .120 3.05 | 640505-1 | 2-640505-2 | 1-640525-0 |
| | .120 3.05 | 1.115 28.32 | .180 4.57 | 640505-3 | 2-640505-4 | |
| 36 | .062 1.57 | 1.610 40.89 | .120 3.05 | 640506-1 | 2-640506-2 | 1-640526-0 |
| | .120 3.05 | 1.610 40.89 | .180 4.57 | 640506-3 | 2-640506-4 | |

¹Duplex Finish—Plated with .000030 [.000762] min. gold in mating area, matte tin on solder tail end over .000050 [.00127] min. nickel underplate on entire contact.

Note: All part numbers are RoHS Compliant.

High Density
(MR) Miniature Rectangular Connectors
.165 [4.20] Centerline