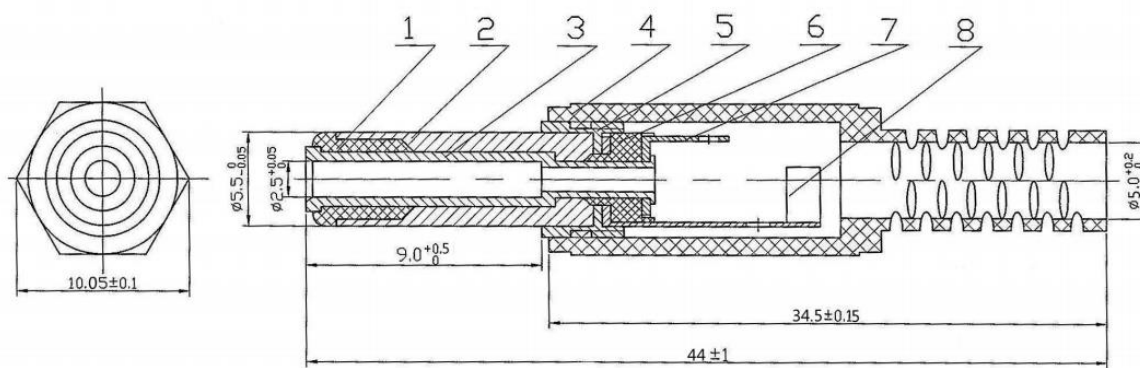


Datasheet

DC Power Plug Rated At 1 A, 12 V, Cable Mount

RS Stock number [771-9174](#)

Dimensions: (mm)



Specifications

No	Components	Qty	Material	Finish
1	Body	1	ABS	
2	Sleeve	1	H65	Nickel Plated
3	Core	1	H59-1	Nickel Plated
4	Plastic Shell	1	LDPE	
5	Brass Base	1	H59-1	Nickel Plated
6	Insulator	1	ABS	
7	Small Terminal	1	H62	Nickel Plated
8	Big Terminal	1	H62	Nickel Plated