

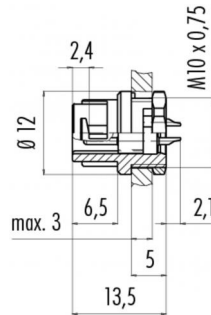
Product description **Bayonet male panel mount connector, Contacts: 8, Shielding is not possible, solder, IP40**

Area **Bayonet series 710**
Order number **09 9481 00 08**

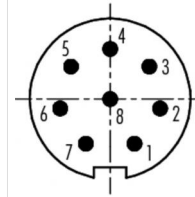
Illustration



Scale drawing



Contact arrangement



	X	Y
1	0,90	-1,65
2	1,85	-0,35
3	1,45	1,20
4	0,00	1,85
5	-1,45	1,20
6	-1,85	-0,35
7	-0,90	-1,65
8	0,00	0,00

You can find the assembly instructions on the next page.

Technical data

General values

Connector design	male panel mount connector
Connector locking system	Bayonet
Termination	solder
Wire gauge (mm)	0.14 mm ²
Wire gauge (AWG)	26
Upper limit temperature	85 °C
Lower limit temperature	- 40 °C
Customs tariff number	85369010

Electrical values

Rated current (40 °C)	1 A
Rated voltage	125 V
Rated impulse voltage	1500 V
Pollution degree	1
Overvoltage category	II
Insulating material group	III
Insulation resistance	≥ 10 ¹⁰ Ω
EMC compliance	Shielding is not possible
Degree of protection	IP40
Mechanical operation	> 500 Mating cycles

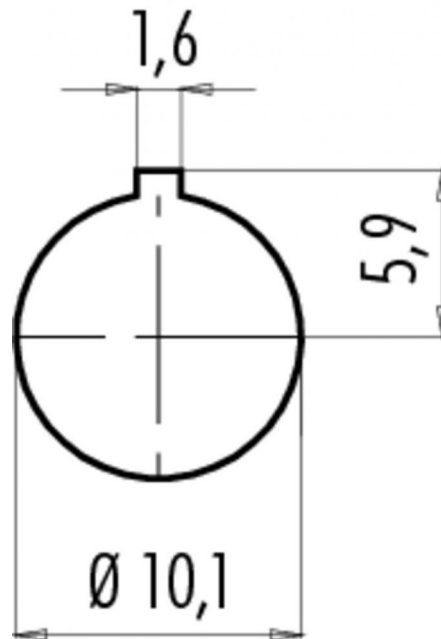
Material

Contact material	CuZn (brass)
Contact plating	Au (gold)
Contact body material	PA (UL 94 V-0)
Housing material	PA

Product description **Bayonet male panel mount connector, Contacts: 8, Shielding is not possible, solder, IP40**

Area **Bayonet series 710**
Order number **09 9481 00 08**

Assembly instructions / Panel cut-out



Product description	Bayonet male panel mount connector, Contacts: 8, Shielding is not possible, solder, IP40
Area	Bayonet series 710
Order number	09 9481 00 08

Security notices

The connector must not be connected or separated under load. Non-observance and incorrect use can result in personal injury.

The connectors are designed for use in plant, control system and electrical equipment. The end user is responsible for checking whether the connectors are suitable for use in other applications.