

Housing - HC-STA-D25-CHWS-1TTP16-EL-AL - 1424389

Please be informed that the data shown in this PDF Document is generated from our Online Catalog. Please find the complete data in the user's documentation. Our General Terms of Use for Downloads are valid (<http://phoenixcontact.com/download>)



Coupling housings D25, with single locking latch, material: Die-cast aluminum, salt water resistant, cable outlets: 1, straight, height: 68 mm, cable gland: none, support sleeve: no, 1x Pg16, Standard



Key Commercial Data

Packing unit	1 pc
GTIN	
GTIN	4055626371290
Weight per Piece (excluding packing)	182.000 g
Custom tariff number	85389099
Country of origin	China
Note	Made to Order (non-returnable)

Technical data

Dimensions

Height	68 mm
Width	30 mm
Length	80 mm

Ambient conditions

Degree of protection (IP)	IP66
	IP67
Ambient temperature (operation)	-40 °C ... 125 °C

General

Note	For contact inserts HC-D25, A16
Size	D25
Housing type	Coupling housings
Color	gray aluminum
Locking type	with single locking latch

Housing - HC-STA-D25-CHWS-1TTP16-EL-AL - 1424389

Technical data

General

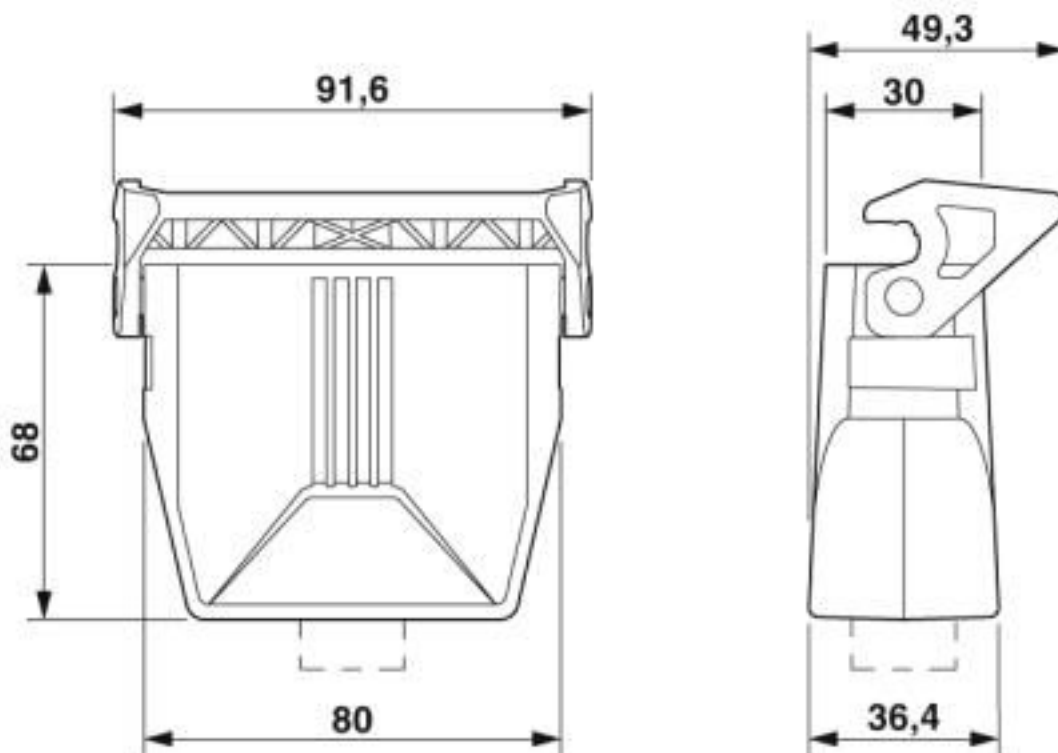
No. of cable outlets	1
Cable outlet	straight
Screw connection	none
Type of the screw connection	1x Pg16
Housing material	Die-cast aluminum, salt water resistant
Housing surface material	uncoated
Material lock	PA
Flammability rating according to UL 94	V0 (Interlock)

Environmental Product Compliance

China RoHS	Environmentally Friendly Use Period = 50 years
	For details about hazardous substances go to tab "Downloads", Category "Manufacturer's declaration"

Drawings

Dimensional drawing



Dimensional drawing

Housing - HC-STA-D25-CHWS-1TTP16-EL-AL - 1424389

Classifications

eCl@ss

eCl@ss 10.0.1	27440202
eCl@ss 5.1	27261200
eCl@ss 6.0	27261200
eCl@ss 7.0	27440202
eCl@ss 8.0	27440202
eCl@ss 9.0	27440202

ETIM

ETIM 5.0	EC000437
ETIM 6.0	EC000437
ETIM 7.0	EC000437

Approvals

Approvals

Approvals

UL Recognized / cUL Recognized / DNV GL / EAC / cULus Recognized


Ex Approvals

Approval details

UL Recognized		http://database.ul.com/cgi-bin/XYV/template/LISEXT/1FRAME/index.htm	E255026
---------------	---	---	---------

cUL Recognized		http://database.ul.com/cgi-bin/XYV/template/LISEXT/1FRAME/index.htm	E255026
----------------	---	---	---------

DNV GL		https://approvalfinder.dnvgl.com/	TAE000037S
--------	---	---	------------

EAC		EAC-Zulassung
-----	---	---------------

Housing - HC-STA-D25-CHWS-1TTP16-EL-AL - 1424389

Approvals

cULus Recognized



Accessories

Accessories

Full screw connection

Cable gland - G-INS-PG16-S68N-NNES-S - 1411174



Cable gland, cable gland material: Nickel-plated brass, external cable diameter 10 mm ... 14 mm, shielding: no, connecting thread: Pg16, color: silver, with O-ring

Cable gland - G-INSEC-PG16-S68N-NNES-S - 1411199



Cable gland, cable gland material: Nickel-plated brass, external cable diameter 10 mm ... 14 mm, shielding: yes, connecting thread: Pg16, color: silver, with O-ring