

Cable gland - VC-M-KV-PG16/M25 ST



1644407

<https://www.phoenixcontact.com/gb/products/1644407>

Please be informed that the data shown in this PDF document is generated from our Online Catalog. Please find the complete data in the user documentation. Our General Terms of Use for Downloads are valid.



Cable screw connection support Pg16/M25, metal; for thread M25 and rubber seals of size Pg16

Commercial Data

Item number	1644407
Packing unit	10 pc
Minimum order quantity	10 pc
Note	Made to Order (non-returnable)
Sales Key	ABLAZA
Product Key	ABLAZA
Catalog Page	Page 44 (C-2-2013)
GTIN	4017918904708
Weight per Piece (including packing)	37.77 g
Weight per Piece (excluding packing)	37.77 g
Customs tariff number	85369010
Country of origin	PL

Technical Data

Notes

Safety note

<p>Safety note</p>	<p>WARNING: The connectors may not be plugged in or disconnected under load. Ignoring the warning or improper use may damage persons and/or property.</p> <ul style="list-style-type: none"> • WARNING: Commission properly functioning products only. The products must be regularly inspected for damage. Decommission defective products immediately. Replace damaged products. Repairs are not possible. • WARNING: Only electrically qualified personnel may install and operate the product. They must observe the following safety notes. The qualified personnel must be familiar with the basics of electrical engineering. They must be able to recognize and prevent danger. The relevant symbol on the packaging indicates that only personnel familiar with electrical engineering are allowed to install and operate the product. • The products are suitable for applications in plant, controller, and electrical device engineering. • When operating the connectors in outdoor applications, they must be separately protected against environmental influences. • Assembled products may not be manipulated or improperly opened. • Only use mating connectors that are specified in the technical data of the standards listed (e.g. the ones listed in the product accessories online at phoenixcontact.com/products). • When using the product in direct connection with third-party manufacturers, the user is responsible. • For operating voltages > 50 V AC, conductive connector housings must be grounded • Ensure that the protective or functional ground has been properly connected. • VDE 0100/1.97 § 411.1.3.2 and DIN EN 60 204/11.98 § 14.1.3 are applicable when combining several circuits in a cable and/or connector • Observe the corresponding technical data. You will find information: <ul style="list-style-type: none"> o On the product o On the packing label o In the supplied documentation o Online at phoenixcontact.com/products under the product • Only use tools recommended by Phoenix Contact • The installation notes/Design In documents online on the download page at phoenixcontact.com/products must be observed for this product. • Use a protective cap to protect connectors that are not in use. The suitable accessories are available online in the accessory section of the product at phoenixcontact.com/products • Operate the connector only when it is fully plugged in. • Ensure that when laying the cable, the tensile load on the connectors does not exceed the upper limit specified in the
--------------------	---

Cable gland - VC-M-KV-PG16/M25 ST

1644407

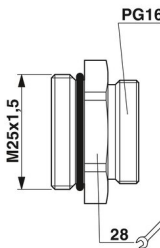
<https://www.phoenixcontact.com/gb/products/1644407>

	standards.
	<ul style="list-style-type: none">• Observe the minimum bending radius of the cable. Lay the cable without twisting it.
	<ul style="list-style-type: none">• The connector warms up in normal operation. Depending on the ambient conditions, the surface of the connector can continue to warm up. In this case, the user is responsible for posting warnings (e.g. DIN EN ISO 13732-1:2008-12).

Product properties

Product type	Half screw connection
--------------	-----------------------

Dimensions

Dimensional drawing	
Width	31.2 mm
Height	31.2 mm
Length	19 mm
Wrench size, union nut	24 mm
Thread type on seal side	Pg16

Material specifications

Material	Brass, nickel-plated
Material	TPE (Seal)
	Brass (Screw connection)
	NBR (O-ring)

Cable / line

External cable diameter	Depending on rubber seal
-------------------------	--------------------------

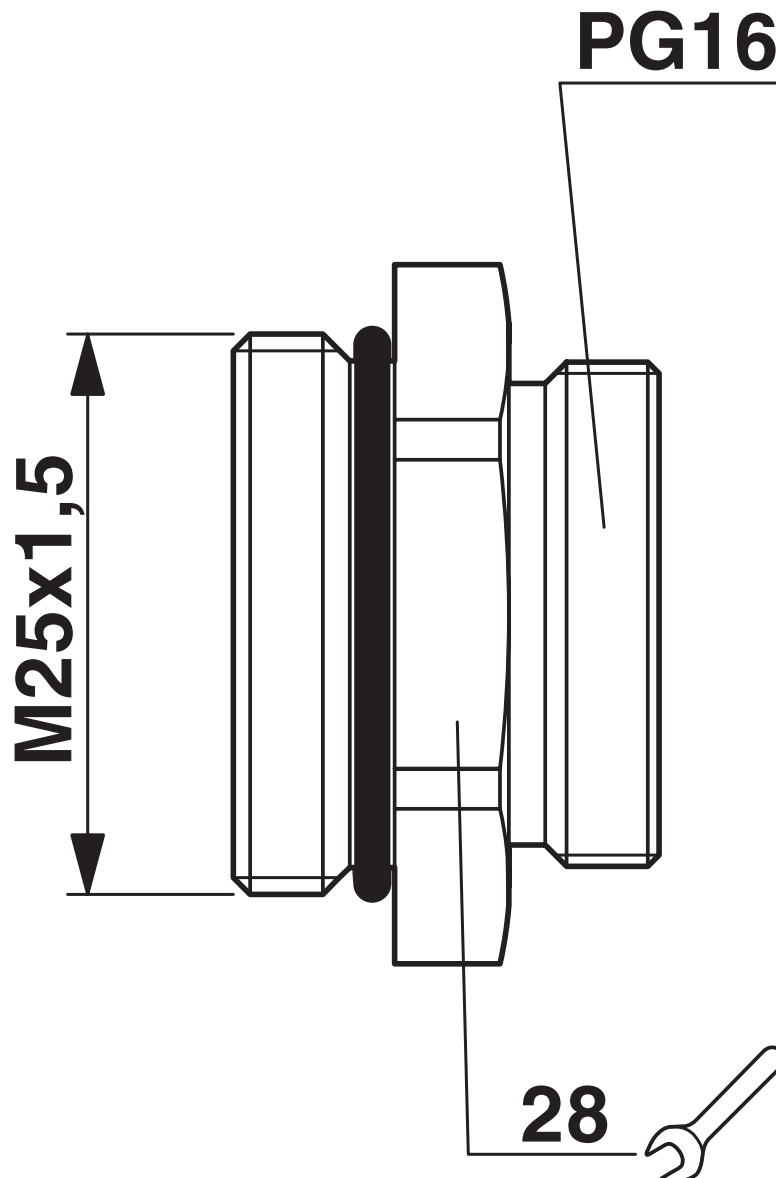
Cable gland - VC-M-KV-PG16/M25 ST

1644407

<https://www.phoenixcontact.com/gb/products/1644407>

Drawings

Dimensional drawing



Cable gland - VC-M-KV-PG16/M25 ST

1644407

<https://www.phoenixcontact.com/gb/products/1644407>



Approvals

EN EAC

Cable gland - VC-M-KV-PG16/M25 ST



1644407

<https://www.phoenixcontact.com/gb/products/1644407>

Classifications

ECLASS

ECLASS-9.0	27144432
ECLASS-10.0.1	27144432
ECLASS-11.0	27144432

ETIM

ETIM 8.0	EC000441
----------	----------

UNSPSC

UNSPSC 21.0	39121300
-------------	----------

Cable gland - VC-M-KV-PG16/M25 ST



1644407

<https://www.phoenixcontact.com/gb/products/1644407>

Environmental Product Compliance

China RoHS	Environmentally Friendly Use Period = 50 years For information on hazardous substances, refer to the manufacturer's declaration available under "Downloads"
------------	--

Cable gland - VC-M-KV-PG16/M25 ST

1644407

<https://www.phoenixcontact.com/gb/products/1644407>



Accessories

Cable gland

Cable gland - VC-K-KV-PG16 1X3/1X8 - 1885376

<https://www.phoenixcontact.com/gb/products/1885376>



Half screw connection Pg16, made of plastic, consisting of rubber seal with several holes (1 x 3 mm/1 x 8 mm) and a pressure screw, for cable screw connection support VC-M-KV-PG16....

Cable gland

Cable gland - VC-K-KV-PG16 1X3/1X9 - 1885389

<https://www.phoenixcontact.com/gb/products/1885389>



Half screw connection Pg16, made of plastic, consisting of rubber seal with several holes (1 x 6 mm/1 x 9 mm) and a pressure screw, for cable screw connection support VC-M-KV-PG16....

Cable gland - VC-M-KV-PG16/M25 ST

1644407

<https://www.phoenixcontact.com/gb/products/1644407>

Cable gland

Cable gland - VC-K-KV-PG16 1X6/1X8 - 1885392

<https://www.phoenixcontact.com/gb/products/1885392>



Half screw connection Pg16, made of plastic, consisting of rubber seal with several holes (1 x 6 mm/1 x 8 mm) and a pressure screw, for cable screw connection support VC-M-KV-PG16....

Cable gland

Cable gland - VC-K-KV-PG16 1X5/1X9 - 1885402

<https://www.phoenixcontact.com/gb/products/1885402>



Half screw connection Pg16, made of plastic, consisting of rubber seal with several holes (1 x 5 mm/1 x 9 mm) and a pressure screw, for cable screw connection support VC-M-KV-PG16....

Cable gland - VC-M-KV-PG16/M25 ST

1644407

<https://www.phoenixcontact.com/gb/products/1644407>

Cable gland

Cable gland - VC-K-KV-PG16 1X3/2X8 - 1885415

<https://www.phoenixcontact.com/gb/products/1885415>



Half screw connection Pg16, made of plastic, consisting of rubber seal with several holes (1 x 3 mm/2 x 8 mm) and a pressure screw, for cable screw connection support VC-M-KV-PG16....

Cable gland

Cable gland - VC-K-KV-PG16 1X5/2X6 - 1885428

<https://www.phoenixcontact.com/gb/products/1885428>



Half screw connection Pg16, made of plastic, consisting of rubber seal with several holes (1 x 5 mm/2 x 6 mm) and a pressure screw, for cable screw connection thread VC-M-KV-PG16....

Cable gland - VC-M-KV-PG16/M25 ST

1644407

<https://www.phoenixcontact.com/gb/products/1644407>

Cable gland

Cable gland - VC-K-KV-PG16 2X6/1X7 - 1885431

<https://www.phoenixcontact.com/gb/products/1885431>



Half screw connection Pg16, made of plastic, consisting of rubber seal with several holes (2 x 6 mm/1 x 7 mm) and a pressure screw, for cable screw connection thread VC-M-KV-PG16....

Cable gland

Cable gland - VC-K-KV-PG16 3X7 - 1885444

<https://www.phoenixcontact.com/gb/products/1885444>



Half screw connection Pg16, made of plastic, consisting of rubber seal with several holes (3 x 7 mm) and one pressure screw, for cable screw connection support VC-M-KV-PG16....

Cable gland - VC-M-KV-PG16/M25 ST

1644407

<https://www.phoenixcontact.com/gb/products/1644407>

Cable gland

Cable gland - VC-M-KV-PG16 1X3/1X8 - 1885457

<https://www.phoenixcontact.com/gb/products/1885457>



Multiple screw connection Pg16, made of metal, consisting of rubber seal with several holes (1 x 3 mm/1 x 8 mm) and a pressure screw, for cable screw connection support VC-M-KV-PG16.....

Cable gland

Cable gland - VC-M-KV-PG16 1X3/1X9 - 1885460

<https://www.phoenixcontact.com/gb/products/1885460>



Multiple screw connection Pg16, made of metal, consisting of rubber seal with several holes (1 x 3 mm/1 x 9 mm) and a pressure screw, for cable screw connection thread VC-M-KV-PG16.....

Cable gland - VC-M-KV-PG16/M25 ST

1644407

<https://www.phoenixcontact.com/gb/products/1644407>

Cable gland

Cable gland - VC-M-KV-PG16 1X6/1X8 - 1885473

<https://www.phoenixcontact.com/gb/products/1885473>



Multiple screw connection Pg16, made of metal, consisting of rubber seal with several holes (1 x 6 mm/1 x 8 mm) and a pressure screw, for cable screw connection support VC-M-KV-PG16.....

Cable gland

Cable gland - VC-M-KV-PG16 1X5/1X9 - 1885486

<https://www.phoenixcontact.com/gb/products/1885486>



Pg16 multiple screw connection, metal, comprising rubber seal with multiple holes (1 x 5 mm/1 x 9 mm) and a pressure screw, for VC-M-KV-PG16... cable glands

Cable gland - VC-M-KV-PG16/M25 ST

1644407

<https://www.phoenixcontact.com/gb/products/1644407>

Cable gland

Cable gland - VC-M-KV-PG16 1X3/2X8 - 1885499

<https://www.phoenixcontact.com/gb/products/1885499>



Multiple screw connection Pg16, made of metal, consisting of rubber seal with several holes (1 x 3 mm/2 x 8 mm) and a pressure screw, for cable screw connection support VC-M-KV-PG16.....

Cable gland

Cable gland - VC-M-KV-PG16 1X5/2X6 - 1885509

<https://www.phoenixcontact.com/gb/products/1885509>



Multiple screw connection Pg16, made of metal, consisting of rubber seal with several holes (1 x 5 mm/2 x 6 mm) and a pressure screw, for cable screw connection support VC-M-KV-PG16.....

Cable gland - VC-M-KV-PG16/M25 ST

1644407

<https://www.phoenixcontact.com/gb/products/1644407>

Cable gland

Cable gland - VC-M-KV-PG16 2X6/1X7 - 1885512

<https://www.phoenixcontact.com/gb/products/1885512>



Multiple screw connection Pg16, made of metal, consisting of rubber seal with several holes (2 x 6 mm/1 x 7 mm) and a pressure screw, for cable screw connection support VC-M-KV-PG16.....

Cable gland

Cable gland - VC-M-KV-PG16 3X7 - 1885525

<https://www.phoenixcontact.com/gb/products/1885525>



Multiple screw connection Pg16, made of metal, consisting of rubber seal with several holes (3 x 7 mm) and a pressure screw, for cable screw connection support VC-M-KV-PG16.....

Cable gland - VC-M-KV-PG16/M25 ST

1644407

<https://www.phoenixcontact.com/gb/products/1644407>

Sealing bolt

Sealing bolt - VC-KV-VB 6 - 1647556

<https://www.phoenixcontact.com/gb/products/1647556>



Sealing bolt for closing unoccupied holes in multiple gaskets for cable screw connections

Sealing bolt

Sealing bolt - VC-KV-VB 7 - 1647569

<https://www.phoenixcontact.com/gb/products/1647569>



Sealing bolt for closing unoccupied holes in multiple gaskets for cable screw connections

Cable gland - VC-M-KV-PG16/M25 ST

1644407

<https://www.phoenixcontact.com/gb/products/1644407>

Sealing bolt

Sealing bolt - VC-KV-VB 8 - 1647572

<https://www.phoenixcontact.com/gb/products/1647572>



Sealing bolt for closing unoccupied holes in multiple gaskets for cable screw connections

Sealing bolt

Sealing bolt - VC-KV-VB 9 - 1647585

<https://www.phoenixcontact.com/gb/products/1647585>



Sealing bolt for closing unoccupied holes in multiple gaskets for cable screw connections

Cable gland - VC-M-KV-PG16/M25 ST

1644407

<https://www.phoenixcontact.com/gb/products/1644407>



Sealing bolt

Sealing bolt - VC-KV-VB13 - 1647608

<https://www.phoenixcontact.com/gb/products/1647608>



Sealing bolt for closing unoccupied holes in multiple gaskets for cable screw connections

Phoenix Contact 2022 © - all rights reserved

<https://www.phoenixcontact.com>

PHOENIX CONTACT Ltd

Halesfield 13, Telford

Shropshire, TF7 4PG

01952 681700

info@phoenixcontact.co.uk