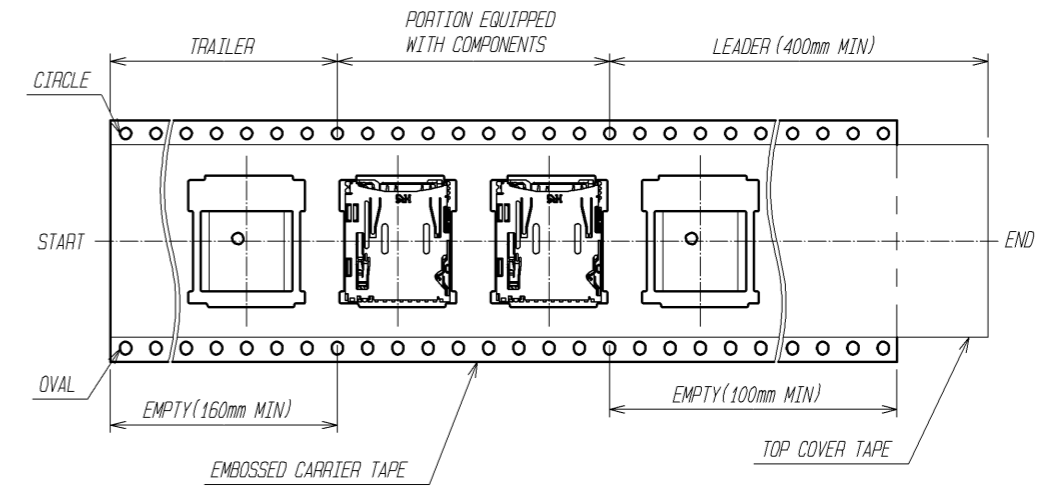
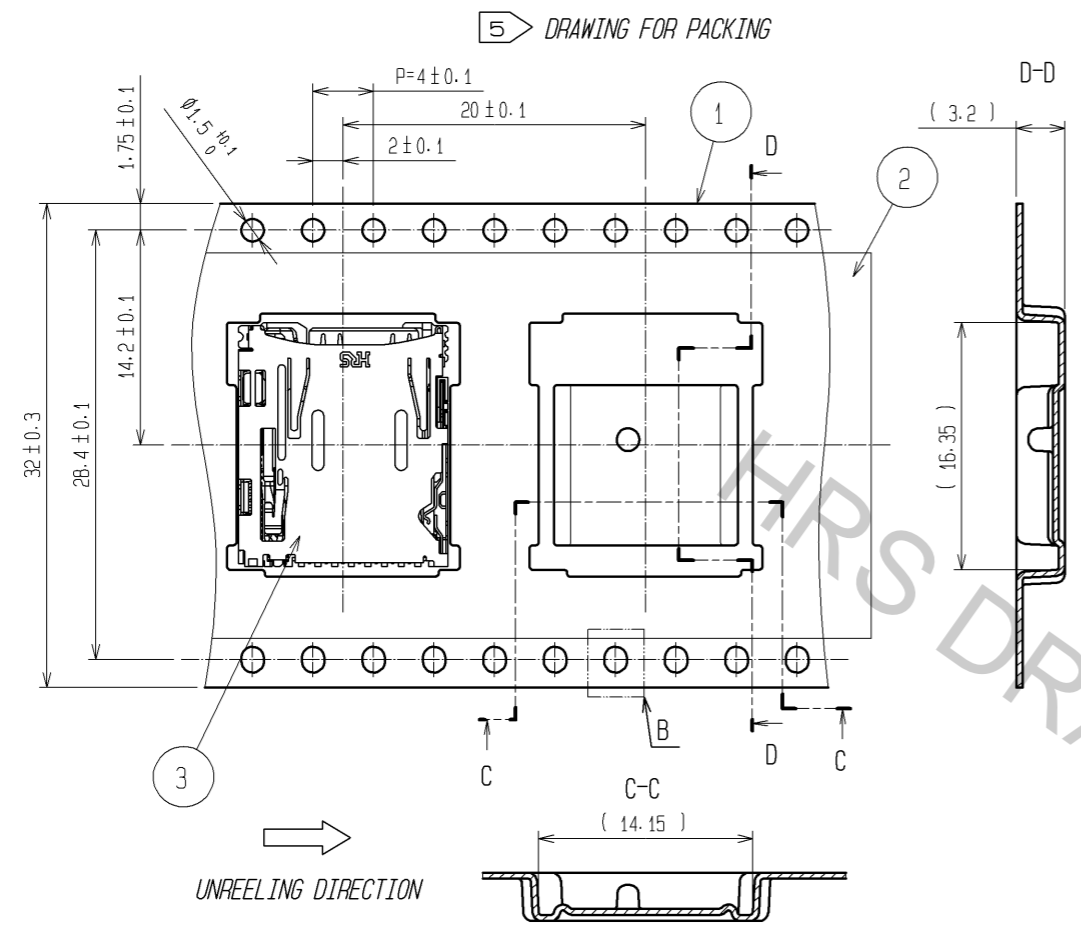


NO.	MATERIAL	FINISH	REMARKS	NO.	MATERIAL	FINISH	REMARKS
4	STAINLESS STEEL						
3	STAINLESS STEEL		MOUNTING AREA Ni0.5µm+Au0.03µm	8	STAINLESS STEEL		
2	PHOSPHOR BRONZE		CONTACT AREA Ni3µm+Au0.1µm	7	STAINLESS STEEL		
1	LCP	BLACK	UL94V-0	5, 6	PHOSPHOR BRONZE		CONTACT AREA Ni1.5µm+Au0.1µm MOUNTING AREA Ni1.5µm+Au0.03µm

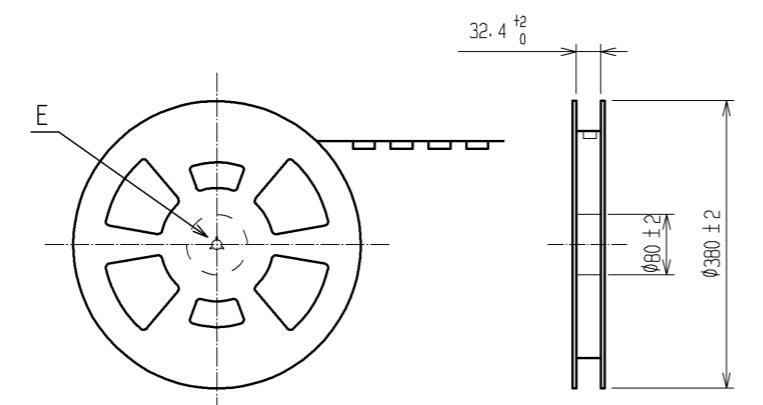
UNITS	SCALE	COUNT	DESCRIPTION OF REVISIONS	DESIGNED	CHECKED	DATE
mm	FREE	1	DIS-F-004876	TY. EDAGAWA	NH. SUGITA	10.06.22

APPROVED	DATE	DRAWING NO.
KI. AKIYAMA	10.01.07	EDC3-325165-00
NH. SUGITA	10.01.07	PART NO. DM3AT-SF-PEJM5
TY. EDAGAWA	10.01.07	CODE NO. CL609-0031-0-00
TY. EDAGAWA	10.01.07	

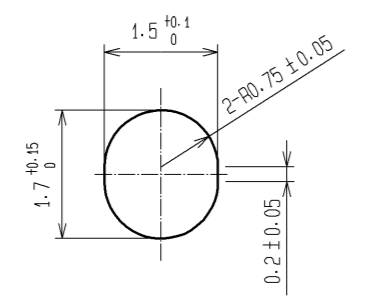
Nov.1.2016 Copyright 2016 HIROSE ELECTRIC CO., LTD. All Rights Reserved.



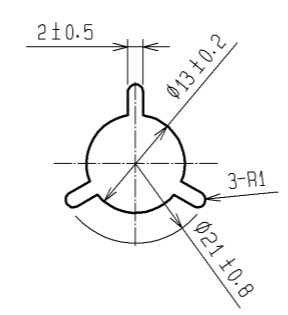
DETAIL OF REEL (1:10)



B(10:1)



E(1:1)



NOTE. **5** PACKING TYPE: TAPE AND REEL. 1500PCS PER REEL.
6 PLEASE REFER TO TECHNICAL SPECIFICATION : ETAD-F0345
 DM3AT SERIES PRODUCT INFORMATION AND HANDLING INSTRUCTIONS
 FOR THE HANDLING OF THE PRODUCT.

NO.	MATERIAL	FINISH	REMARKS
3	(CONNECTORS)		
2	POLYESTER		
1	PS		

UNITS mm		SCALE 2 : 1	COUNT 1	DESCRIPTION OF REVISIONS DIS-F-004876	DESIGNED TY. EDAGAWA	CHECKED NH. SUGITA	DATE 10.06.22
HRS HIROSE ELECTRIC CO., LTD.		APPROVED : KI. AKIYAMA 10.01.07	DRAWING NO. EDC3-325165-00				
		CHECED : NH. SUGITA 10.01.07	PART NO. DM3AT-SF-PEJM5				
		DESIGNED : TY. EDAGAWA 10.01.07	CODE NO. CL609-0031-0-00				
		DRAWN : TY. EDAGAWA 10.01.07					