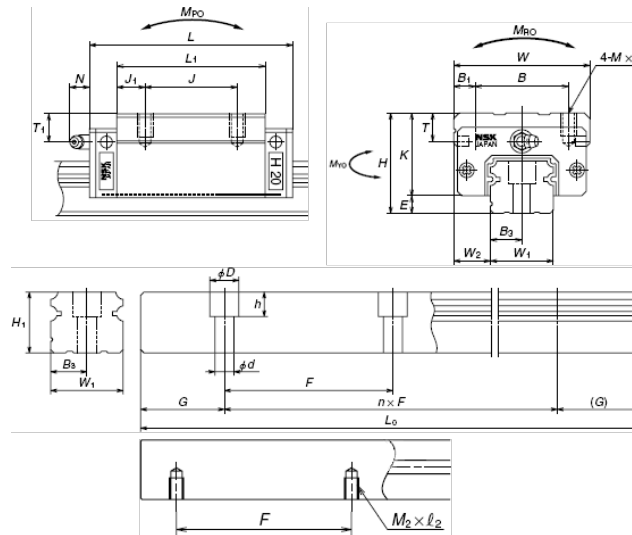


## Linear Guides NH AN-BN

AN/BN sliders with light- (Z) or medium (H) preload are standard stock items with prompt delivery

AN: Normal length, high-square type slider with tap holes on top

BN: Long length, high-square type slider with tap holes on top

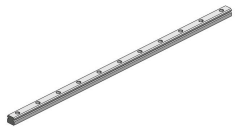


Model-No.

N1H200640LCNPCZ-20-20

Type

Linear Guide NH Series



|                                    |     |
|------------------------------------|-----|
| Size                               | 20  |
| Slider type                        | AN  |
| Number of sliders                  | 1   |
| Lubrication unit K1                | No  |
| Double seal                        | No  |
| Metal protector                    | No  |
| Material / Surface treatment       | C   |
| Length of rail                     | 640 |
| Distance to first hole center (G1) | 20  |
| Distance to last hole center (G2)  | 20  |
| Accuracy                           | PC  |
| Preload                            | Z   |
| H                                  | -   |
| E                                  | -   |
| W2                                 | -   |
| W                                  | -   |
| B                                  | -   |
| J                                  | -   |

Created: 2014-12-05 13:14:47

Address:

NSK Europe Ltd  
Harkortstrasse 15  
D-40880 Ratingen  
Germany

Phone:

Fax:

Web:

Email:

49 2102 481 0

49 2102 481 2881

<http://www.nskeurope.de>

[info-de@nsk.com](mailto:info-de@nsk.com)



|                    |           |
|--------------------|-----------|
| L                  | -         |
| L1                 | -         |
| J1                 | -         |
| K                  | -         |
| T                  | -         |
| M x l              | -         |
| Grease fitting     | -         |
| T1                 | -         |
| N                  | -         |
| Dynamic C (N)      | -         |
| Static C0 (N)      | -         |
| MRO (Nm)           | -         |
| MPO (Nm)           | -         |
| MYO (Nm)           | -         |
| Weight slider (kg) | -         |
| W1                 | 20        |
| H1                 | 18        |
| F                  | 60        |
| dxDxh              | 6x9.5x8.5 |
| M2xl2              | M6 x 10   |
| B3                 | 10        |
| G (recommended)    | 20        |
| Weight rail (kg/m) | 2.6       |